

DISASSEMBLY

1. REMOVE CLUTCH RELEASE CYLINDER KIT

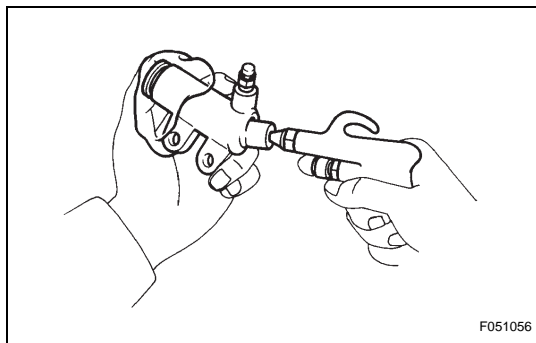
- (a) Remove the boot from the cylinder body.
- (b) Remove the push rod from the cylinder body.
- (c) Using compressed air, remove the piston together with the spring from the cylinder.

NOTICE:

Be careful not to damage the inside of the cylinder body.

- (d) Remove the bleeder plug cap from the bleeder plug.

2. REMOVE RELEASE CYLINDER BLEEDER PLUG



F051056

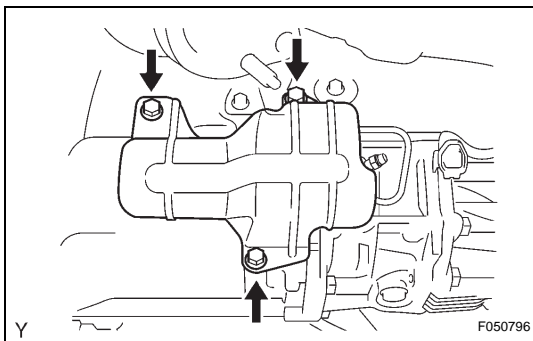
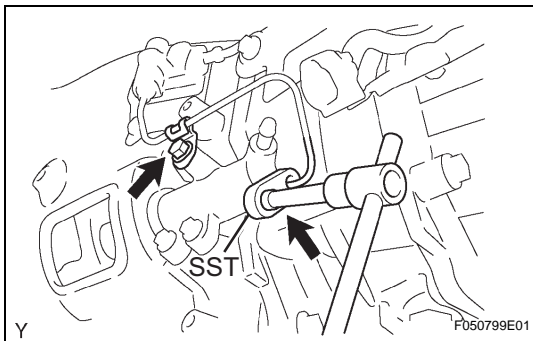
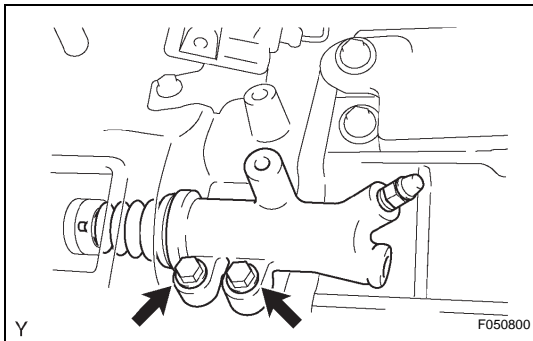
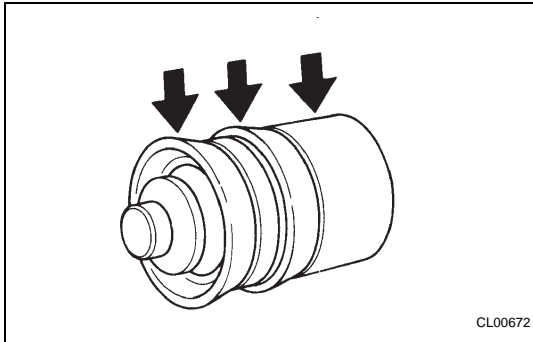
CL

REASSEMBLY

1. **INSTALL RELEASE CYLINDER BLEEDER PLUG**
Torque: 11 N*m (110 kgf*cm, 8.0 ft.*lbf)
2. **INSTALL CLUTCH RELEASE CYLINDER KIT**
 - (a) Install the bleeder plug cap onto the bleeder plug.
 - (b) Install the spring onto the cylinder body.
 - (c) Apply lithium soap base glycol grease to the portions shown in the illustration.
 - (d) Install the piston onto the cylinder body.

NOTICE:
Be careful not to damage the inside of the cylinder body.

 - (e) Install the push rod into the cylinder body.
 - (f) Install the boot onto the cylinder body.



INSTALLATION

1. **INSTALL CLUTCH RELEASE CYLINDER ASSEMBLY**
 - (a) Install the clutch release cylinder with the 2 bolts.
Torque: 12 N*m (120 kgf*cm, 8.7 ft.*lbf)
2. **CONNECT CLUTCH RELEASE CYLINDER TO FLEXIBLE HOSE TUBE**
 - (a) Using SST, connect the flexible hose tube.
SST 09023-00101
Torque: 15 N*m (155 kgf*cm, 11 ft.*lbf)
 - (b) Install the clutch line bracket.
Torque: 12 N*m (120 kgf*cm, 8.7 ft.*lbf)
3. **BLEED CLUTCH PIPE LINE**
 - (a) Fill the brake reservoir tank with brake fluid and bleed the clutch system.
Torque: 11 N*m (110 kgf*cm, 8.0 ft.*lbf)
4. **CHECK FOR CLUTCH FLUID LEAKAGE**
5. **INSTALL NO. 1 CLUTCH HOUSING COVER**
 - (a) Install the clutch housing cover No. 1 with the 3 bolts.
Torque: 12 N*m (120 kgf*cm, 8.7 ft.*lbf)