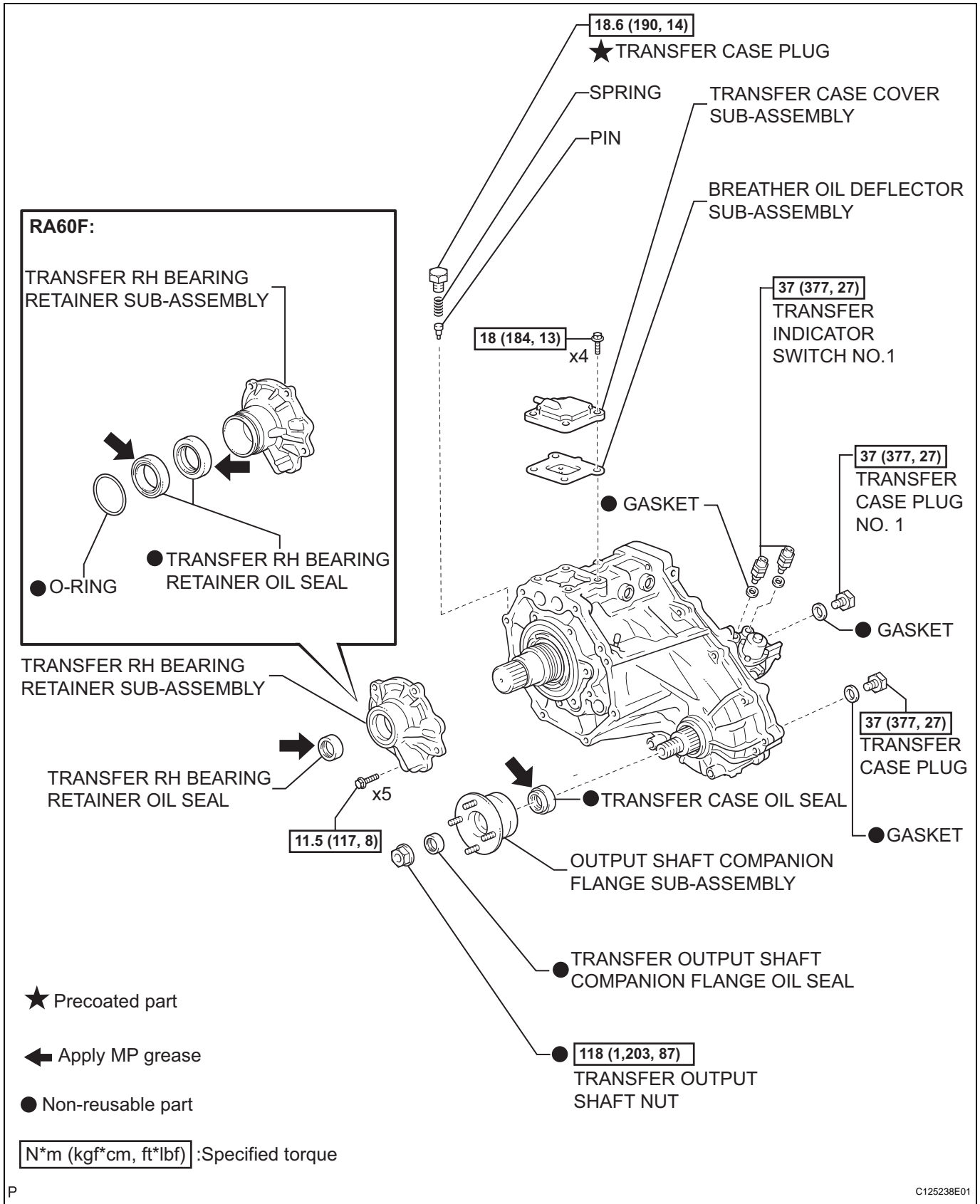


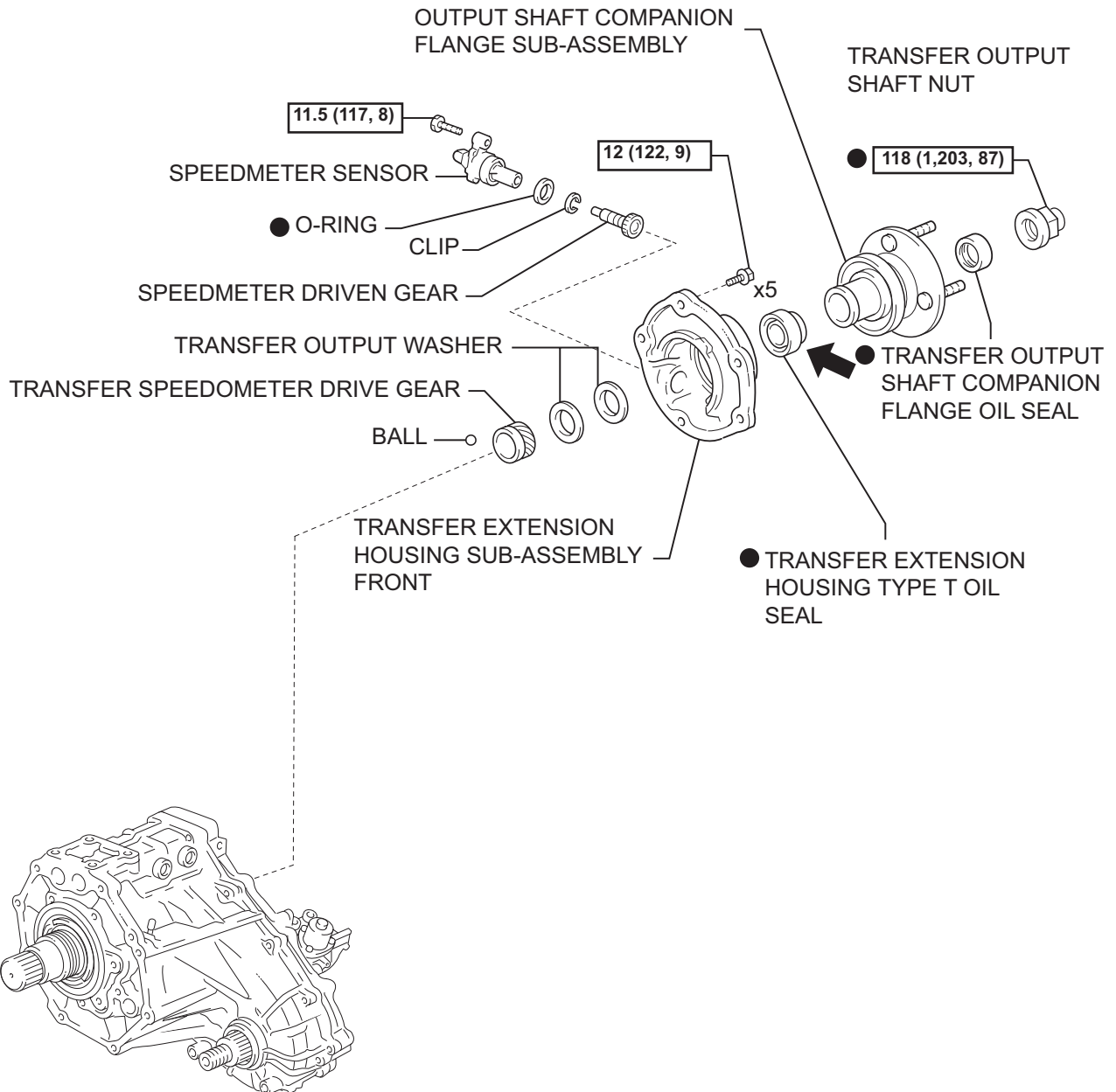
TRANSFER ASSEMBLY

COMPONENTS



TF

TF

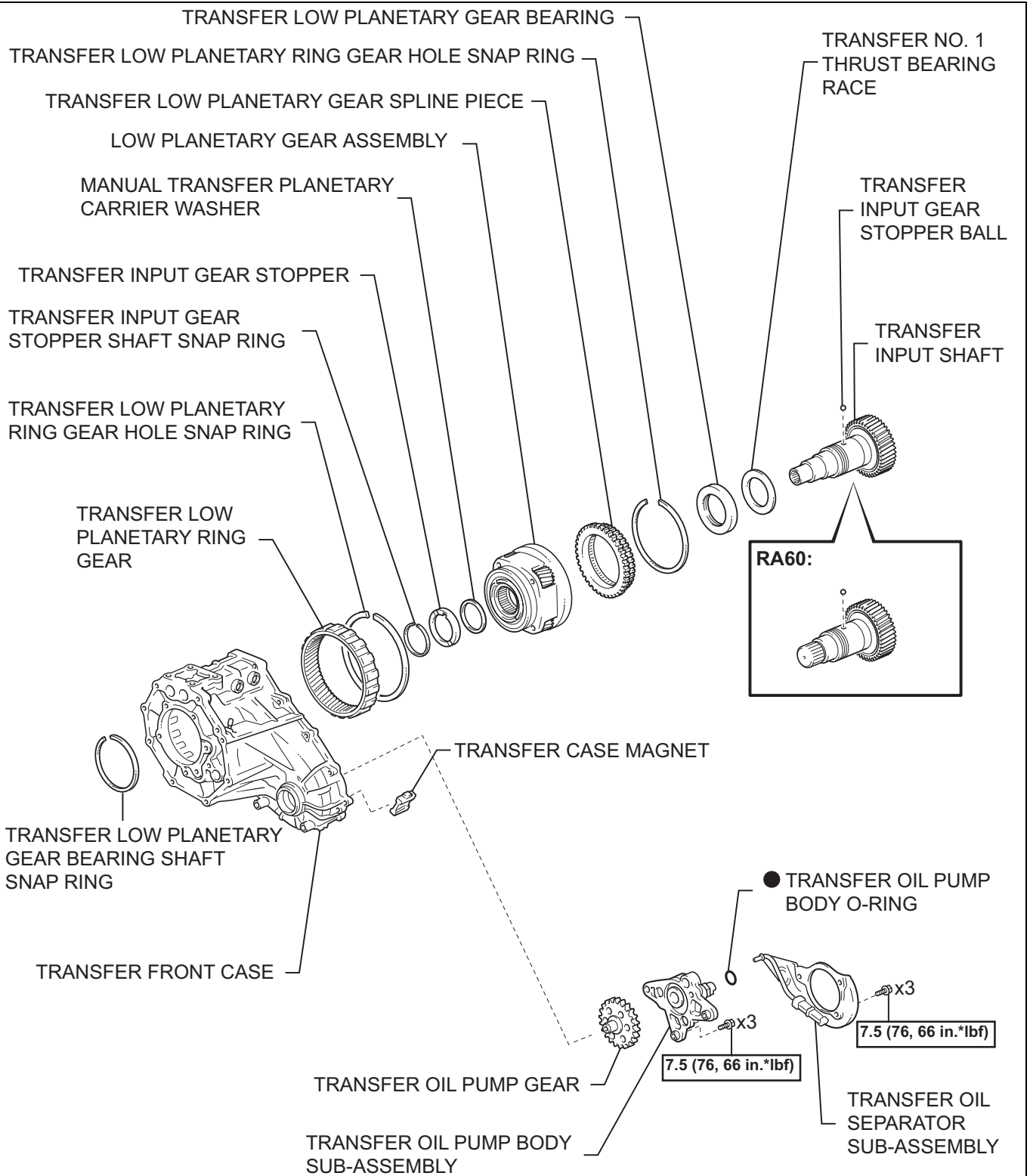


N*m (kgf*cm, ft*lbf) : Specified torque

● Non-reusable part

← Apply MP grease

TF



N*m (kgf*cm, ft*lbf) : Specified torque

● Non-reusable part

★ SHIFT DETENT BALL SPRING PLUG

18.6 (190, 14)

TRANSFER NO. 1 GEAR SHIFT FORK

COMPRESSION SPRING

SHIFT DETENT BALL

TRANSFER GEAR SHIFT FORK SHAFT SNAP RING

TRANSFER SHIFT ACTUATOR ASSEMBLY

TRANSFER OUTPUT SHAFT SNAP RING

TRANSFER SHIFT SHAFT STOPPER

CLAMP

SHIFT INTER LOCK PIN

19 (194, 14)

CLAMP

20 (204, 15)

TRANSFER NO. 2 GEAR SHIFT FORK

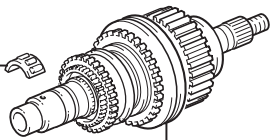
TRANSFER FRONT DRIVE SHIFT FORK SHAFT

● O-RING

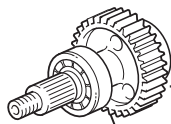
TRANSFER GEAR SHIFT FORK SHAFT SNAP RING

x12

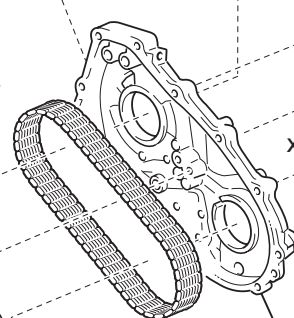
28 (286, 21)



REAR OUTPUT SHAFT ASSEMBLY



TRANSFER FRONT DRIVE CHAIN
DRIVEN SPROCKET ASSEMBLY



TRANSFER REAR CASE

TRANSFER OUTPUT SHAFT
FRONT NEEDLE ROLLER BEARING

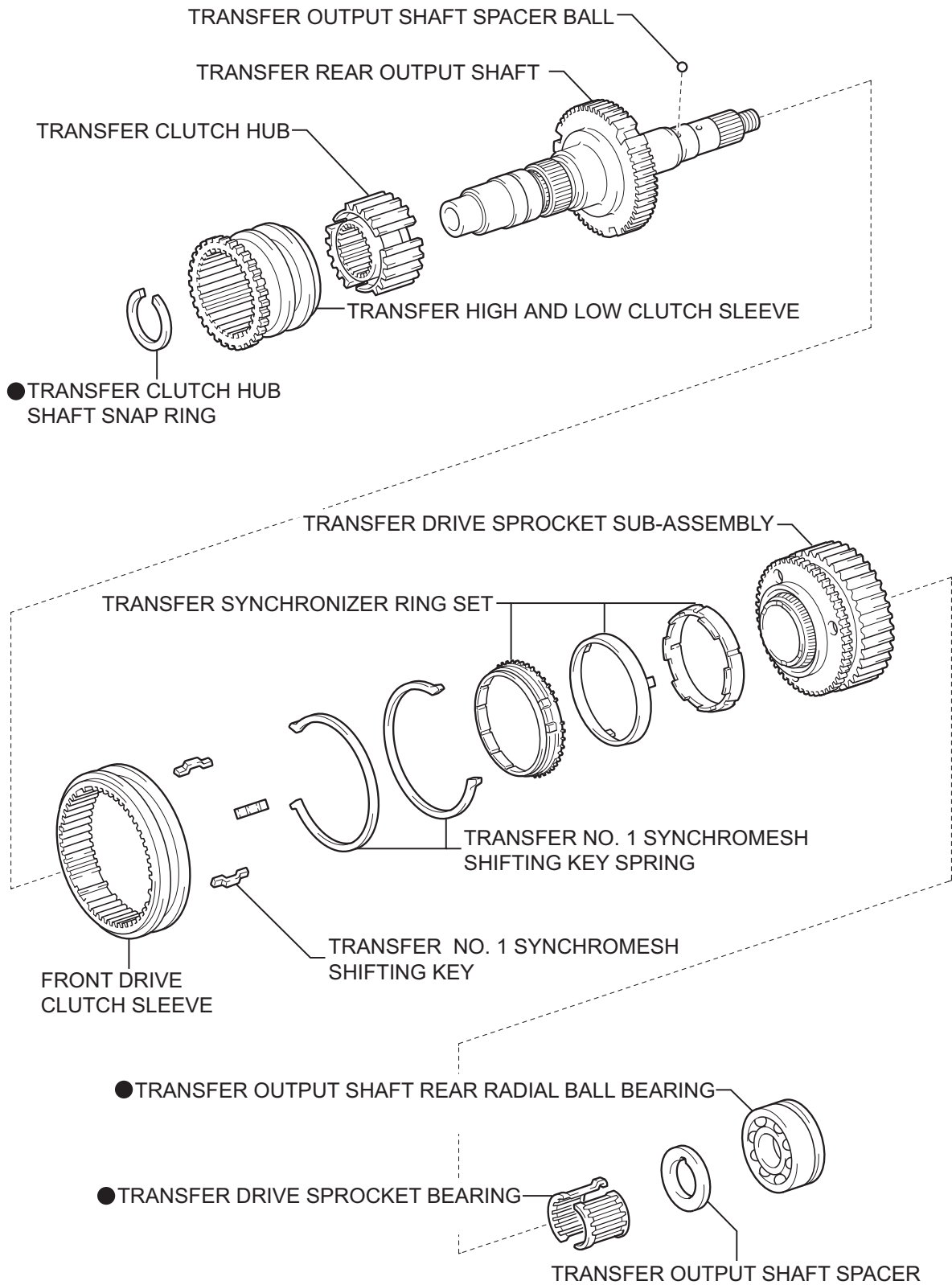
N*m (kgf*cm, ft*lbf) : Specified torque

● Non-reusable part

★ Precoated part

TF

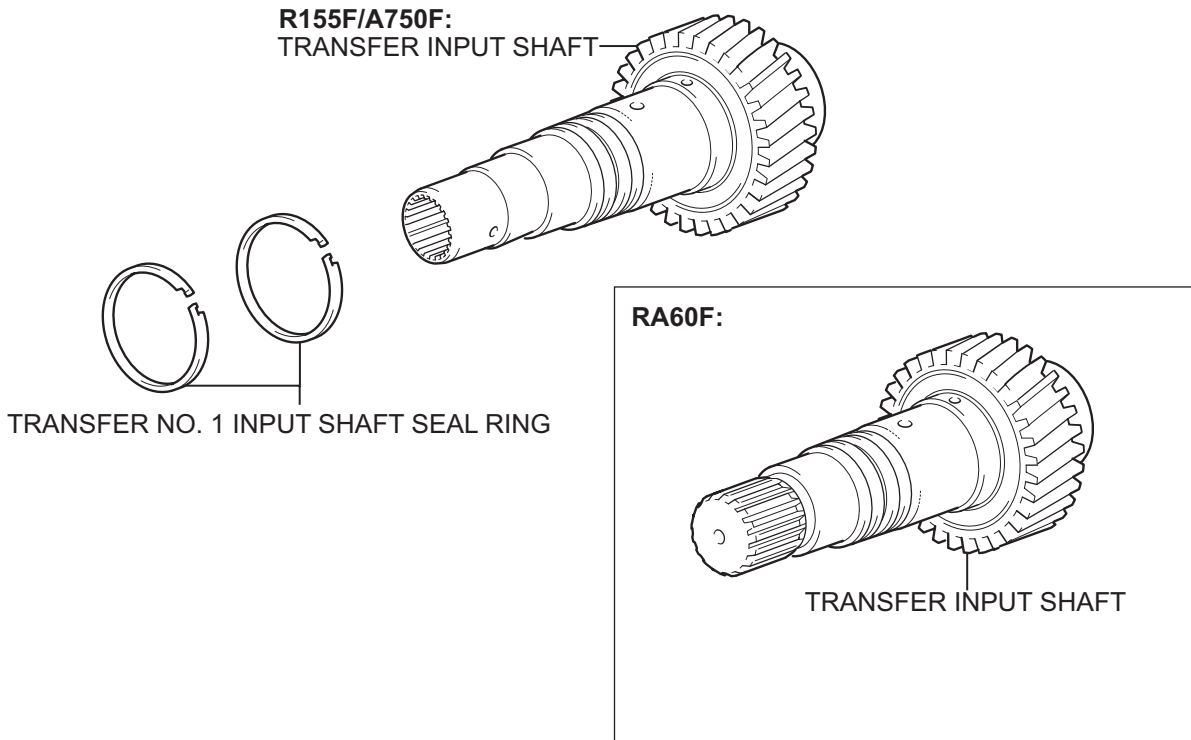
REAR OUTPUT SHAFT ASSEMBLY:



TF

● Non-reusable part

INPUT SHAFT ASSEMBLY:

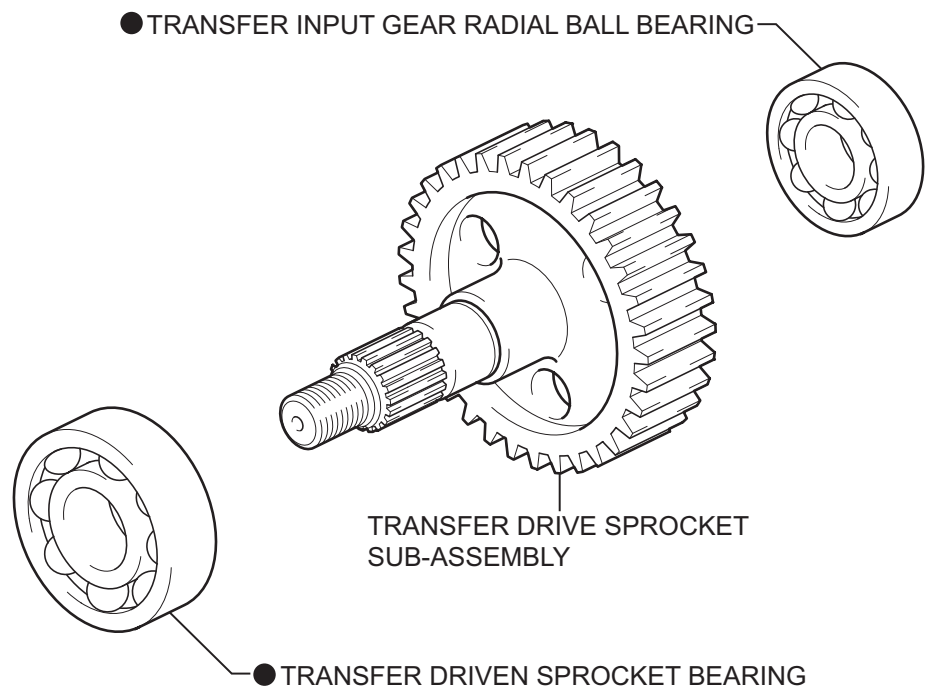


TF

P

C125243E01

DRIVEN SPROCKET ASSEMBLY:

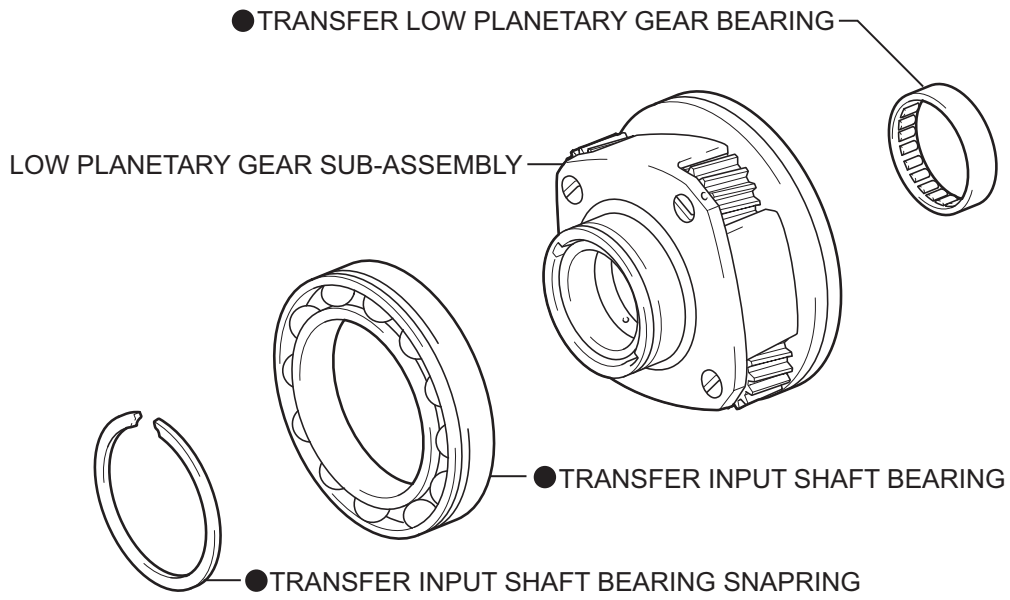


● Non-reusable part

P

C125244E01

LOW PLANETARY GEAR ASSEMBLY:



● Non-reusable part

P

C125245E01

TF