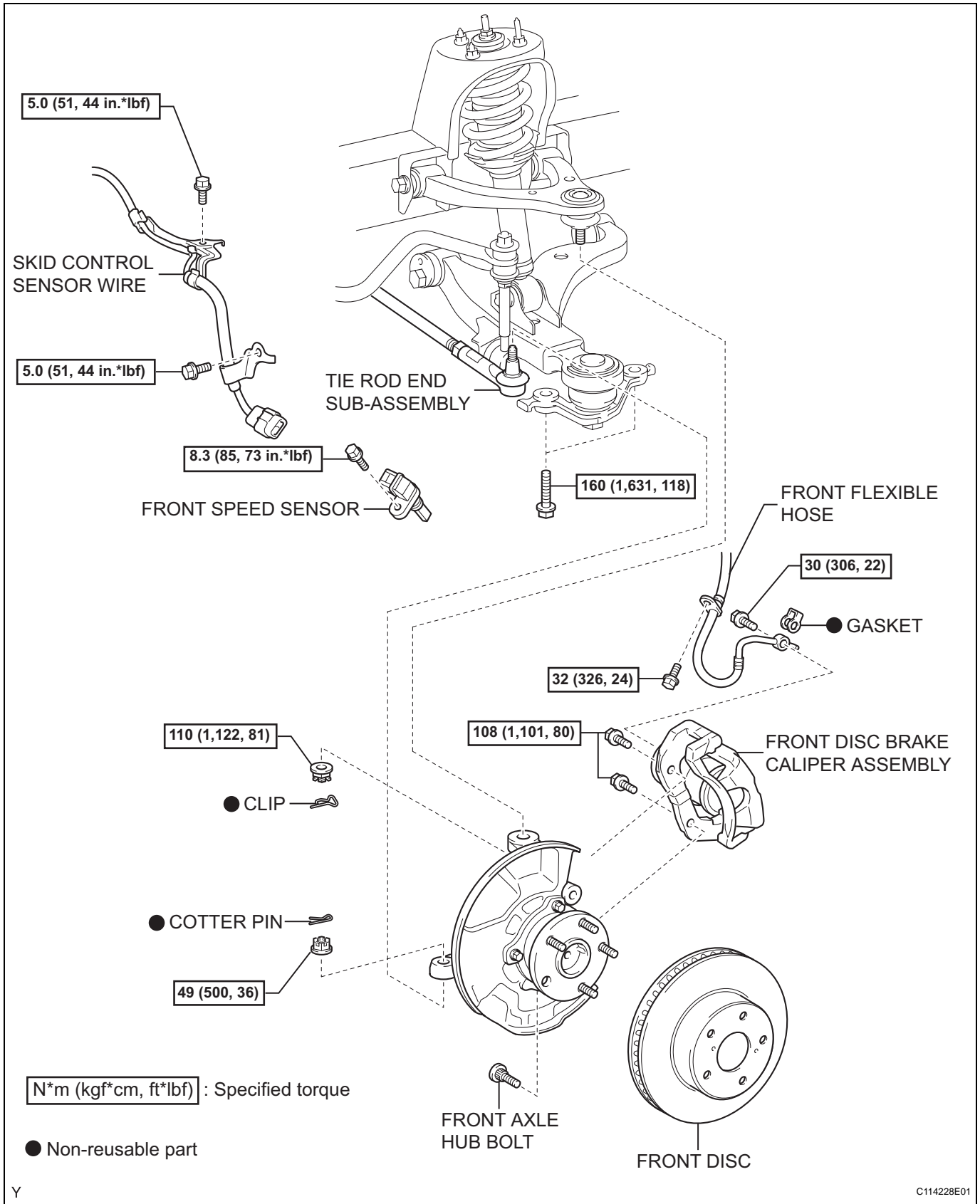
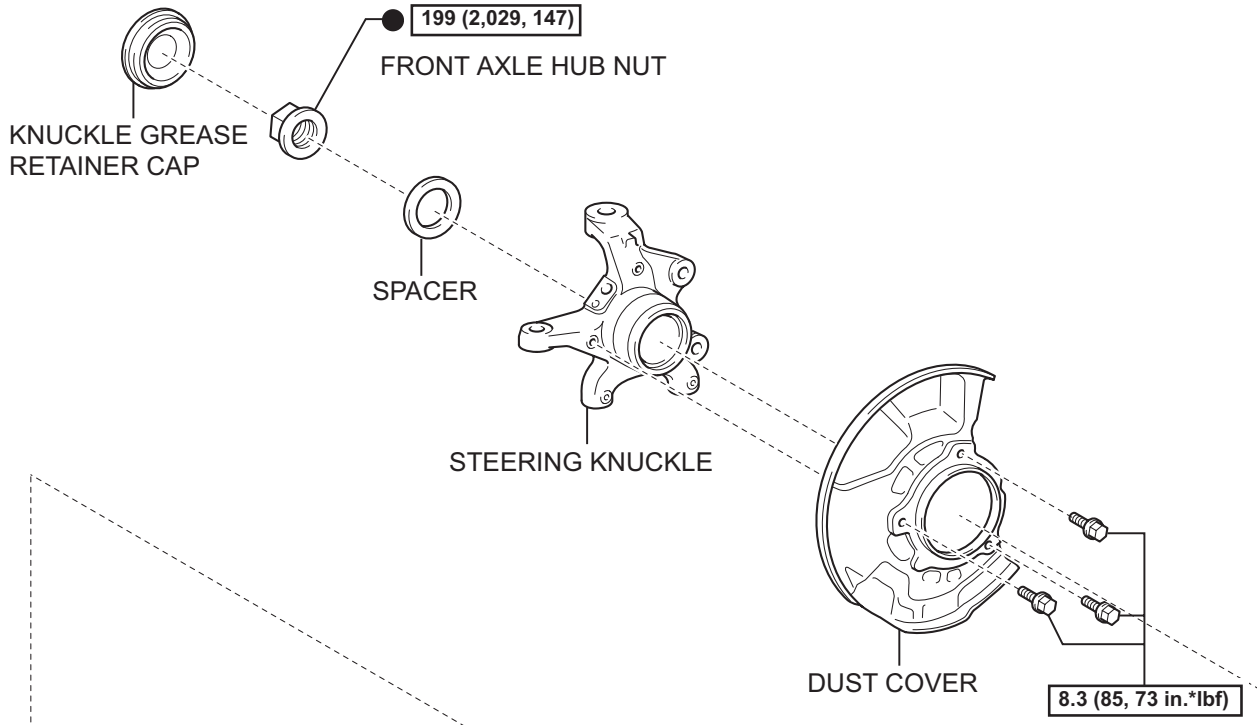


FRONT AXLE HUB (for 2WD)

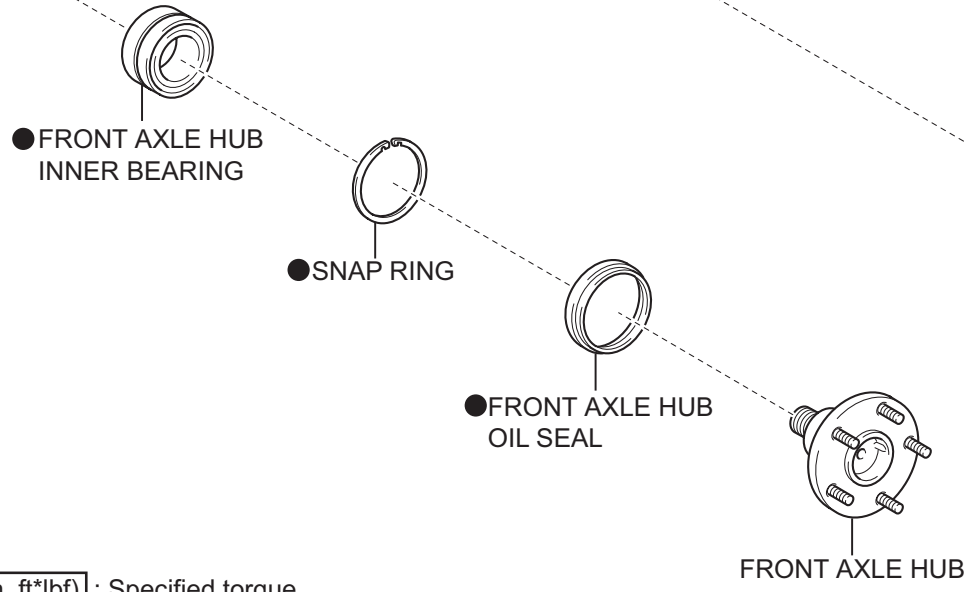
COMPONENTS



AH



AH



N*m (kgf*cm, ft*lbf) : Specified torque

● Non-reusable part