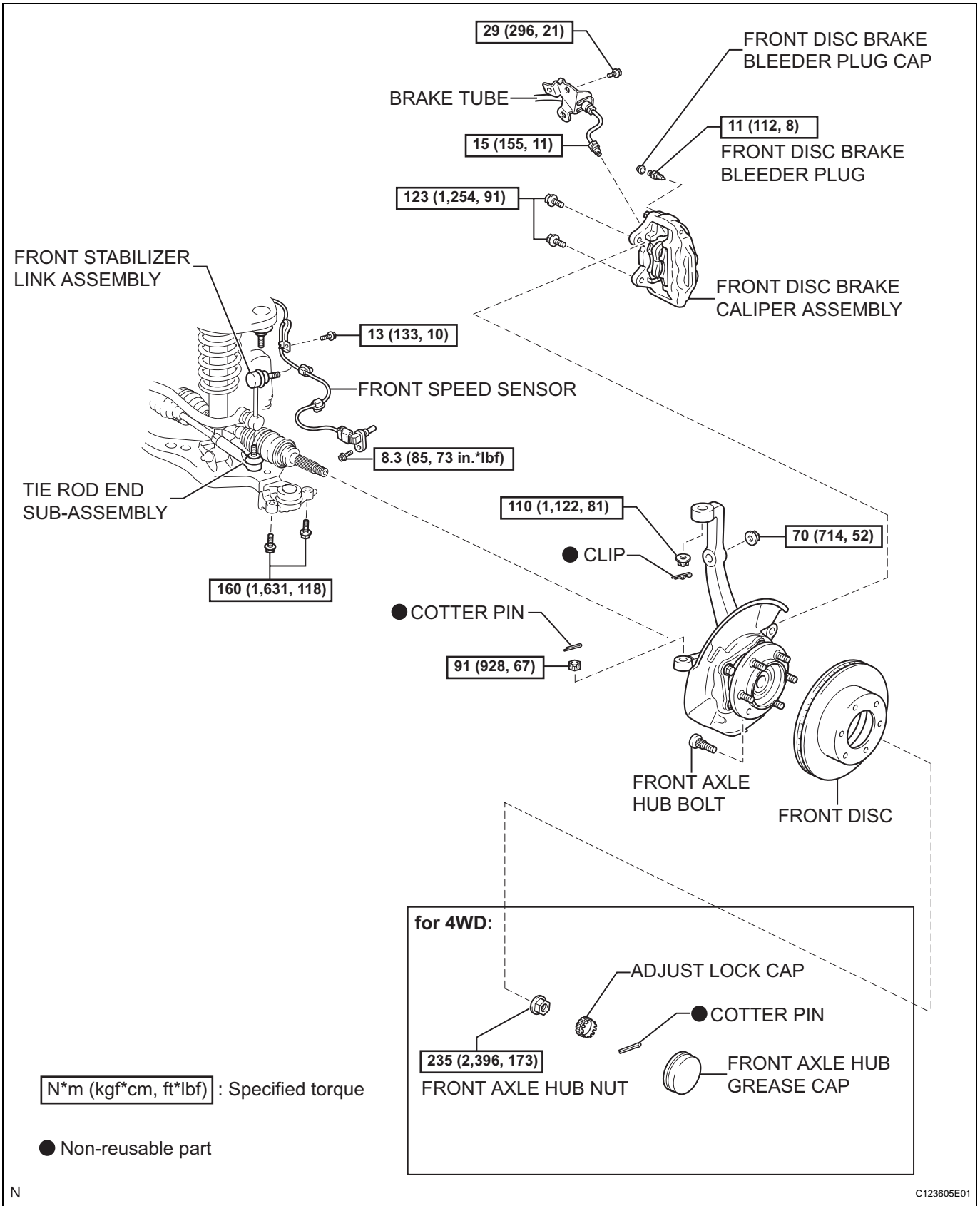



FRONT AXLE HUB (for 4WD and Pre-Runner)

COMPONENTS




AH

for Pre-Runner:

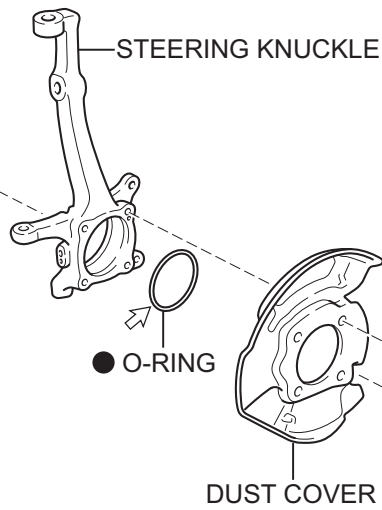


● KNUCKLE GREASE RETAINER CAP


for 4WD:



● FRONT AXLE HUB OIL SEAL

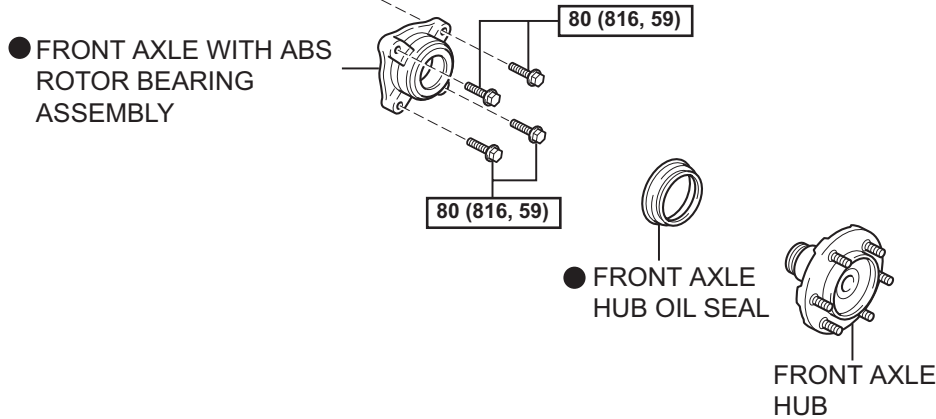


for Pre-Runner:



● 275 (2,804, 203)

FRONT WHEEL ADJUSTING NUT



N*m (kgf*cm, ft*lbf) : Specified torque

● Non-reusable part

← MP Grease

AH