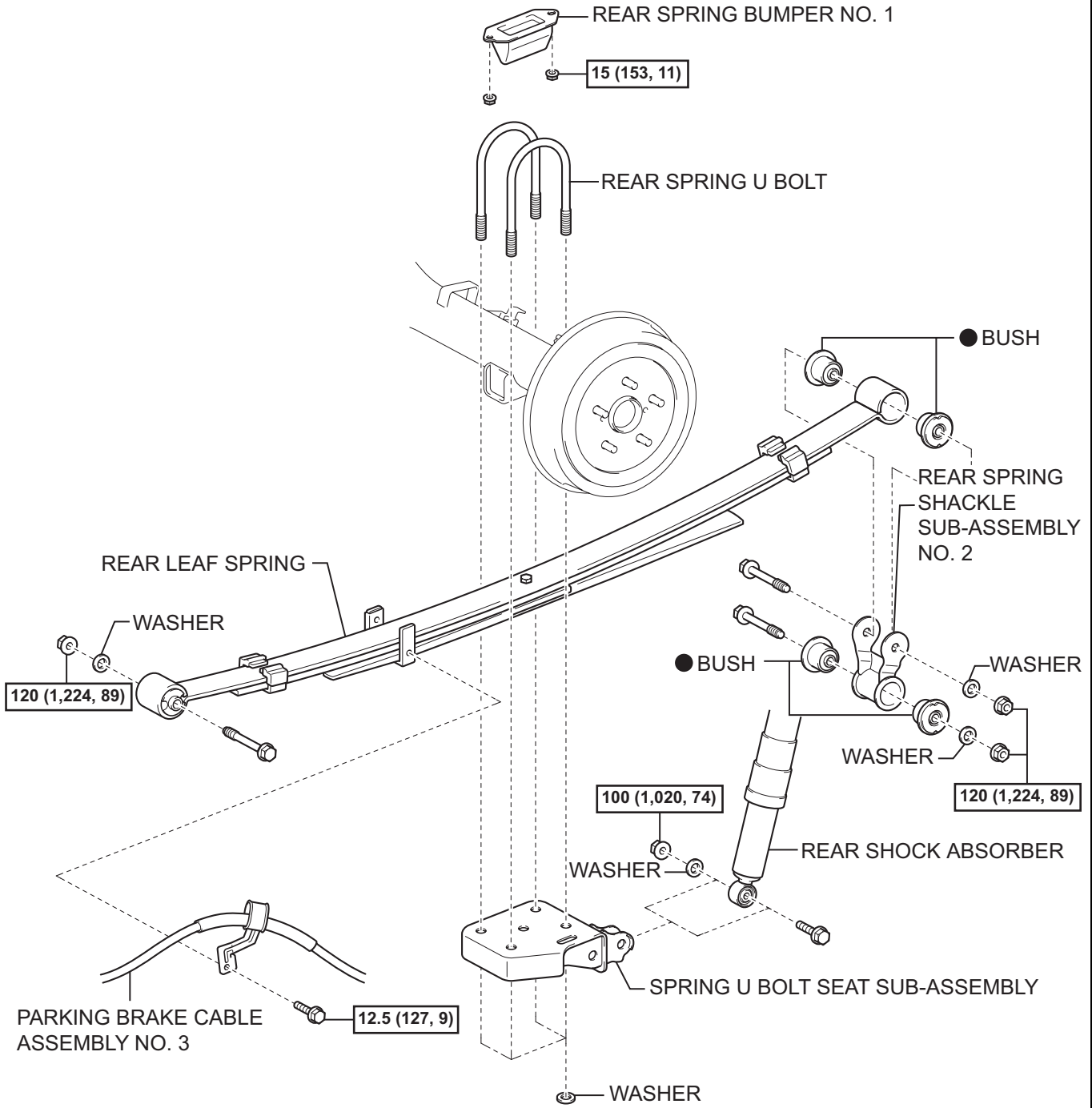


# REAR LEAF SPRING

## COMPONENTS

for 2WD:



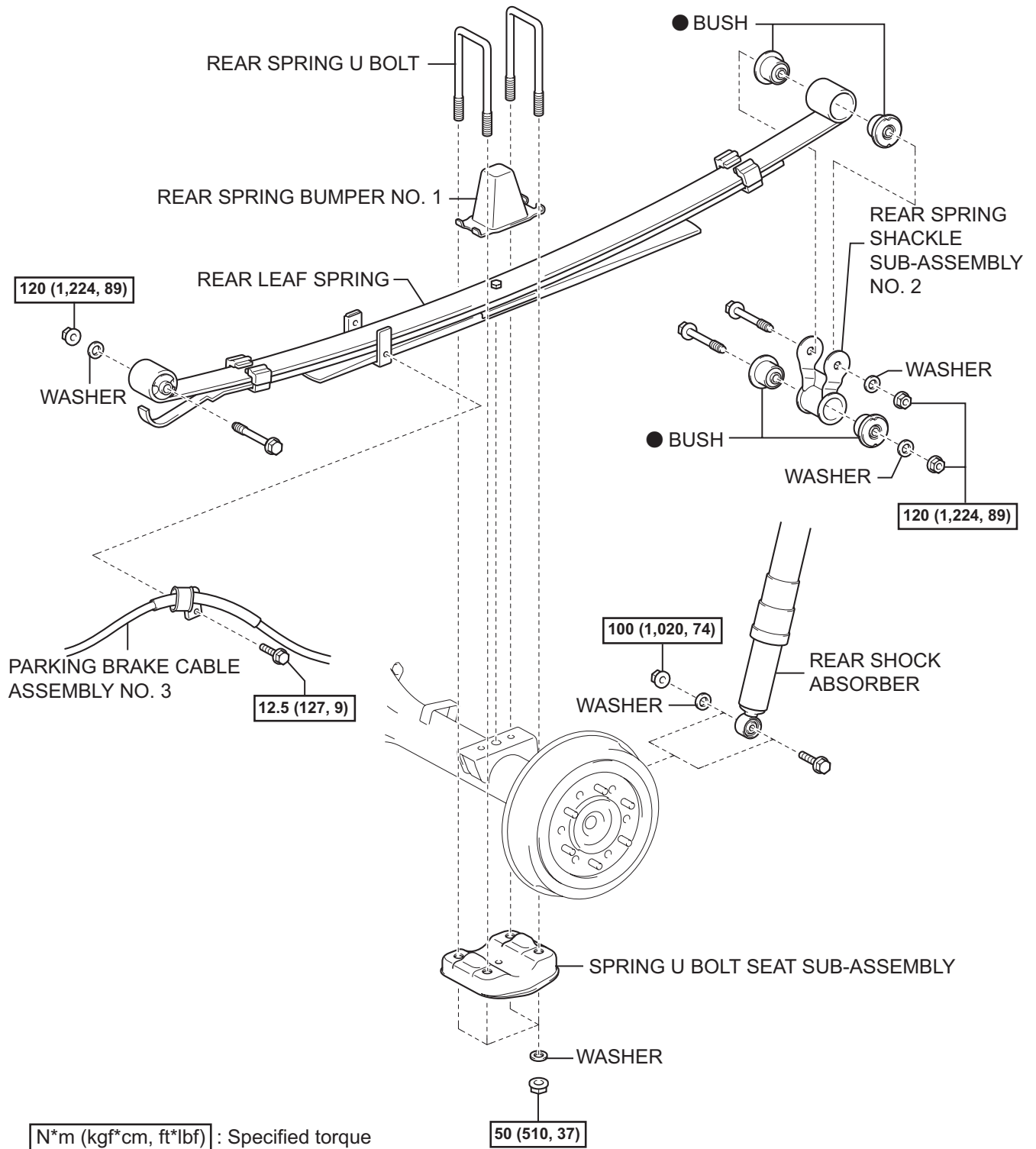
N\*m (kgf\*cm, ft\*lbf) : Specified torque

50 (510, 37)

● Non-reusable part

SP

for 4WD and Pre-Runner:



N\*m (kgf\*cm, ft\*lbf) : Specified torque

● Non-reusable part