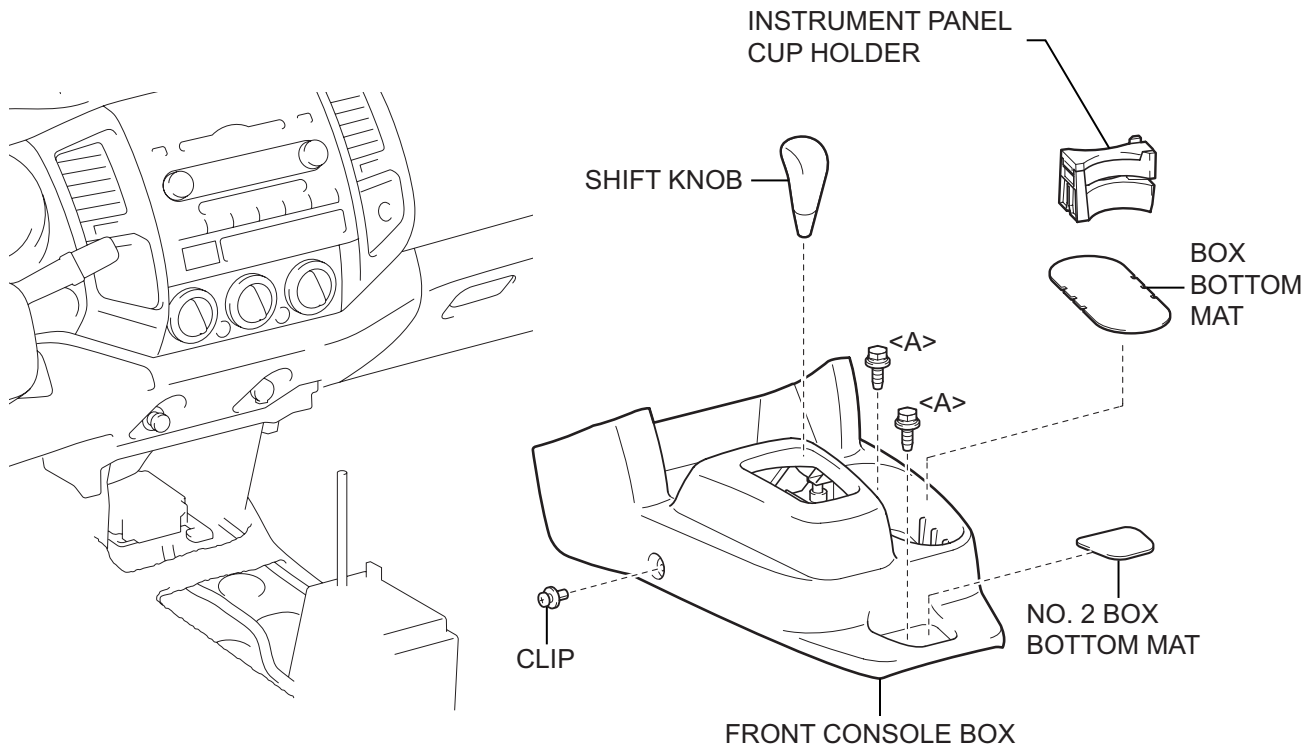


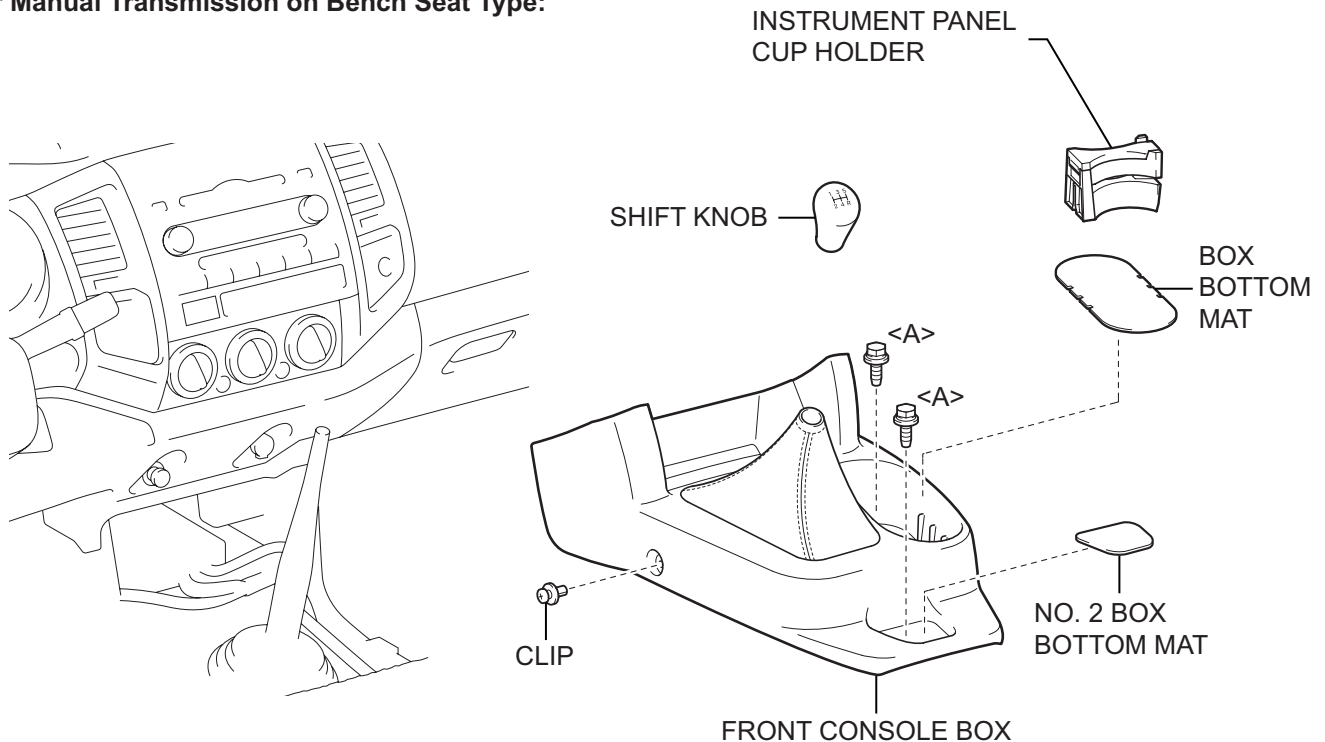
# TIRE PRESSURE WARNING ECU

## COMPONENTS

for Automatic Transmission on Bench Seat Type:

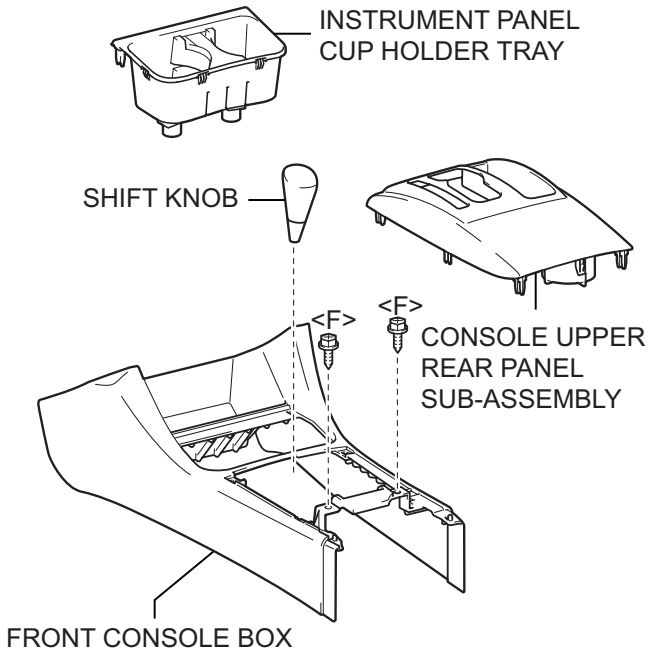


for Manual Transmission on Bench Seat Type:

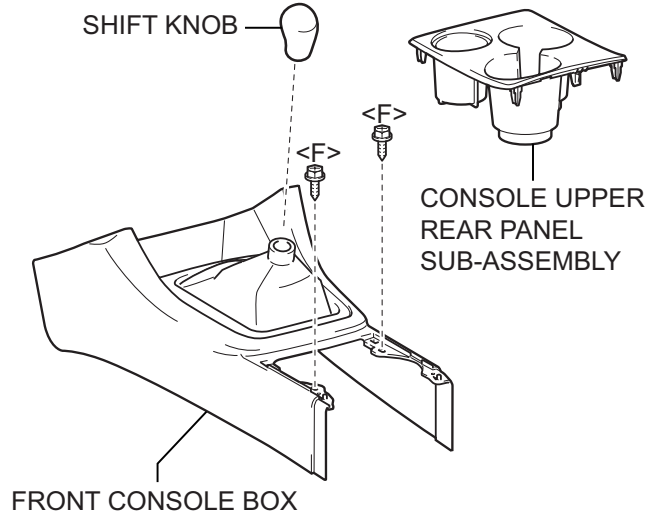


TW

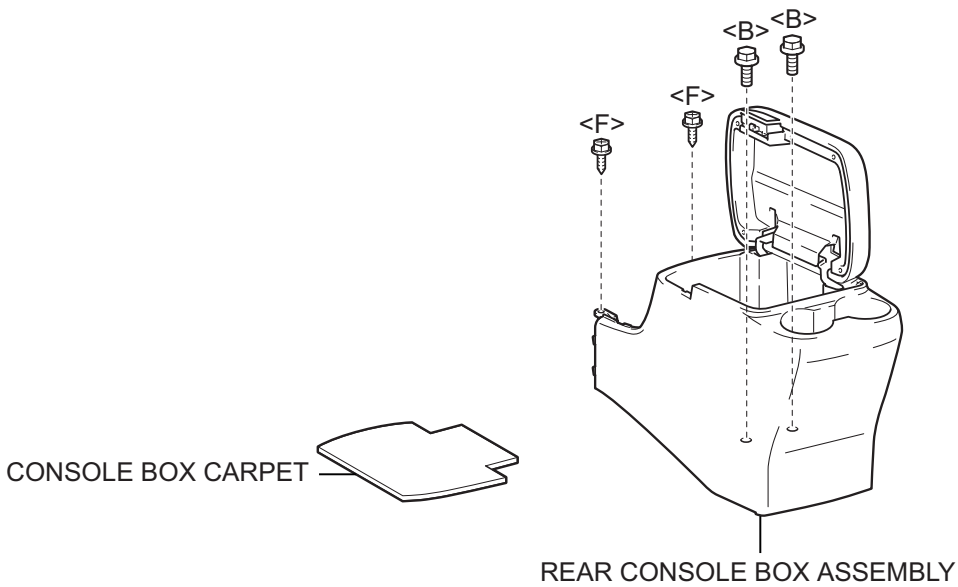
for Automatic Transmission  
on Separate Seat Type :



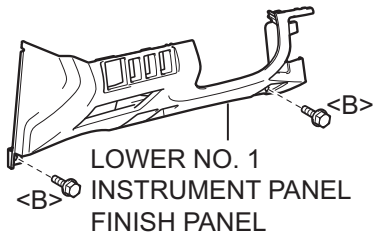
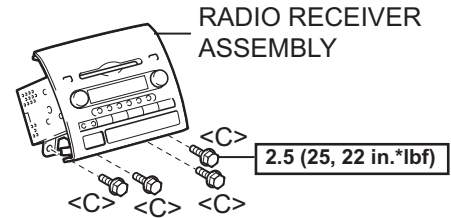
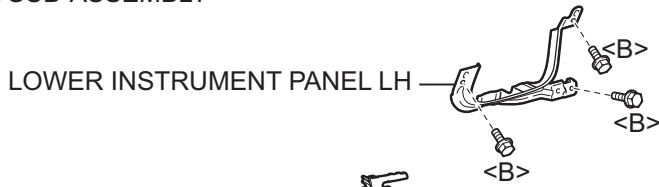
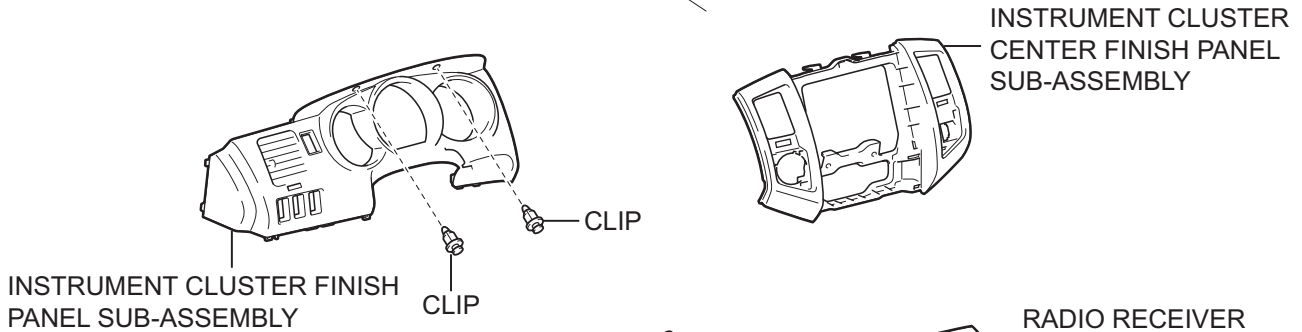
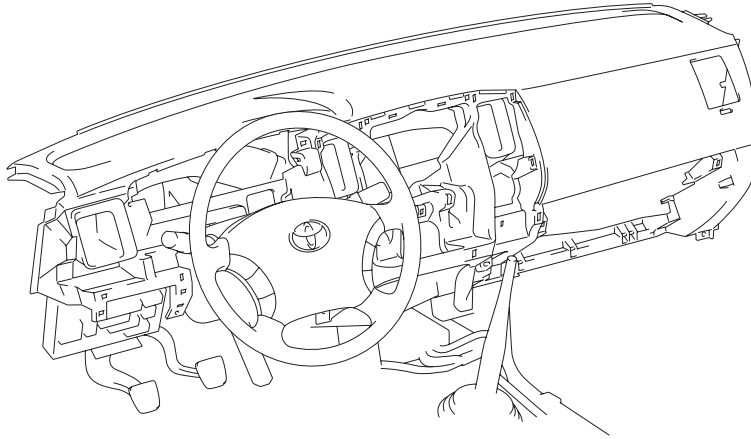
for Manual Transmission  
on Separate Seat Type:



for Separate Seat Type:



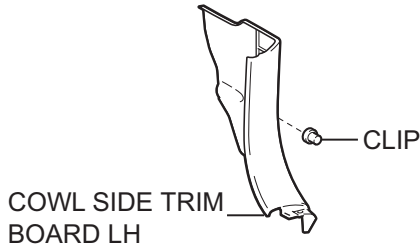
TW



**for Automatic Transmission:**  
INSTRUMENT PANEL UNDER TRAY



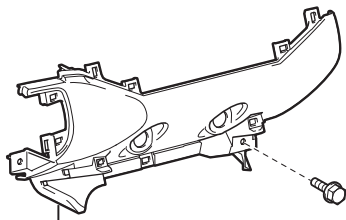
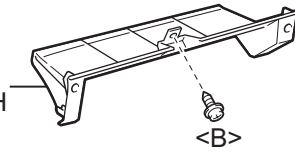
**for Manual Transmission:**  
INSTRUMENT PANEL HOLE COVER



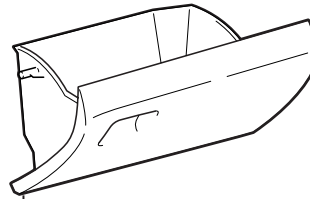
**N\*m (kgf\*cm, ft\*lbf) :** Specified torque

TW

INSTRUMENT PANEL LOWER  
FINISH PANEL SUB-ASSEMBLY RH



INSTRUMENT LOWER COVER  
SUB-ASSEMBLY

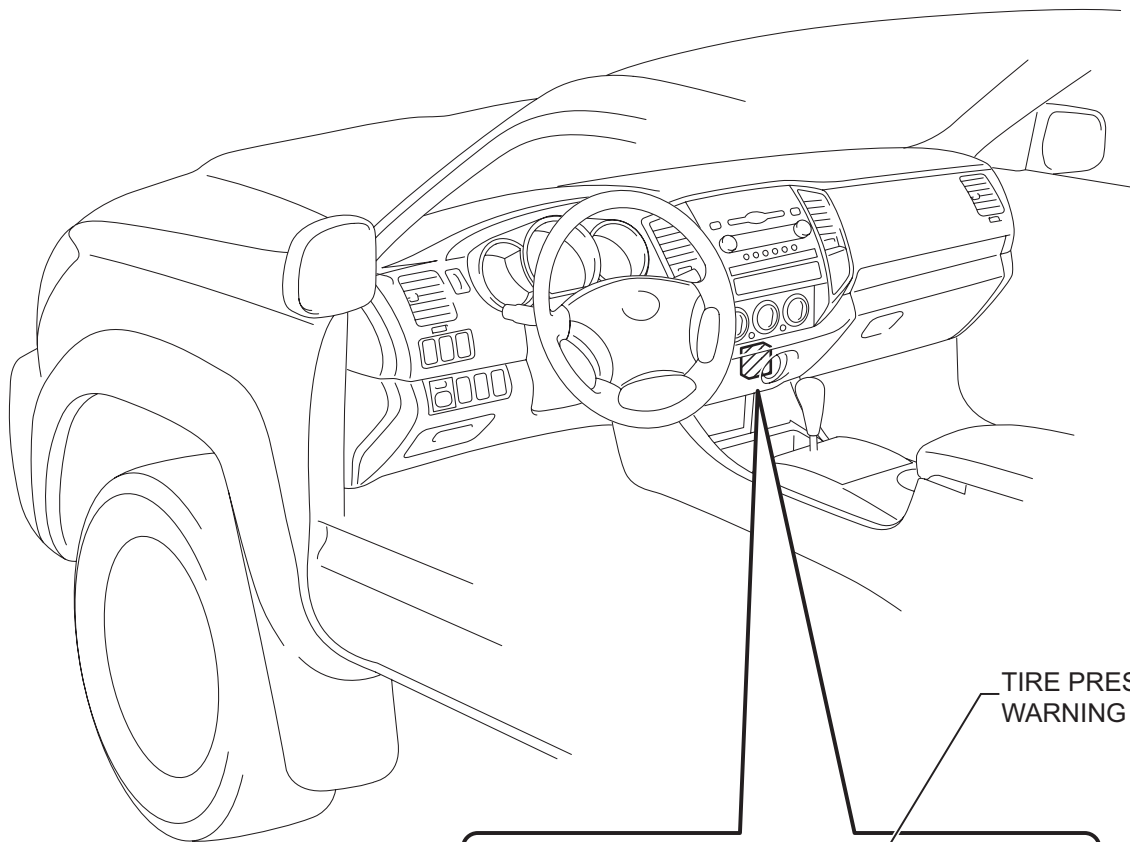


GLOVE COMPARTMENT  
DOOR ASSEMBLY



GLOVE COMPARTMENT  
DOOR STOPPER

TW



TIRE PRESSURE WARNING ECU

5.5 (56, 49 in.\*lbf)

5.5 (56, 49 in.\*lbf)

N\*m (kgf\*cm, ft\*lbf) : Specified torque

TW