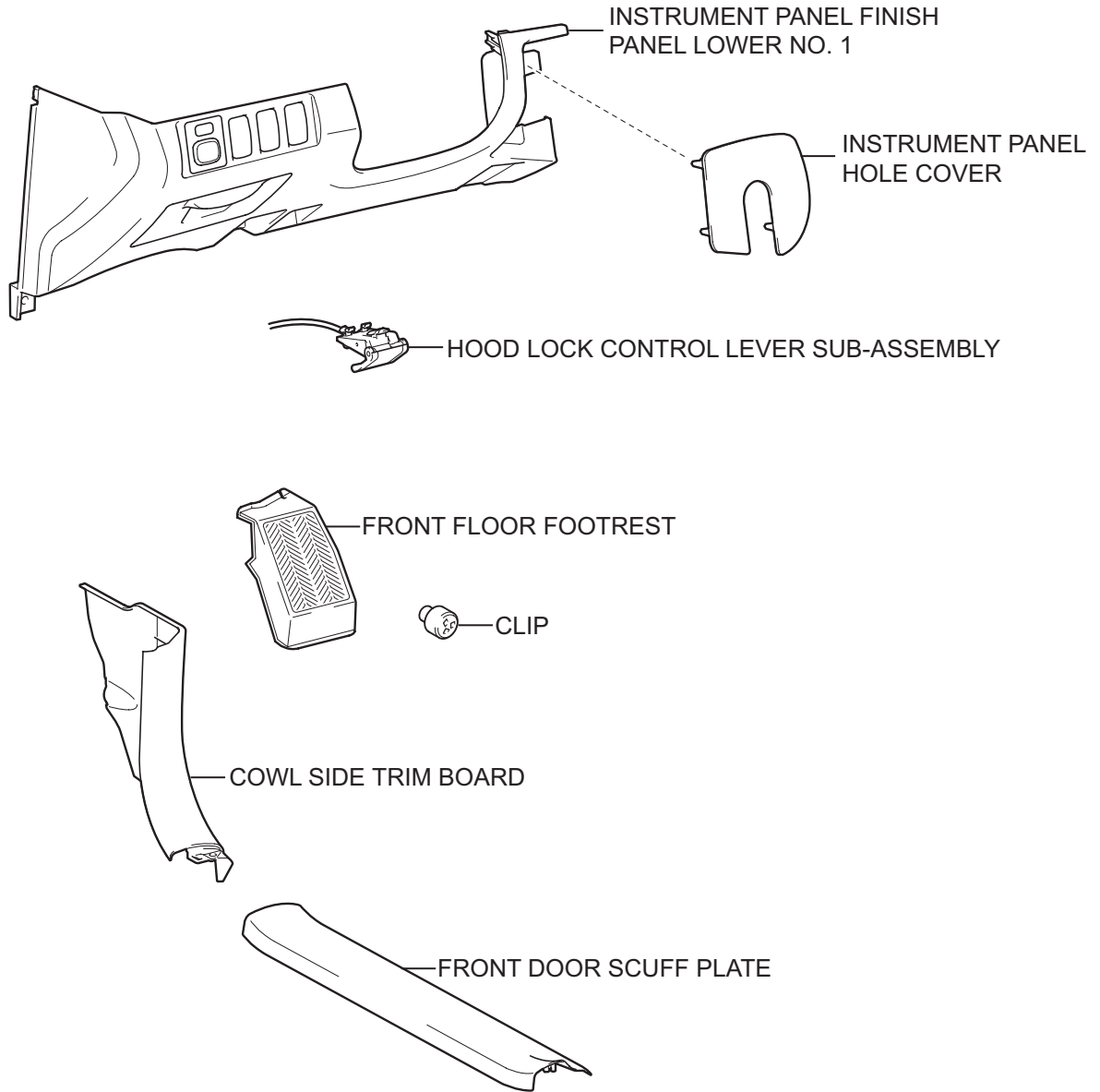
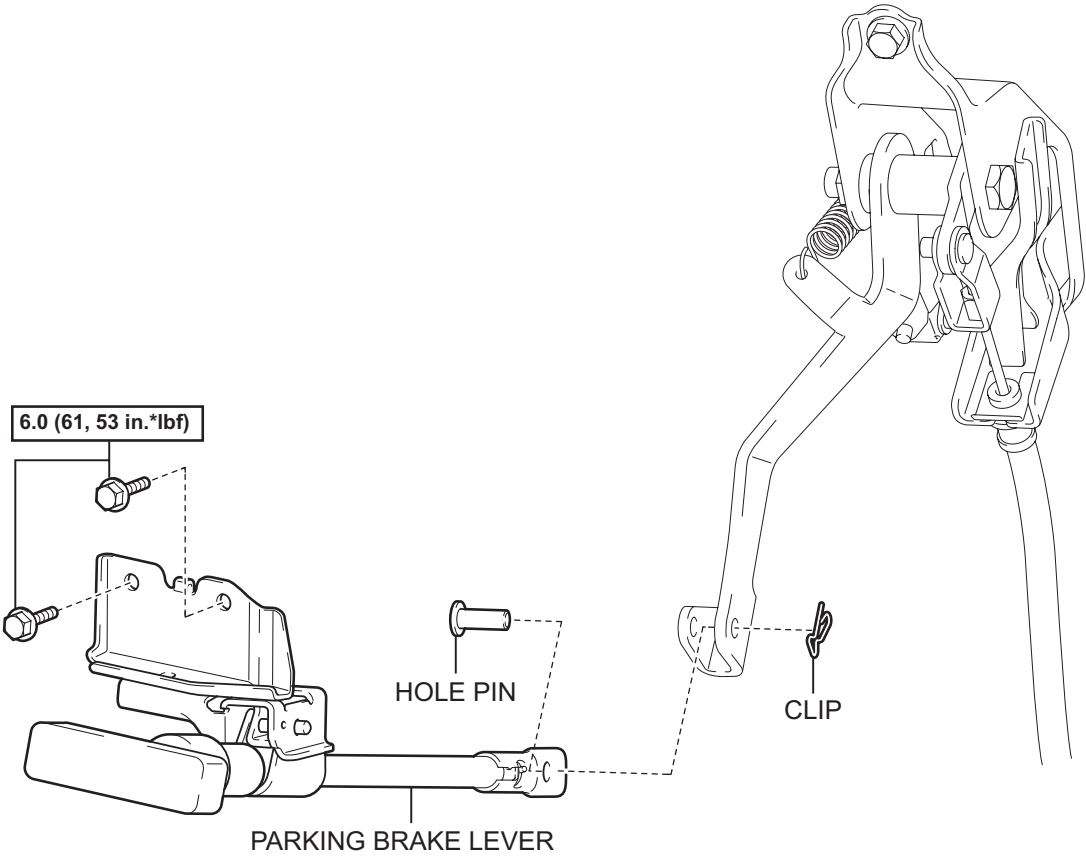


PARKING BRAKE LEVER (for Manual Transmission)

COMPONENTS



PB



PB

N*m (kgf*cm, ft*lbf) : Specified torque