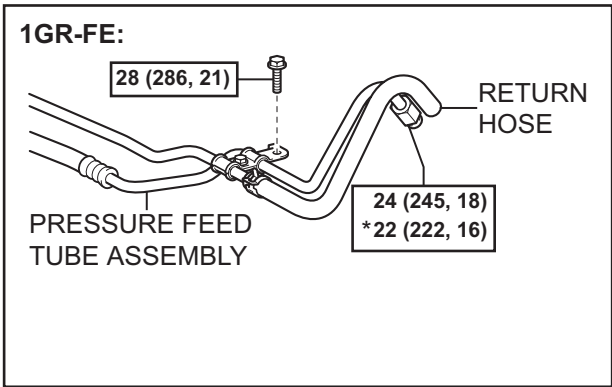
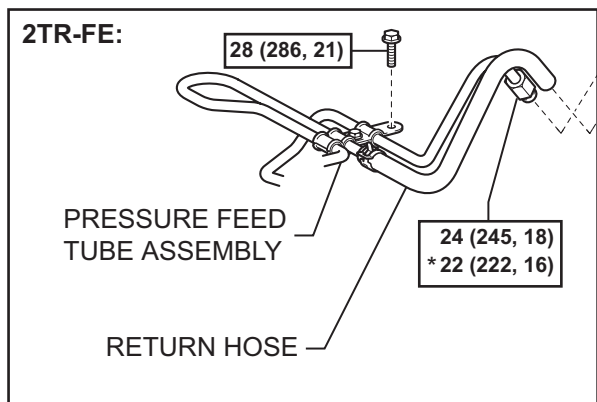
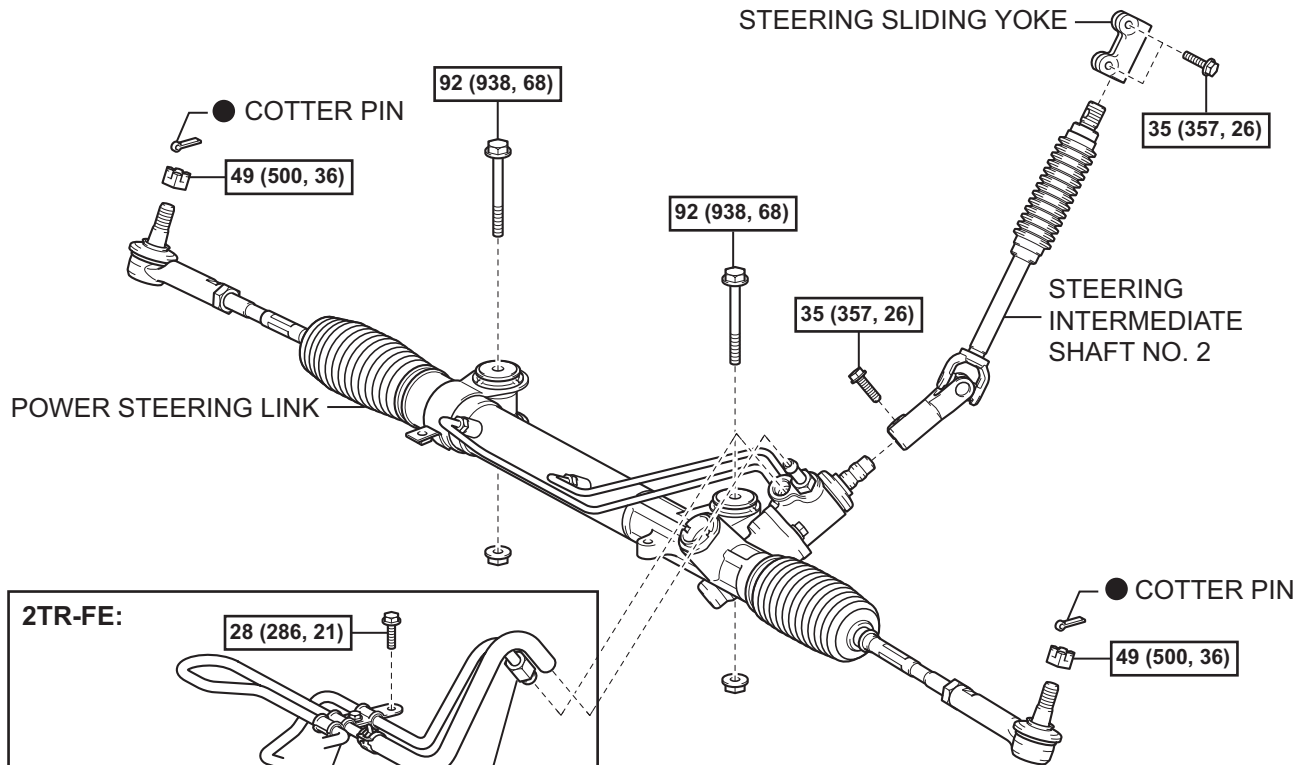


POWER STEERING LINK (for 2WD)

COMPONENTS

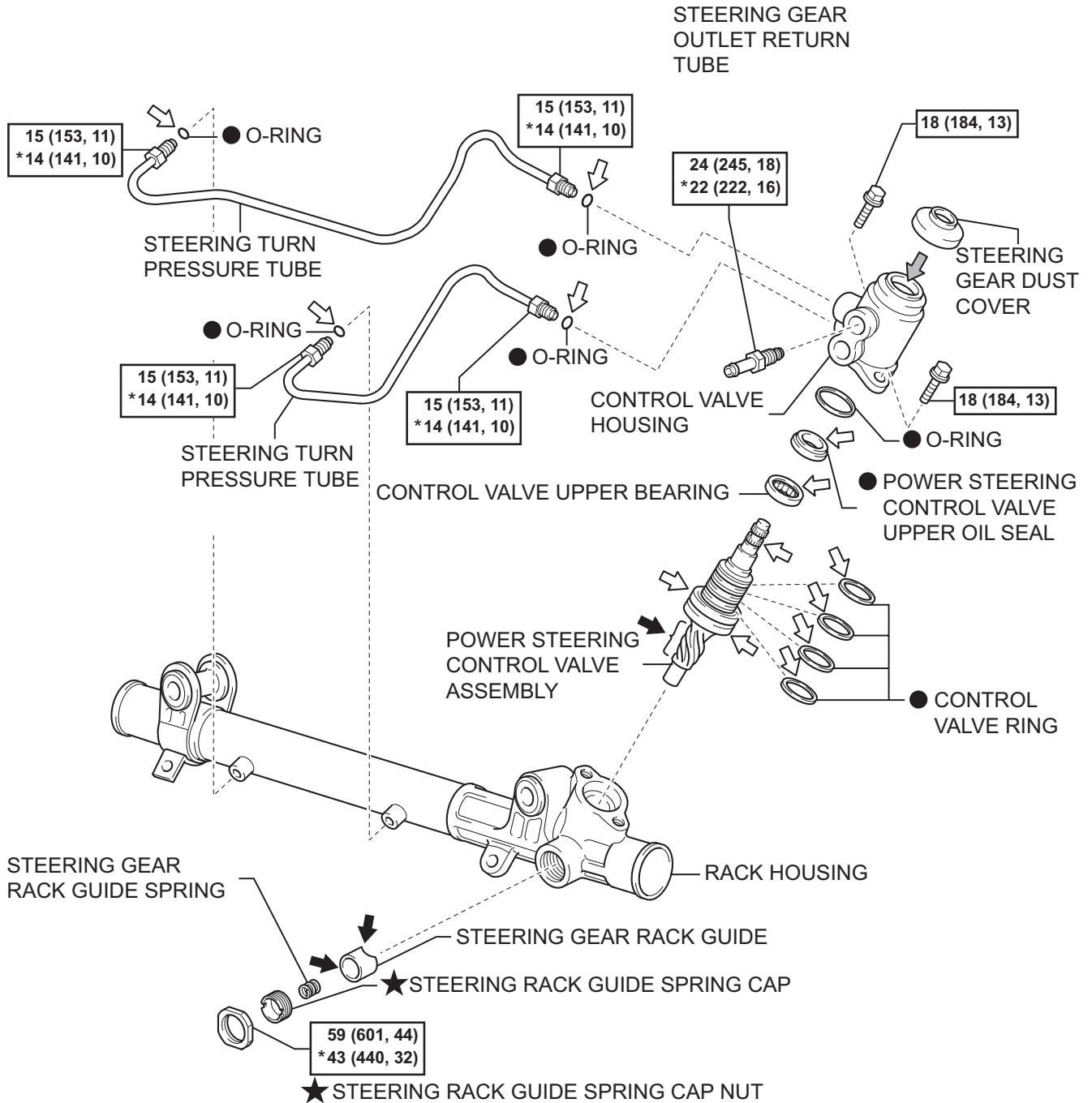


[N*m (kgf*cm, ft*lbf)] : Specified torque

● Non-reusable part

* For use with SST

PS



N*m (kgf*cm, ft*lbf) : Specified torque ← Molybdenum disulfide lithium base grease ★ Precoated part

● Non-reusable part

← MP grease

* For use with SST

← Power steering fluid

PS

