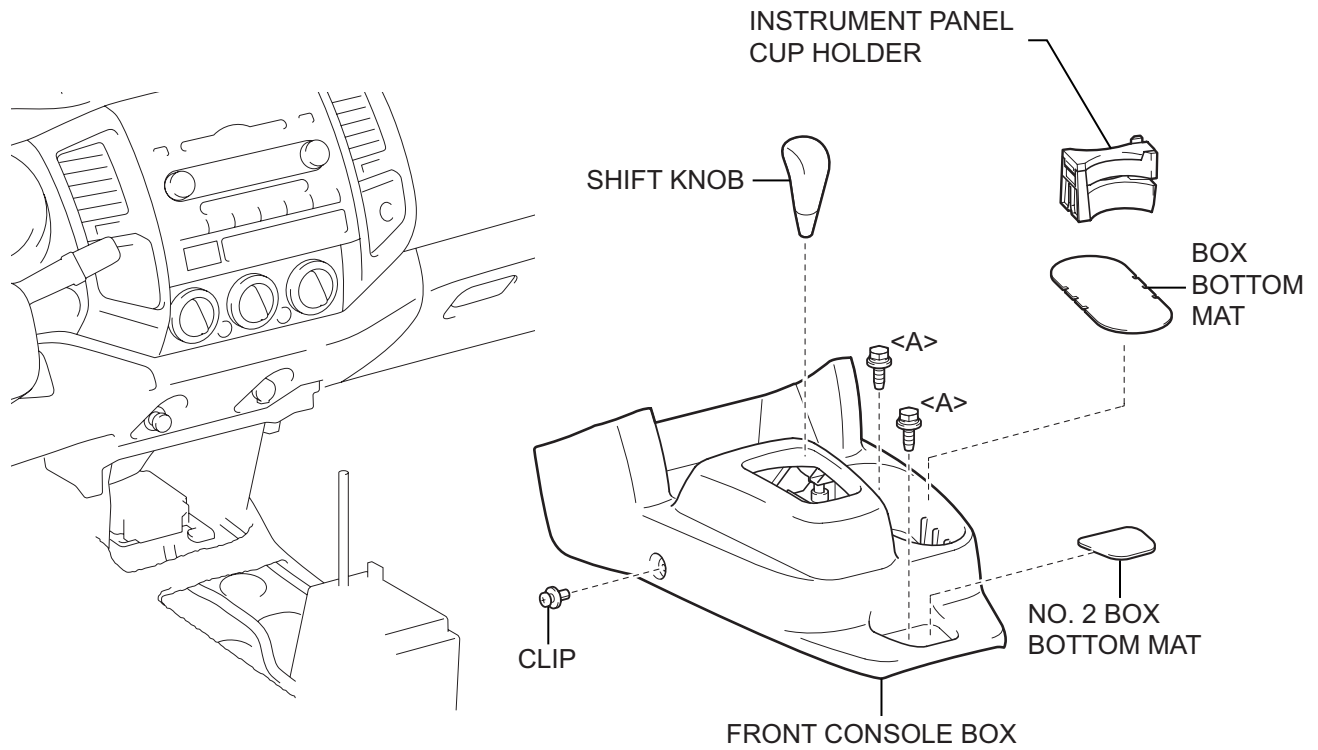


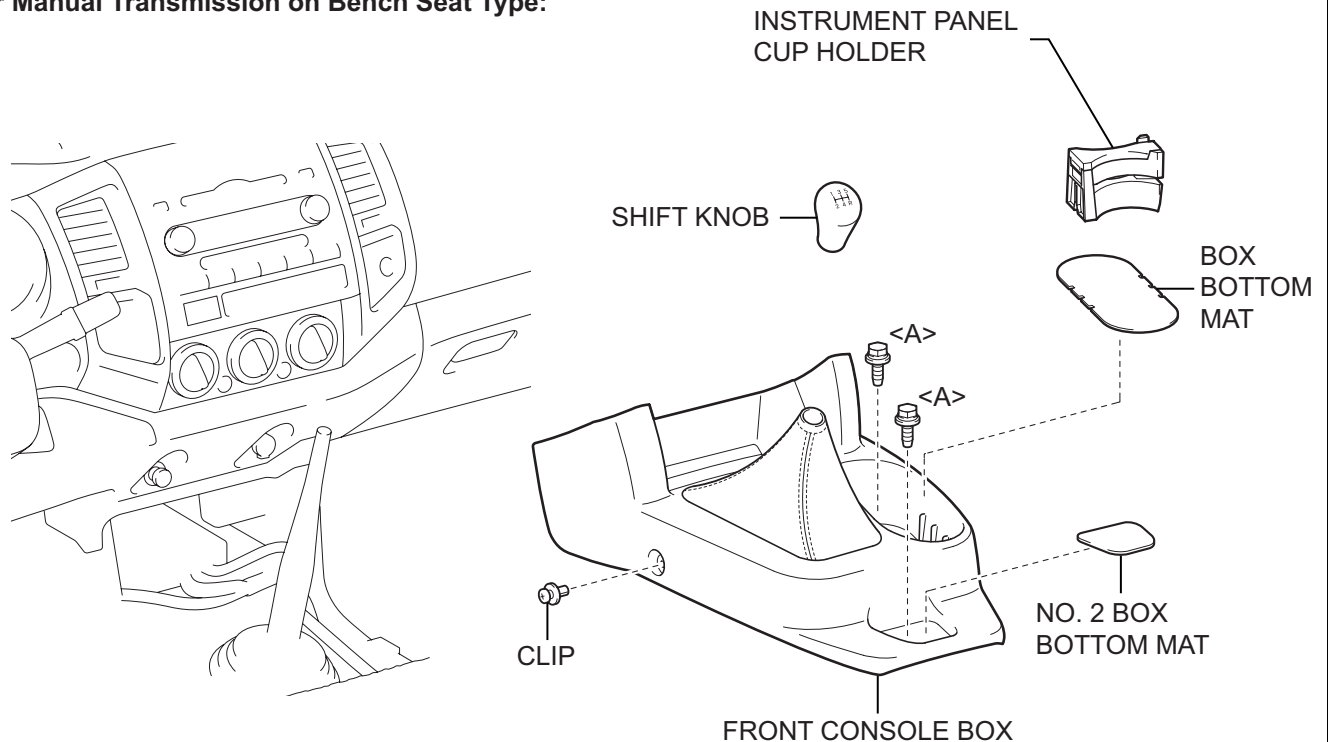
FRONT PASSENGER AIRBAG ASSEMBLY

COMPONENTS

for Automatic Transmission on Bench Seat Type:

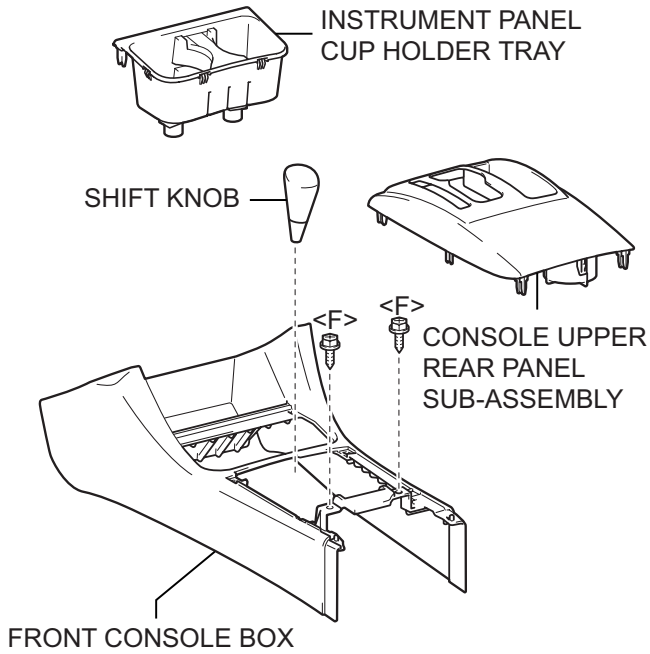


for Manual Transmission on Bench Seat Type:

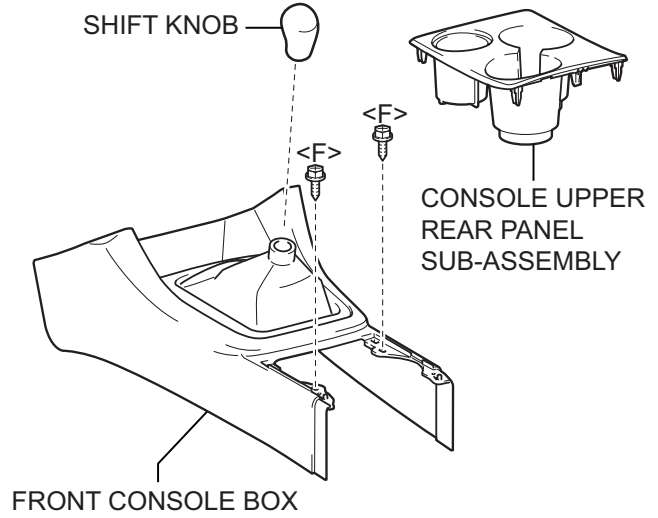


RS

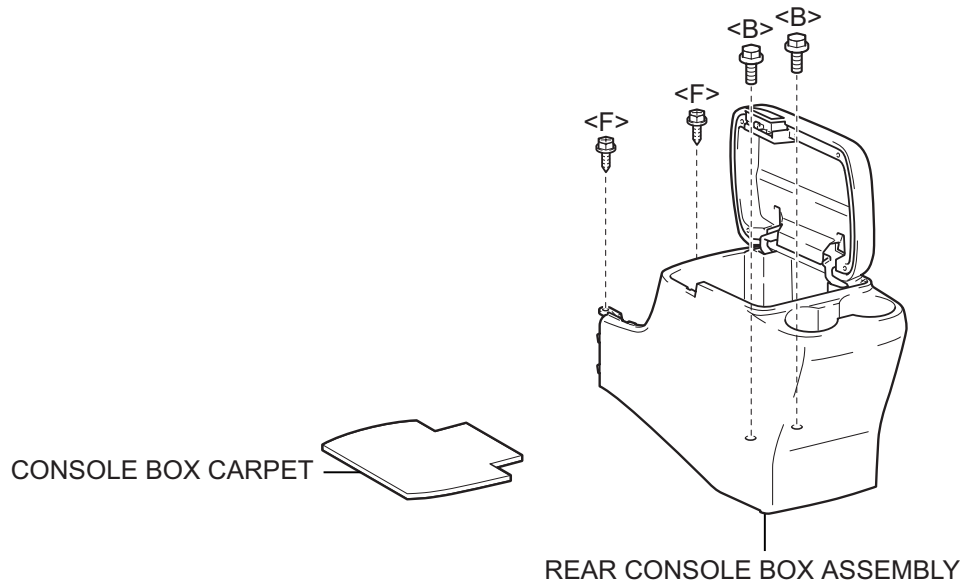
for Automatic Transmission
on Separate Seat Type :



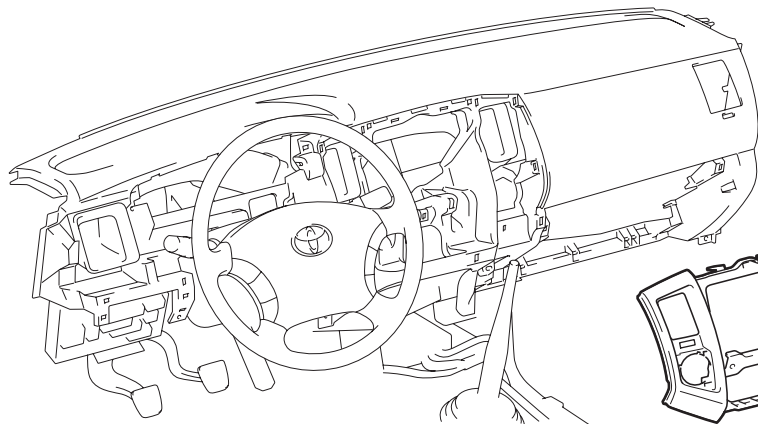
for Manual Transmission
on Separate Seat Type:



for Separate Seat Type:

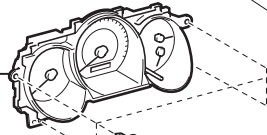


RS



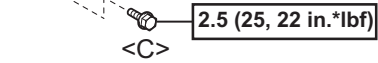
INSTRUMENT CLUSTER CENTER FINISH PANEL SUB-ASSEMBLY

COMBINATION METER ASSEMBLY



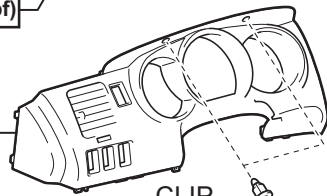
7.0 (71, 62 in.*lbf)

RADIO RECEIVER ASSEMBLY



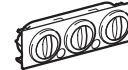
2.5 (25, 22 in.*lbf)

INSTRUMENT CLUSTER FINISH PANEL SUB-ASSEMBLY

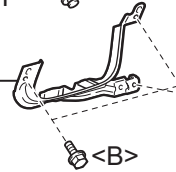


CLIP

AIR CONDITIONING CONTROL ASSEMBLY



LOWER INSTRUMENT PANEL LH



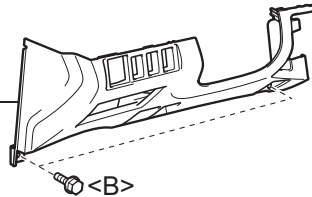
for Pedal Type Parking Brake:

INSTRUMENT PANEL UNDER TRAY

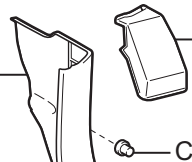
for Lever Type Parking Brake:

INSTRUMENT PANEL HOLE COVER

LOWER NO. 1 INSTRUMENT PANEL FINISH PANEL



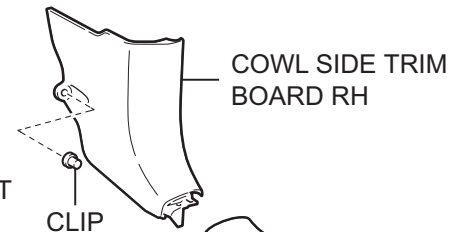
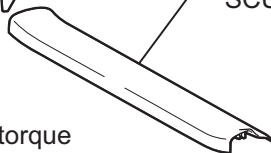
COWL SIDE TRIM BOARD LH



CLIP

FRONT FLOOR FOOTREST

FRONT DOOR SCUFF PLATE LH



COWL SIDE TRIM BOARD RH

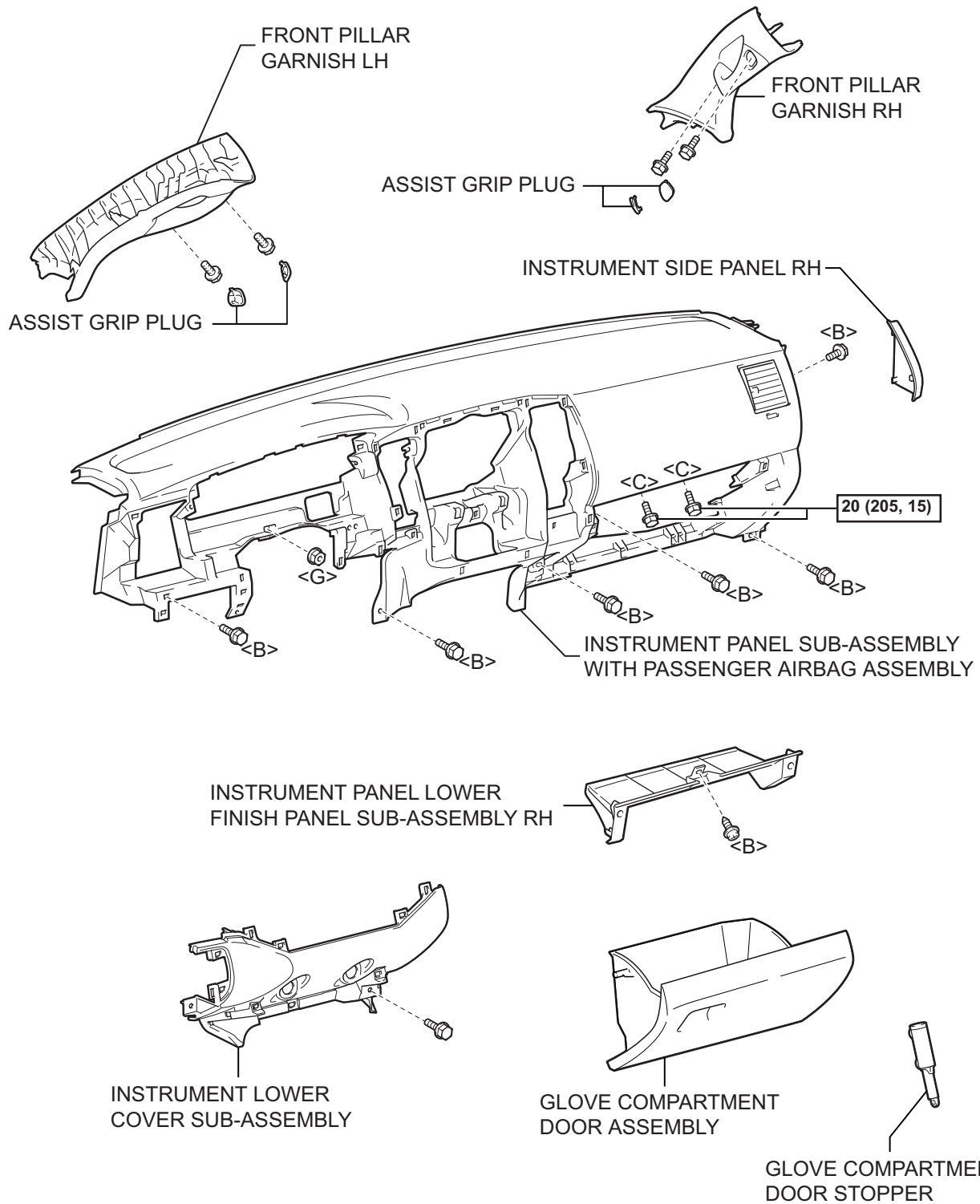
CLIP

FRONT DOOR SCUFF PLATE RH



N*m (kgf*cm, ft*lbf) : Specified torque

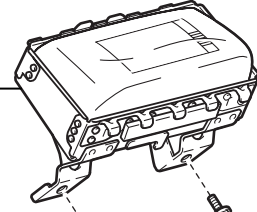
RS



RS

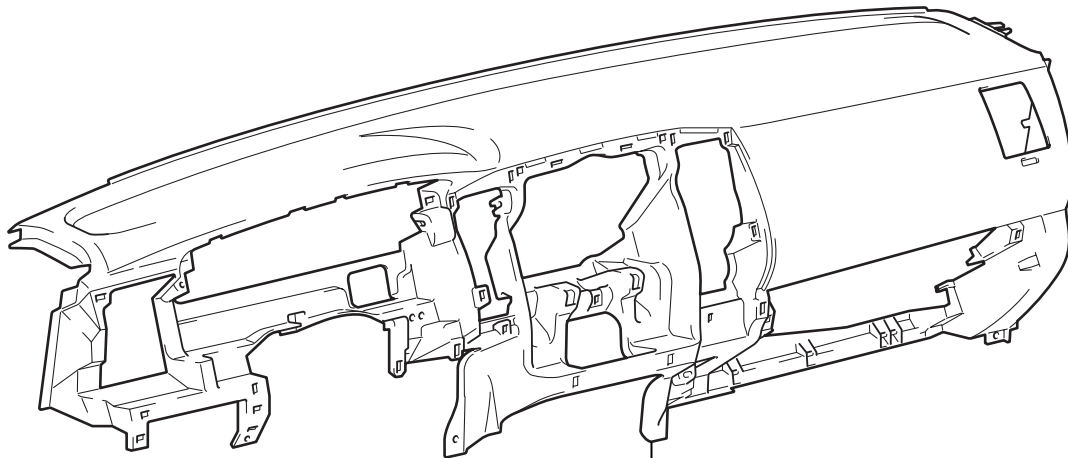
N^*m (kgf*cm, ft.*lbf) : Specified torque

FRONT PASSENGER AIRBAG ASSEMBLY



20 (204, 15)

20 (204, 15)



INSTRUMENT PANEL SAFETY PAD SUB-ASSEMBLY

N*m (kgf*cm, ft.*lbf) : Specified torque

RS