

REMOVAL

1. **PRECAUTION**
2. **DISCONNECT CABLE FROM NEGATIVE BATTERY TERMINAL**

Wait for at least 90 seconds after disconnecting the cable to prevent the airbag from working.

3. **REMOVE ROOF HEADLINING ASSEMBLY**

HINT:

Double Cab (See page [IR-11](#)).

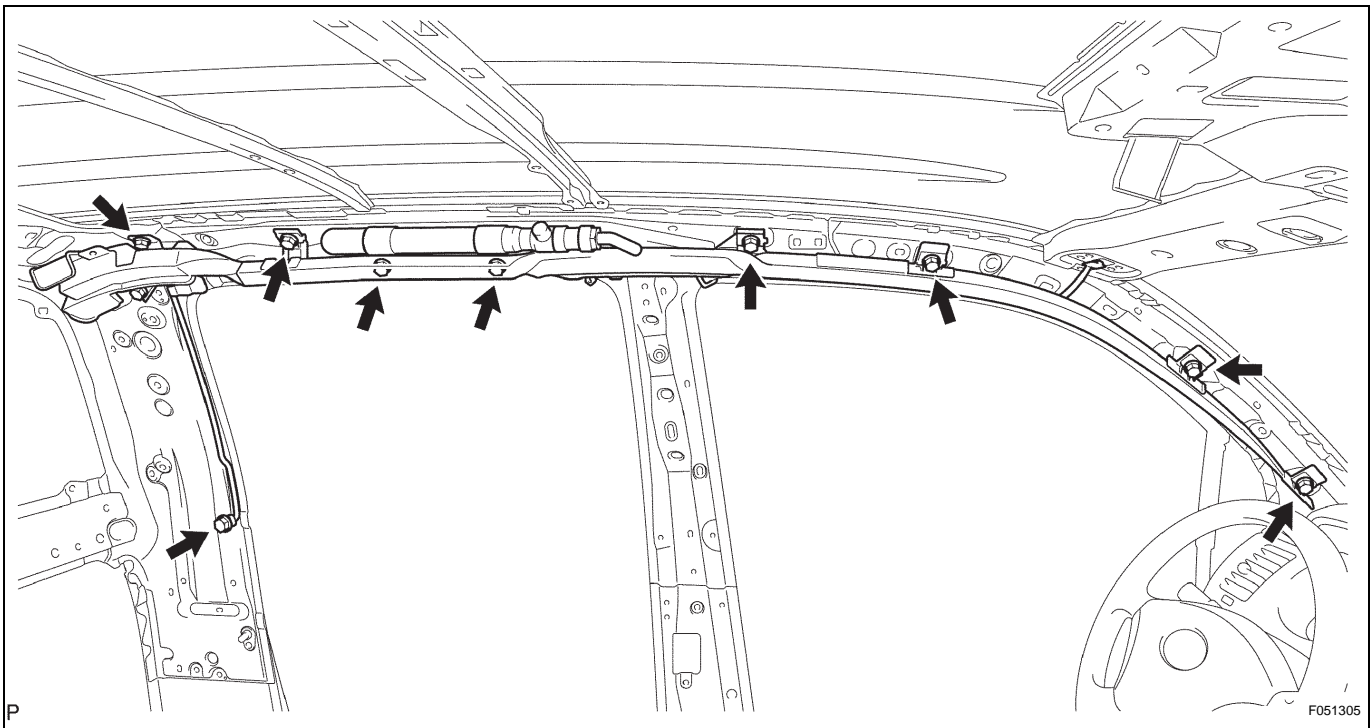
4. **REMOVE CURTAIN SHIELD AIRBAG ASSEMBLY**

- (a) Disconnect the connector from the curtain shield airbag assembly .

NOTICE:

When handling the airbag connector, take care not to damage the airbag wire harness.

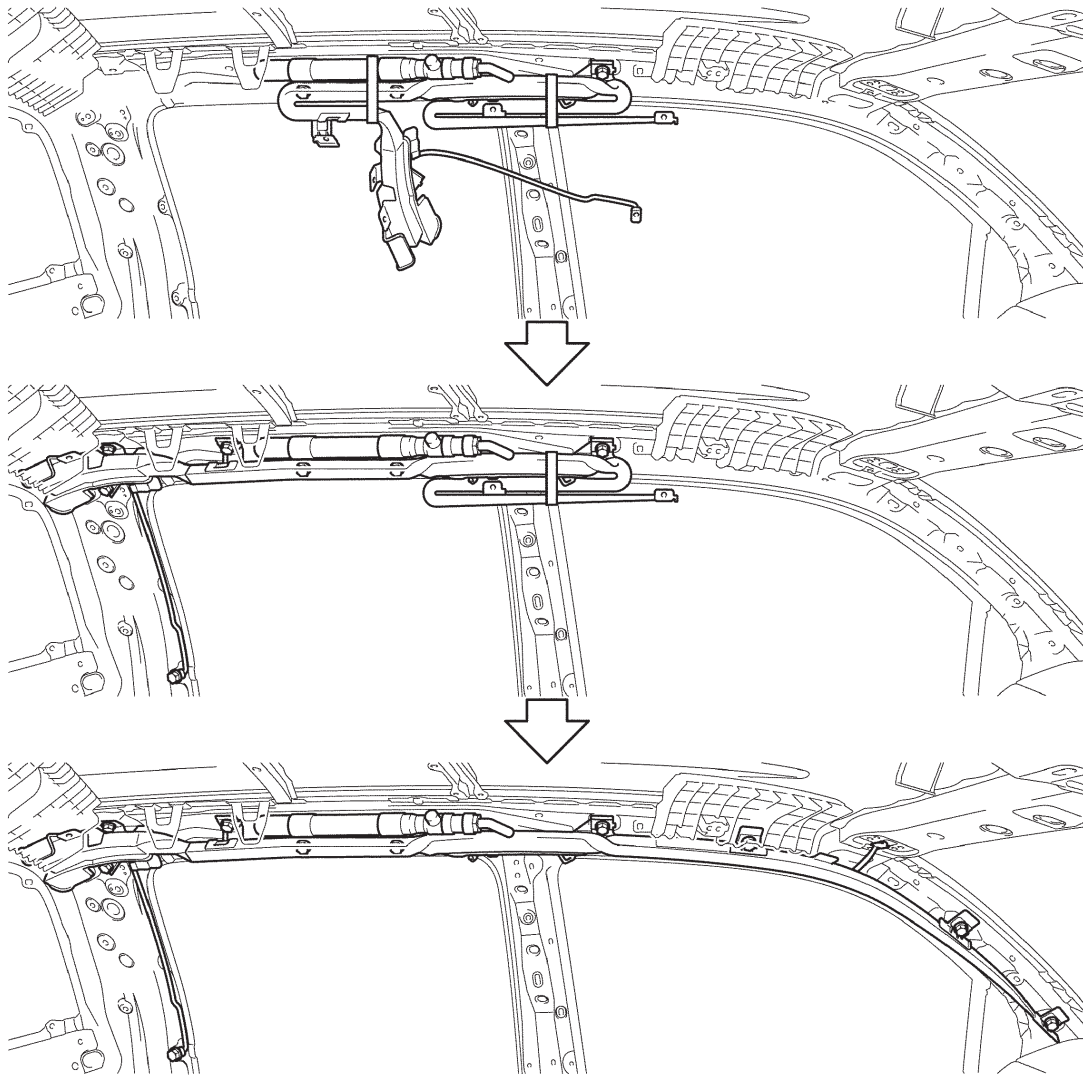
- (b) Remove the 10 bolts, clip and the curtain shield airbag assembly in the order show in the illustration.



INSTALLATION

1. INSTALL CURTAIN SHIELD AIRBAG ASSEMBLY

- (a) Install the curtain shield assembly with the 10 bolts and clip in the order shown in the illustration.



F051334E01

Torque: 9.8 N*m (100 kgf*cm, 7 ft.*lbf)

NOTICE:

Do not twist the curtain shield airbag assembly.

RS

- (b) Connect the connector to the curtain shield airbag assembly.

NOTICE:

When handling the airbag connector, take care not to damage the airbag wire harness.

2. INSTALL ROOF HEADLINING ASSEMBLY

HINT:

Double Cab (See page [IR-21](#))

3. CONNECT CABLE TO NEGATIVE BATTERY TERMINAL

Torque: 3.9 N*m (40 kgf*cm, 35 in.*lbf)

4. INSPECT SRS WARNING LIGHT

(See page [RS-28](#))

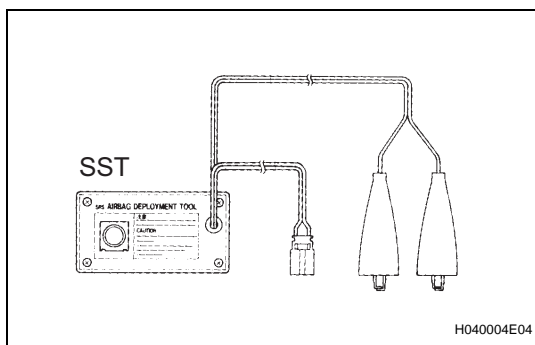
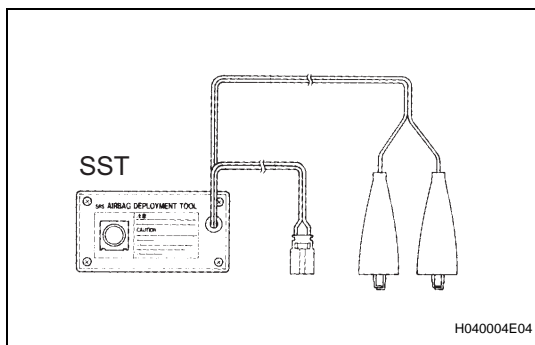
DISPOSAL

HINT:

- Use the same procedures for the RH and sides.
- When scrapping a vehicle equipped with the SRS or disposing of the front seat airbag assembly, be sure to deploy the airbag first in accordance with the procedure described below. If any abnormality occurs with the airbag deployment, contact the SERVICE DEPT. of TOYOTA MOTOR SALES, U.S.A., INC.

CAUTION:

- **Never dispose of a curtain shield airbag assembly that has an undeployed airbag.**
- **The airbag produces an exploding sound when it is deployed, so perform the operation outdoors, where it will not create a nuisance to nearby residents.**
- **When deploying the airbag, always use the specified SST (SRS Airbag Deployment Tool). Perform the operation in a place away from electrical noise.**
- **When deploying the airbag, perform the operation at least 10 m (33 ft) away from the curtain shield airbag assembly.**
- **The curtain shield airbag assembly becomes extremely hot when the airbag is deployed, so do not touch it for at least 30 minutes after deployment.**
- **Use gloves and safety glasses when handling a curtain shield airbag assembly with a deployed airbag.**
- **Always wash your hands with water after completing the operation.**
- **Do not apply water, etc. to a curtain shield airbag assembly with a deployed airbag.**



1. DISPOSE OF CURTAIN SHIELD AIRBAG ASSEMBLY (WHEN INSTALLED IN VEHICLE)

HINT:

Have a battery as the power source to deploy the airbag.

- Check the function of the SST (see step 1-(a) on page [RS-559](#)).
- Precaution (see page [RS-1](#)).
- Disconnect the cable from the battery negative terminal.

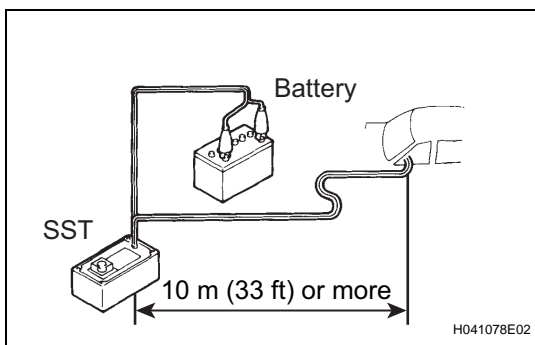
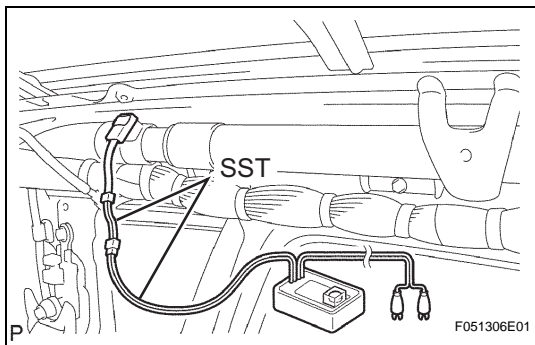
CAUTION:

After disconnecting cable from the battery negative terminal, wait for at least 90 seconds before starting the operation.

- Remove the roof headlining assembly.

HINT:

Double Cab (See page [IR-11](#)).



(e) Install SST.

- (1) Disconnect the connector from the curtain shield airbag assembly.

NOTICE:

When handling the airbag connector, take care not to damage the airbag wire harness.

- (2) After connecting SSTs below to each other, connect them to the curtain shield airbag assembly.

SST 09082-00700, 09082-00802 (09082-10801, 09082-20801)

NOTICE:

To avoid damaging the SST connector and wire harness, do not lock the secondary lock of the twin lock.

- (3) Move SST at least 10 m (33 ft) away from the vehicle rear side window.
- (4) Maintaining enough clearance for the SST wire harness in the rear side window, close all doors and windows of the vehicle.

NOTICE:

Take care not to damage the SST wire harness.

- (5) Connect the red clip of SST to the battery positive (+) terminal and the black clip of SST to negative (-) terminal.

(f) Deploy the airbag.

- (1) Check that no one is inside the vehicle or within a 10 m (33 ft) radius of the vehicle.
- (2) Press the activation switch of the SST and deploy the airbag.

CAUTION:

- **The curtain shield airbag assembly becomes extremely hot when the airbag is deployed, so do not touch it for at least 30 minutes after deployment.**
- **Use gloves and safety glasses when handling a curtain shield airbag assembly with a deployed airbag.**
- **Do not apply water, etc. to a curtain shield airbag assembly with a deployed airbag.**
- **When deploying the airbag, make sure that no one is near the vehicle.**
- **Always wash your hands with water after completing the operation.**

HINT:

The airbag is deployed as the LED of the SST activation switch comes on.

2. DISPOSE OF CURTAIN SHIELD AIRBAG ASSEMBLY (WHEN NOT INSTALLED IN VEHICLE)

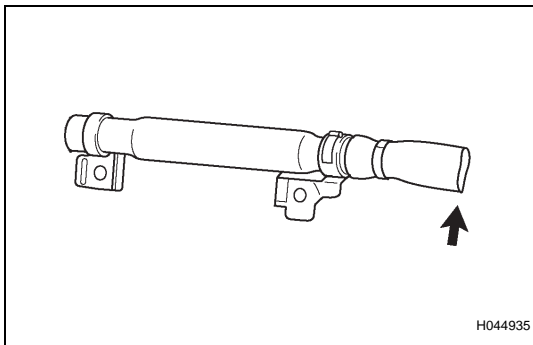
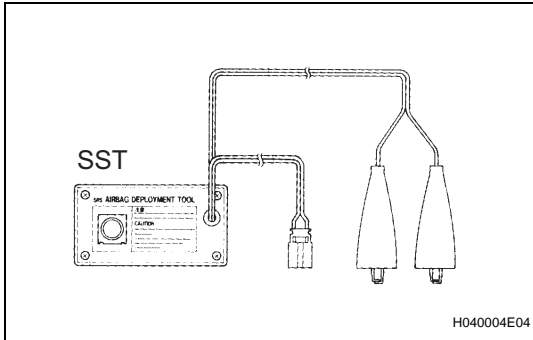
NOTICE:

- When disposing of the curtain shield airbag assembly, never use the customer's vehicle to deploy the airbag.
- Be sure to follow the procedures described below when deploying the airbag.

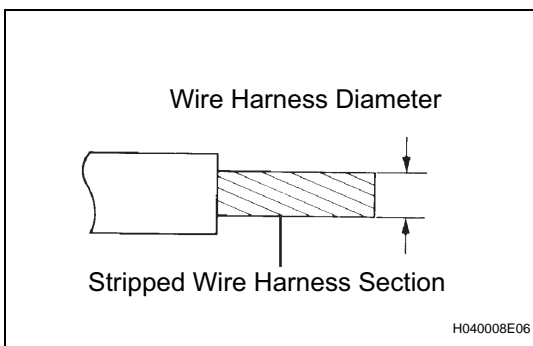
HINT:

Prepare a battery as the power source to deploy the airbag.

- Check the function of the SST (see step 1-(a) on page RS-559).
- Remove the curtain shield airbag assembly (see page RS-587).



- Cut off the deployment section of the curtain shield airbag assembly.



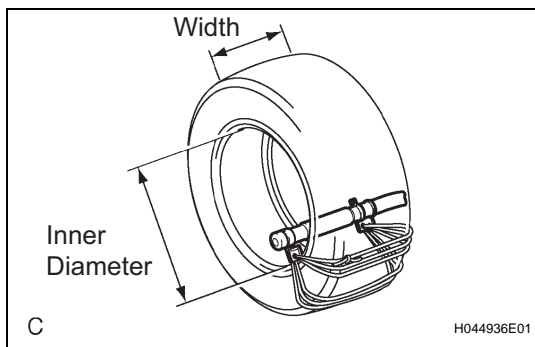
- Using a service-purpose wire harness for the vehicle, tie the curtain shield airbag assembly to the tire.

Wire harness:

Stripped wire harness section 1.25 mm² or more (0.0019 in.². or more)

CAUTION:

If the wire harness is too thin or any other object is used to tie down the curtain shield airbag assembly, it may be snapped by the shock when the airbag is deployed. Always use a wire harness for vehicle use with the wire size of at least 1.25 mm² (0.0019 in.²).

**HINT:**

To calculate the area of the stripped wire harness section:

Area:

$$3.14 \times (\text{Diameter})^2 \text{ divided by } 4$$

- (1) Position the curtain shield airbag assembly inside the tire as shown in the illustration.

Tire size:

Must exceed the following dimensions:

Width: 185 mm (7.28 in.)

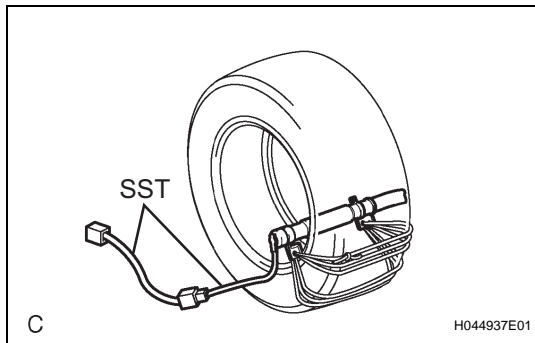
Inner diameter: 360 mm (14.17 in.)

CAUTION:

Make sure that the wire harness is tight. If the wire harness is loose, the curtain shield airbag assembly may become loose due to the shock when the airbag is deployed.

NOTICE:

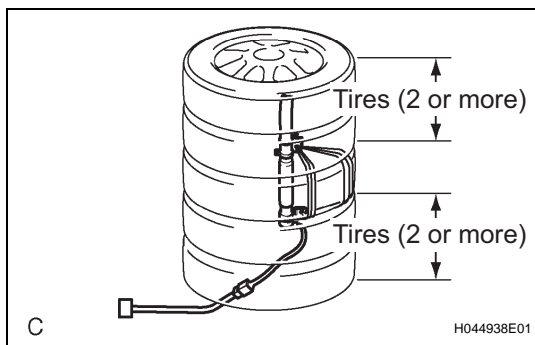
The tire will be marked by the airbag deployment, so use spare tires.



- (e) Install SST.

- (1) After connecting SST below to each other, connect them to the curtain shield airbag assembly.

SST 09082-00802 (09082-10801, 09082-20801)



- (f) Place the tires.

CAUTION:

Do not place the deployment side of the curtain shield airbag assembly facing toward the ground.

- (1) Place at least 2 tires under the tire which the curtain shield airbag assembly is tied to.
 (2) Place at least 2 tires over the tire which the curtain shield airbag assembly is tied to. The top tire should have the disc wheel installed.

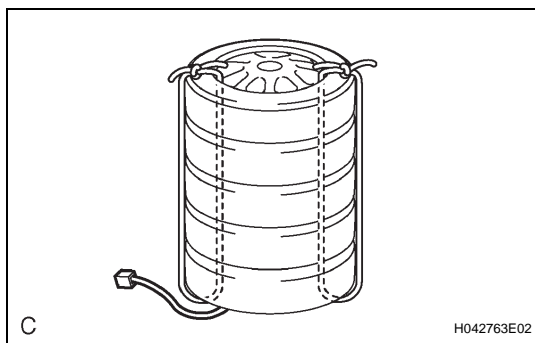
NOTICE:

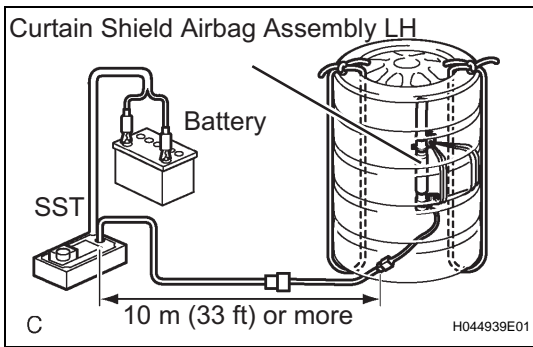
Do not place the SST connector under the tire because it could be damaged.

- (3) Tie the tires together with 2 wire harnesses.

CAUTION:

Make sure that the wire harness is tight. A loose wire harness may cause the tires to come free due to the shock when the airbag is deployed.





- (g) Install the SST.
Connect the connector of SST.

SST 09082-00700

NOTICE:

To avoid damaging the SST connector and wire harness, do not lock the secondary lock of the twin lock. Also, secure some slack for the SST wire harness inside the tire.

- (h) Deploy the airbag.
- (1) Connect the red clip of SST to the battery positive (+) terminal and the black clip of SST to the battery negative (-) terminal.
 - (2) Check that no one is within a 10 m (33 ft) radius of the tire to which the curtain shield airbag assembly is tied.
 - (3) Press the activation switch of SST and deploy the airbag.

CAUTION:

When deploying the airbag, make sure that no one is near the tire.

HINT:

The airbag is deployed as the LED of the SST activation switch comes on.



- (i) Dispose of the curtain shield airbag assembly.

CAUTION:

- **The curtain shield airbag assembly becomes extremely hot when the airbag is deployed, so do not touch it for at least 30 minutes after deployment.**
- **Use gloves and safety glasses when handling a curtain shield airbag assembly with the deployed airbag.**
- **Do not apply water etc. to a curtain shield airbag assembly with the deployed airbag.**
- **Always wash your hands with water after completing the operation.**

- (1) Remove the curtain shield airbag assembly from the tire.
- (2) Place the curtain shield airbag assembly in a plastic bag, tie the end tightly and dispose of it in the same way as other general parts.