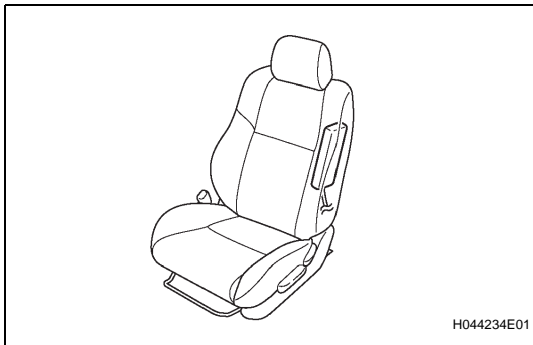


FRONT SEAT SIDE AIRBAG ASSEMBLY

ON-VEHICLE INSPECTION

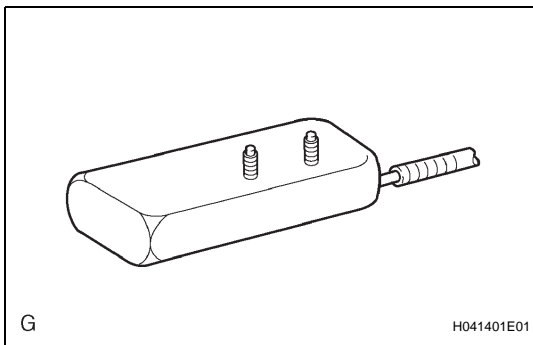
1. FRONT SEAT SIDE AIRBAG ASSEMBLY (for Vehicle not Involved in Collision)

- (a) Perform a diagnostic system check (see page [RS-37](#)).
- (b) With the front seat airbag assembly installed on the vehicle, perform a visual check. If there are any defects as mentioned below, replace the front seat assembly with a new one:
Cuts, minute cracks or marked discoloration on the front seat back assembly around the front seat airbag assembly.



2. FRONT SEAT SIDE AIRBAG ASSEMBLY (for Vehicle Involved in Collision and Airbag not Deployed)

- (a) Perform a diagnostic system check (see page [RS-37](#)).
- (b) With the front seat airbag assembly removed from the vehicle, perform a visual check. If there are any defects as mentioned below, replace the front seat airbag assembly with a new one:
 - Cuts, minute cracks or marked discoloration on the front seat airbag assembly.
 - Cracks or other damage to the wire harness or connector.



CAUTION:

For removal and installation procedures of the front seat airbag assembly. Be sure to follow the correct procedure.

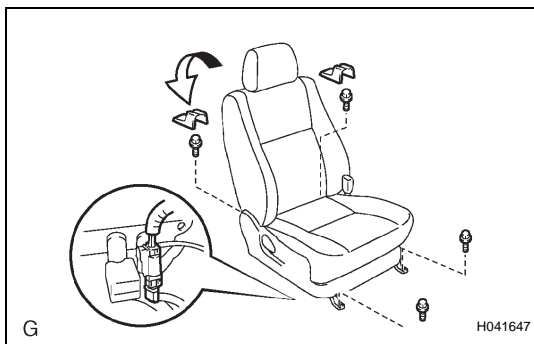
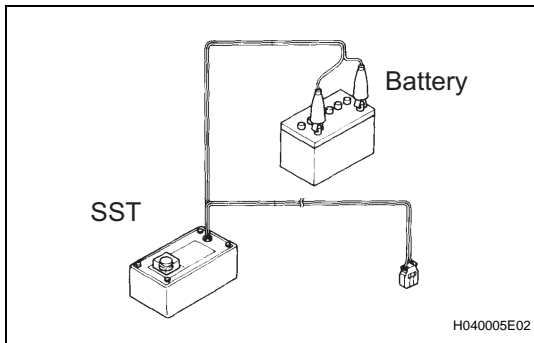
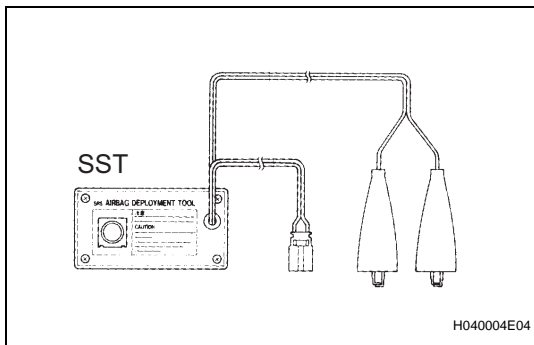
DISPOSAL

HINT:

- When scrapping a vehicle equipped with the SRS or disposing of the front seat side airbag assembly, be sure to deploy the airbag in accordance with the procedure described below. If any abnormality occurs with the airbag deployment, contact the SERVICE DEPT. of TOYOTA MOTOR SALES, U.S.A., INC.
- When disposing of a front seat side airbag assembly with an airbag deployed in a collision, follow the procedure in step 1-(e) in DISPOSAL.

CAUTION:

- **Never dispose of a front seat side airbag assembly which has an undeployed airbag.**
- **The airbag produces a loud exploding sound when it deploys, so perform the operation outdoors, where it will not create a nuisance to nearby residents.**
- **When deploying the airbag, always use the specified SST (SRS Airbag Deployment Tool), perform the operation in a place away from electrical noise.**
- **When deploying an airbag, perform the operation at least 10 m (33 ft) away from the airbag assembly.**
- **The front seat side airbag assembly becomes extremely hot when the airbag is deployed, so do not touch it for at least 30 minutes after deployment.**
- **Use gloves and safety glasses when handling a front seat side airbag assembly with a deployed airbag.**
- **Always wash your hands with water after completing the operation.**
- **Do not apply water, etc. to a front seat side airbag assembly with the deployed airbag.**



1. DISPOSE OF FRONT SEAT SIDE AIRBAG ASSEMBLY (WHEN SCRAPPING VEHICLE DEPLOYMENT METHOD)

HINT:

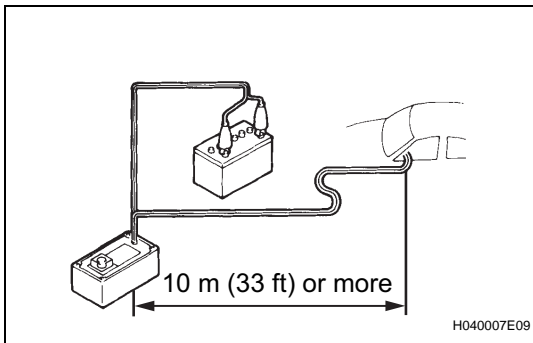
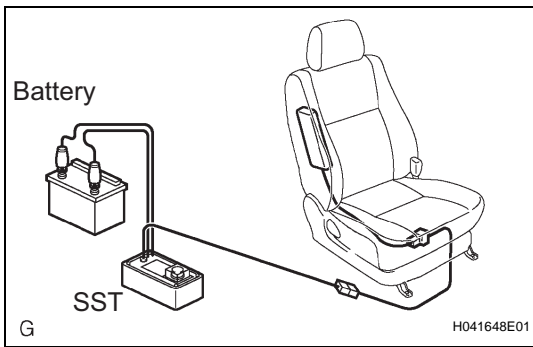
Have a battery as the power source to deploy the airbag.

- (a) Check the function of SST (see step 1-(a) on page [RS-559](#)).

- (b) Disconnect the front seat side airbag assembly connector.

NOTICE:

When handling the airbag connector, take care not to damage the airbag wire harness.



- (c) Set SST.
- (1) Connect the connectors of 2 SSTs to the front seat side airbag assembly connector.
SST 09082-00700, 09082-00750
NOTICE:
To avoid damaging the SST connector and wire harness, do not lock the secondary lock of the twin lock.
 - (2) Move SST at least 10 m (33 ft) away from the front of the vehicle.
 - (3) Close all the doors and windows of the vehicle.
NOTICE:
Take care not to damage the SST wire harness.
 - (4) Connect the SST red clip to the battery positive (+) terminal and the black clip to the battery negative (-) terminal.
- (d) Deploy the airbag.
- (1) Check that no one is inside the vehicle or within a 10 m (33 ft) radius of the vehicle.
 - (2) Press the SST activation switch and deploy the airbag.
HINT:
 The airbag deploys simultaneously when the LED of the SST activation switch lights up.
- (e) Dispose of the front seat side airbag assembly.
CAUTION:
- **The front seat side airbag assembly becomes extremely hot when the airbag is deployed, so do not touch it for at least 30 minutes after deployment.**
 - **Use gloves and safety glasses when handling a front seat side airbag assembly a the deployed airbag.**
 - **Do not apply water, etc. to a front seat side airbag assembly with the deployed airbag.**
 - **Always wash your hands with water after completing the operation.**

HINT:

When scrapping a vehicle, deploy the airbag and scrap the vehicle with the front seat side airbag assembly installed.

2. DISPOSE OF FRONT SEAT SIDE AIRBAG ASSEMBLY (WHEN DISPOSING OF AIRBAG ASSEMBLY DEPLOYMENT METHOD)

NOTICE:

- **When disposing of the front seat side airbag assembly only, never use the customers vehicle to deploy the airbag.**
- **Be sure to follow the procedure given below when deploying the airbag.**

HINT:

Prepare a battery as the power source to deploy the airbag.

- (a) Remove the front seat side airbag assembly.

- (1) Remove the 2 nuts and front seat side airbag assembly from the seatback assembly.

CAUTION:

Place the front seat side airbag assembly with the airbag deployment side facing upward.

- (b) Using a service-purpose wire harness, tie down the front seat side airbag assembly.

Wire harness:

Stripped wire harness section 1.25 mm² or more (0.0019 in² or more)

CAUTION:

If the wire harness is too thin or any other object is used to tie down the front seat side airbag assembly, it may be snapped by the shock when the airbag is deployed. This is highly dangerous. Be sure to use a wire harness for vehicle use with the wire size of at least 1.25 mm² (0.0019 in²).

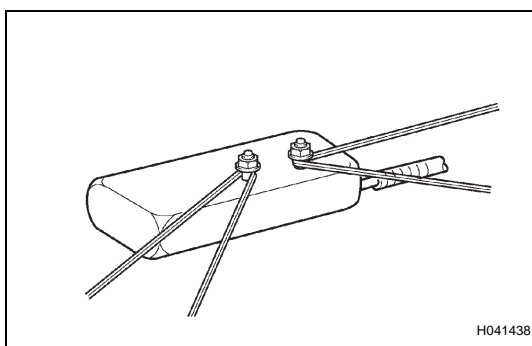
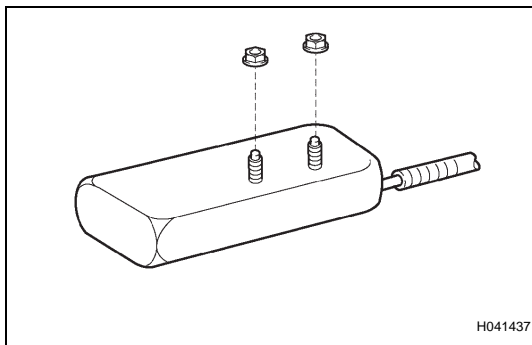
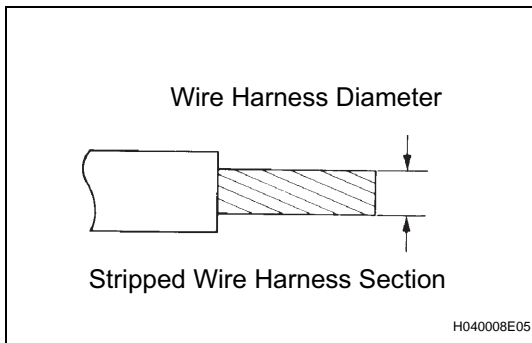
HINT:

To calculate the area of the stripped wire harness section :

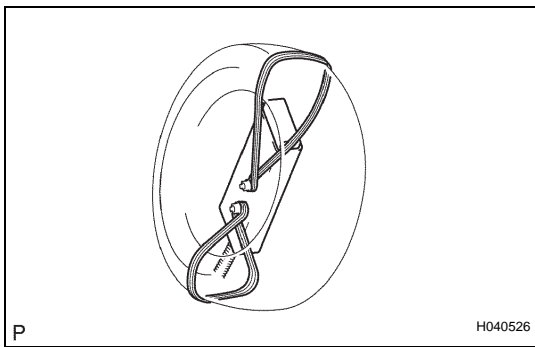
Area:

$3.14 \times (\text{Diameter})^2$ divided by 4

- (1) Install the 2 nuts in the front seat side airbag assembly.



- (2) Wind the wire harness around the stud bolts of the front seat side airbag assembly, as shown in the illustration.



- (3) Position the front seat side airbag assembly inside the tire with the airbag deployment side facing inside.

Tire size:

Must exceed the following dimensions:

Width: 185 mm (7.28 in.)

Inner diameter: 360 mm (14.17 in.)

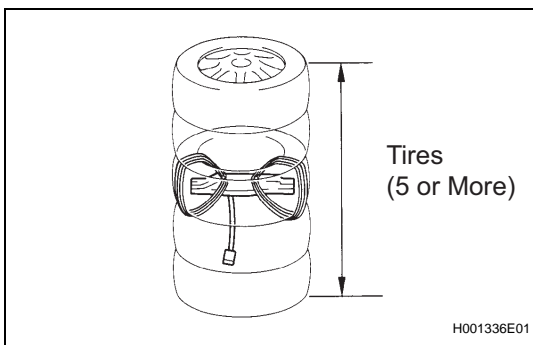
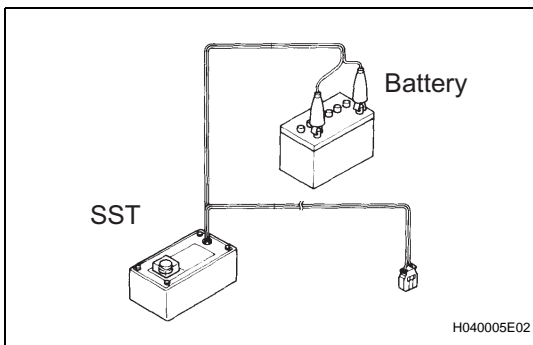
CAUTION:

- **Make sure that the wire harness is tight. It is very dangerous if it is loose, as this could cause the front seat side airbag assembly to come free due to the shock when the airbag is deployed.**
- **Always tie down the front seat side airbag assembly with the airbag deployment side facing inside.**

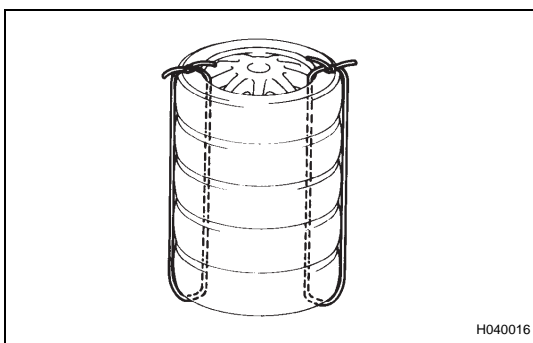
NOTICE:

The tires will be marked by the airbag deployment, so use spare tires.

- (c) Check the function of SST (see step 1-(a) on page [RS-559](#)).



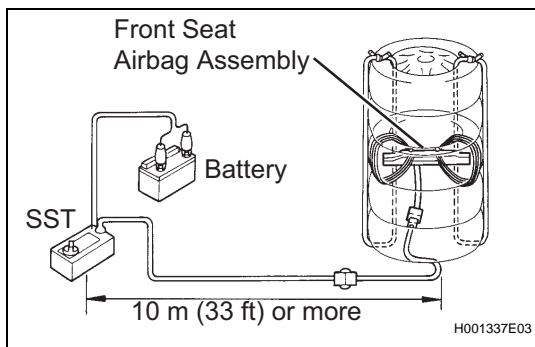
- (d) Place tires.
- (1) Place at least 2 tires under the tire to which the front seat side airbag assembly is tied.
 - (2) Place at least 2 tires over the tire to which the front seat side airbag assembly is tied. The top tire should have the wheel installed.



- (3) Tie the tires together with 2 wire harnesses.
- CAUTION:**
Make sure that the wire harness is tight. It is very dangerous if it is loose, as this could cause the tires to come free due to the shock when the airbag is deployed.

HINT:

Place the SST connector and wire harness inside the tires. Secure at least 1 m (3 ft) of slack for the wire harness.



- (e) Set SST.
Connect the connectors of 2 SSTs to the front seat side airbag assembly connector.

NOTICE:

To avoid damaging the SST connector and wire harness, do not lock the secondary lock of the twin lock.

- (f) Deploy the airbag.
- (1) Connect the red clip of SST to the battery positive (+) terminal and the black clip to the battery negative (-) terminal.
 - (2) Check that no one is within a 10 m (33 ft) radius of the tire to which the front seat side airbag assembly is tied.
 - (3) Press the SST activation switch and deploy the airbag.
- HINT:
The airbag deploys simultaneously when the LED of the SST activation switch lights up.



- (g) Dispose of the front seat side airbag assembly.

CAUTION:

- **The front seat side airbag assembly becomes extremely hot when the airbag is deployed, so do not touch it for at least 30 minutes after deployment.**
- **Use gloves and safety glasses when handling a front seat side airbag assembly with the deployed airbag.**
- **Do not apply water etc. to a front seat side airbag assembly with the deployed airbag.**
- **Always wash your hands with water after completing the operation.**

- (1) Remove the front seat side airbag assembly from the tire.
- (2) Place the front seat side airbag assembly in a vinyl bag, tie the end tightly and dispose of it in the same way as other general parts.