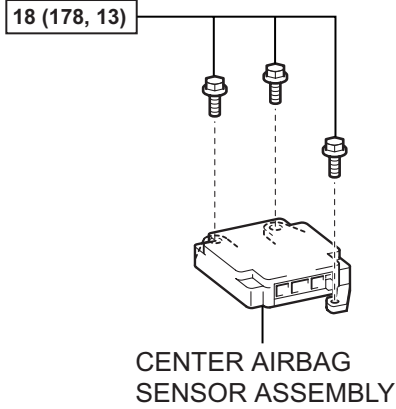


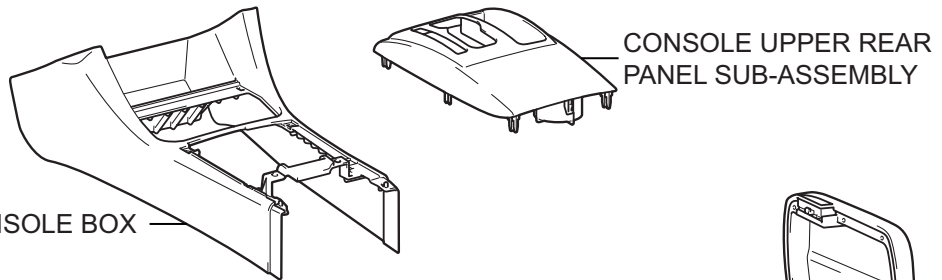
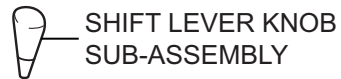
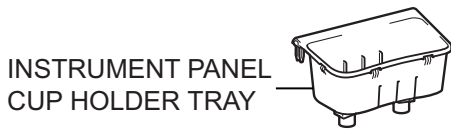
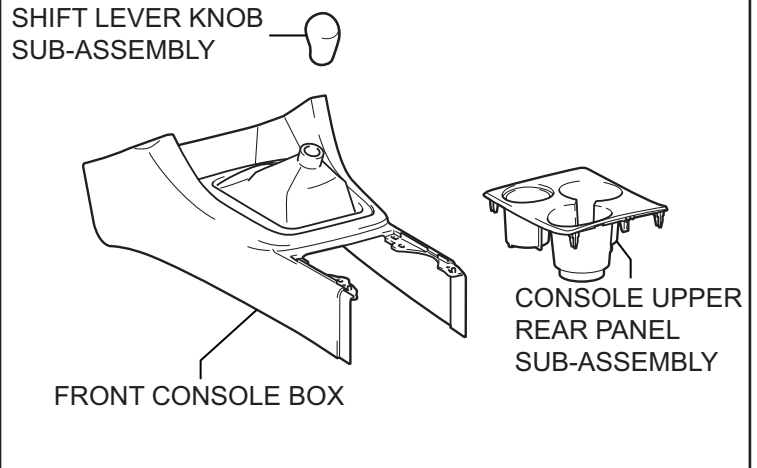
# CENTER AIRBAG SENSOR ASSEMBLY

## COMPONENTS

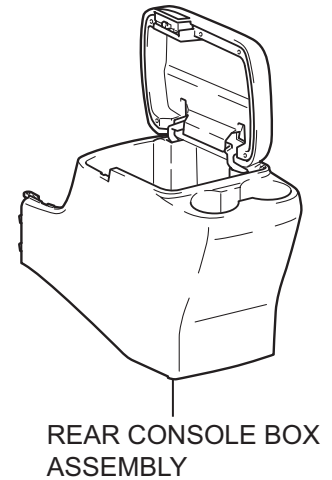
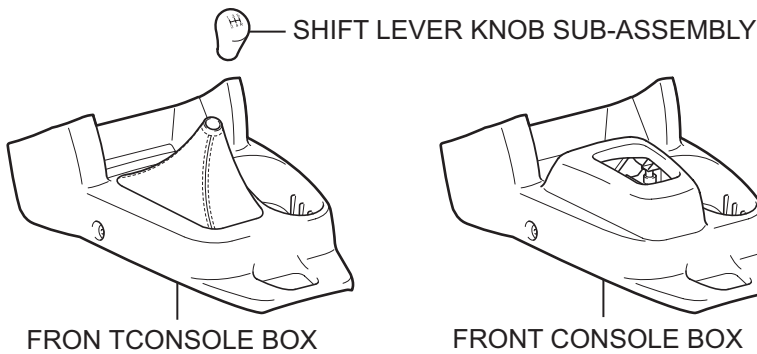
### Automatic Transmission, Separate Seat:



### Manual Transmission, Separate Seat:



### Bench Seat:



[N\*m (kgf\*cm, ft.\*lbf)] : Specified torque

## ON-VEHICLE INSPECTION

1. **INSPECT CENTER AIRBAG SENSOR ASSEMBLY (for Vehicle not Involved in Collision)**
  - (a) Perform a diagnostic system check (see page [RS-37](#)).
2. **INSPECT CENTER AIRBAG SENSOR ASSEMBLY (for Vehicle Involved in Collision and Airbag not Deployed)**
  - (a) Perform a diagnostic system check (see page [RS-37](#)).
3. **INSPECT CENTER AIRBAG SENSOR ASSEMBLY (for Vehicle Involved in Collision)**
  - (a) Replace the front airbag sensor.

**CAUTION:**  
For removal and installation procedures of the front airbag sensor. Be sure to follow the correct procedure.

**HINT:**  
The front airbag sensor should be replaced after any of the airbags has deployed, as it has been subjected to the impact.