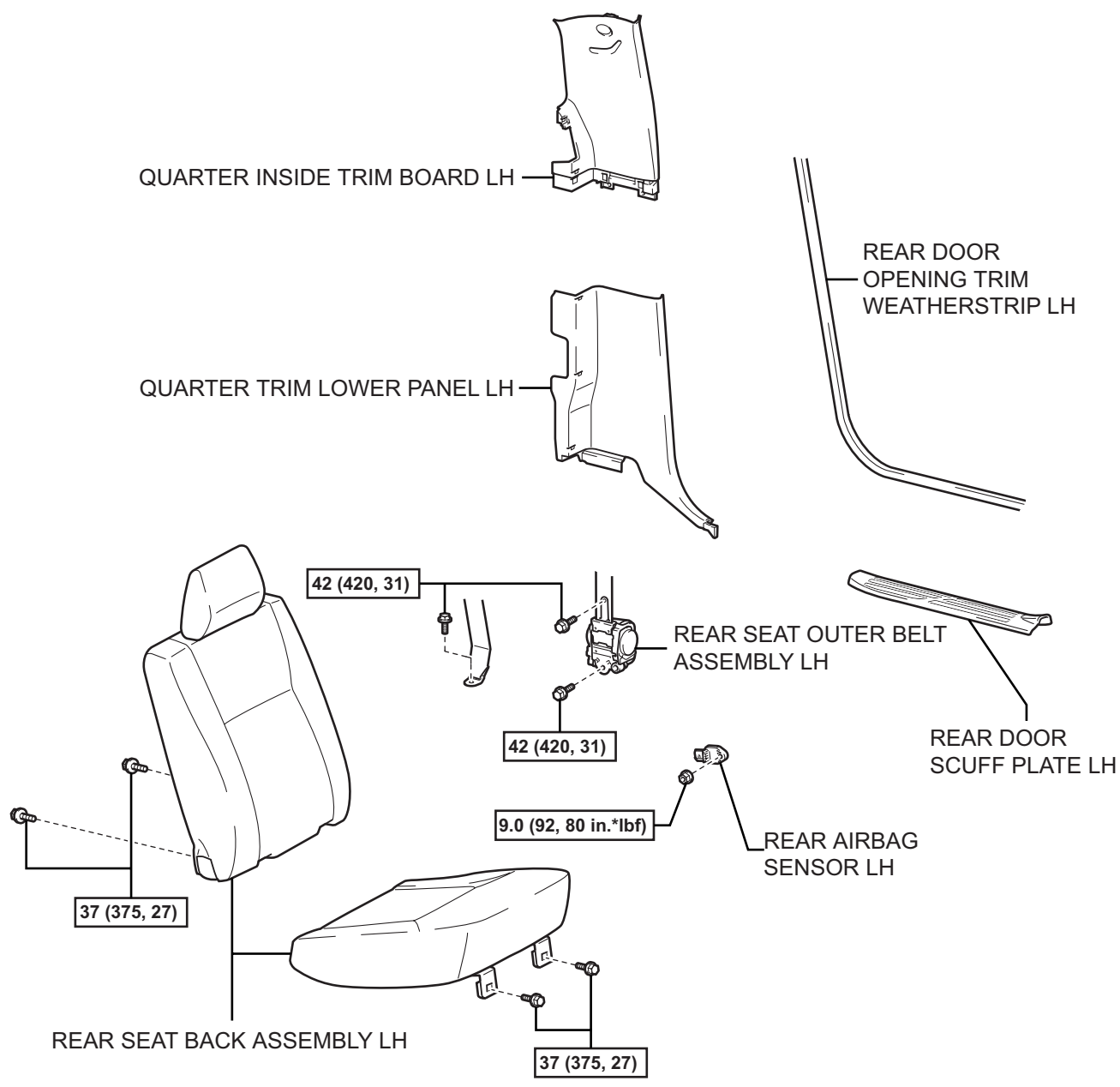


REAR AIRBAG SENSOR

COMPONENTS



RS

$\text{N}\cdot\text{m}$ ($\text{kgf}\cdot\text{cm}$, $\text{ft}\cdot\text{lbf}$) : Specified torque

ON-VEHICLE INSPECTION

1. **INSPECT REAR AIRBAG SENSOR (for Vehicle not Involved in Collision)**
 - (a) Perform a diagnostic system check (see page [RS-37](#)).
2. **INSPECT REAR AIRBAG SENSOR (for Vehicle Involved in Collision and Airbag not Deployed)**
 - (a) Perform a diagnostic system check (see page [RS-37](#)).
 - (b) When the quarter panel of the vehicle or its area is damaged, check if there is any damage to the rear airbag sensor. If there are any defects as mentioned below, replace the rear airbag sensor with a new one:
 - Cracks, dents or chips on the sensor housing.
 - Cracks or other damage to the connector.
 - Peeling off of the label or damage to the serial number.

CAUTION:
For removal and installation procedures of the rear airbag sensor. Be sure to following the correct procedure.
3. **INSPECT REAR AIRBAG SENSOR (for Vehicle Involved in Collision)**
 - (a) Replace the rear airbag sensor.

CAUTION:
For removal and installation procedures of the rear airbag sensor. Be sure to follow the correct procedure.

HINT:
The rear airbag sensor on the impacted side should be replaced after the curtain shield airbag assembly has deployed.