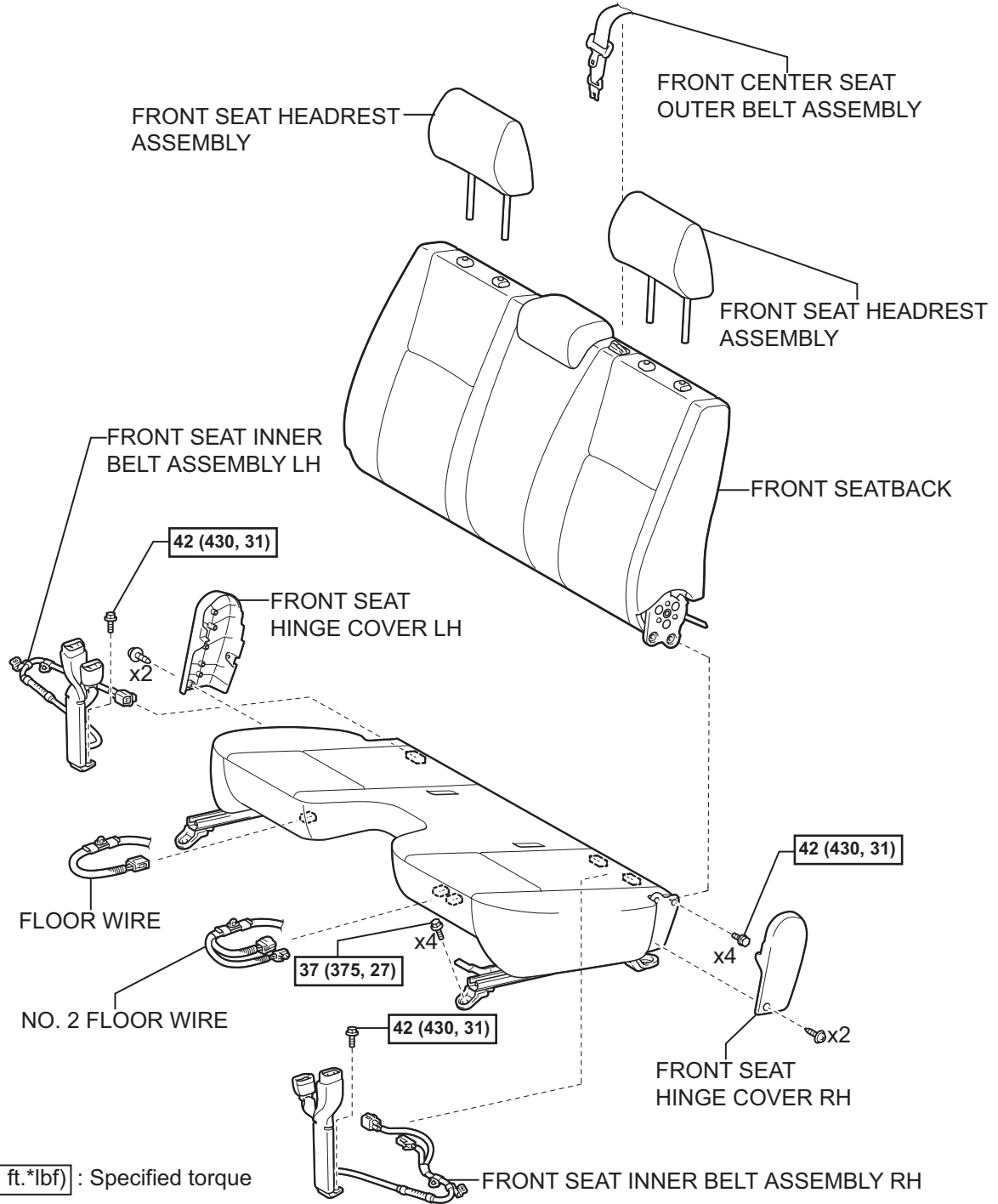


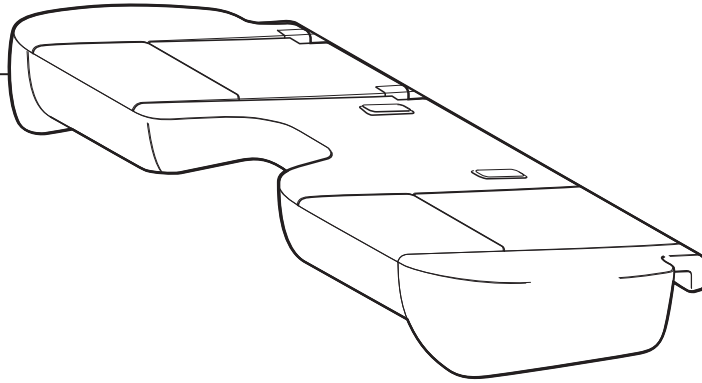
# FRONT SEAT CUSHION ASSEMBLY (w/ Occupant Classification ECU, Occupant Classification Sensor)

## COMPONENTS

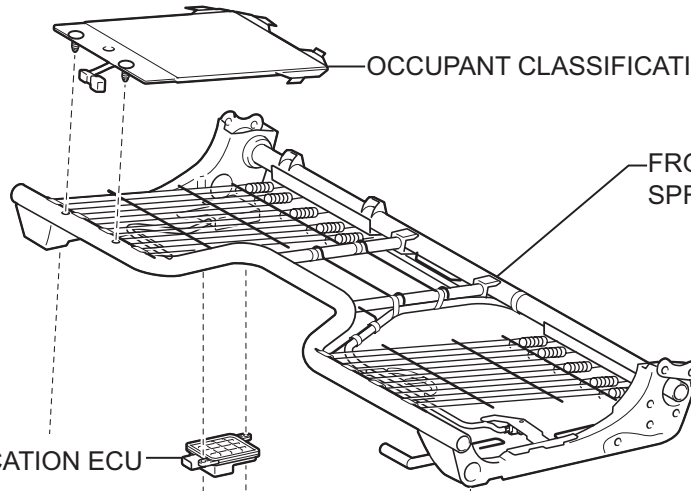


RS

FRONT SEAT CUSHION COVER PAD



OCCUPANT CLASSIFICATION SENSOR

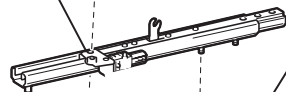


FRONT SEAT CUSHION SPRING ASSEMBLY

OCCUPANT CLASSIFICATION ECU

3.0 (30, 27 in.\*lbf)

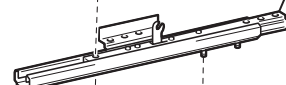
FRONT SEAT OUTER TRACK ASSEMBLY RH



FRONT SEAT TRACK LOWER REAR BRACKET RH



FRONT SEAT OUTER TRACK ASSEMBLY LH



FRONT SEAT TRACK LOWER REAR BRACKET LH



FRONT SEAT TRACK LOWER FRONT BRACKET RH



FRONT SEAT TRACK LOWER FRONT BRACKET LH



x4

20 (205, 15)

x2

32 (325, 24)

x4

20 (205, 15)

x2

32 (325, 24)

32 (325, 24)

N\*m (kgf\*cm, ft.\*lbf) : Specified torque

RS