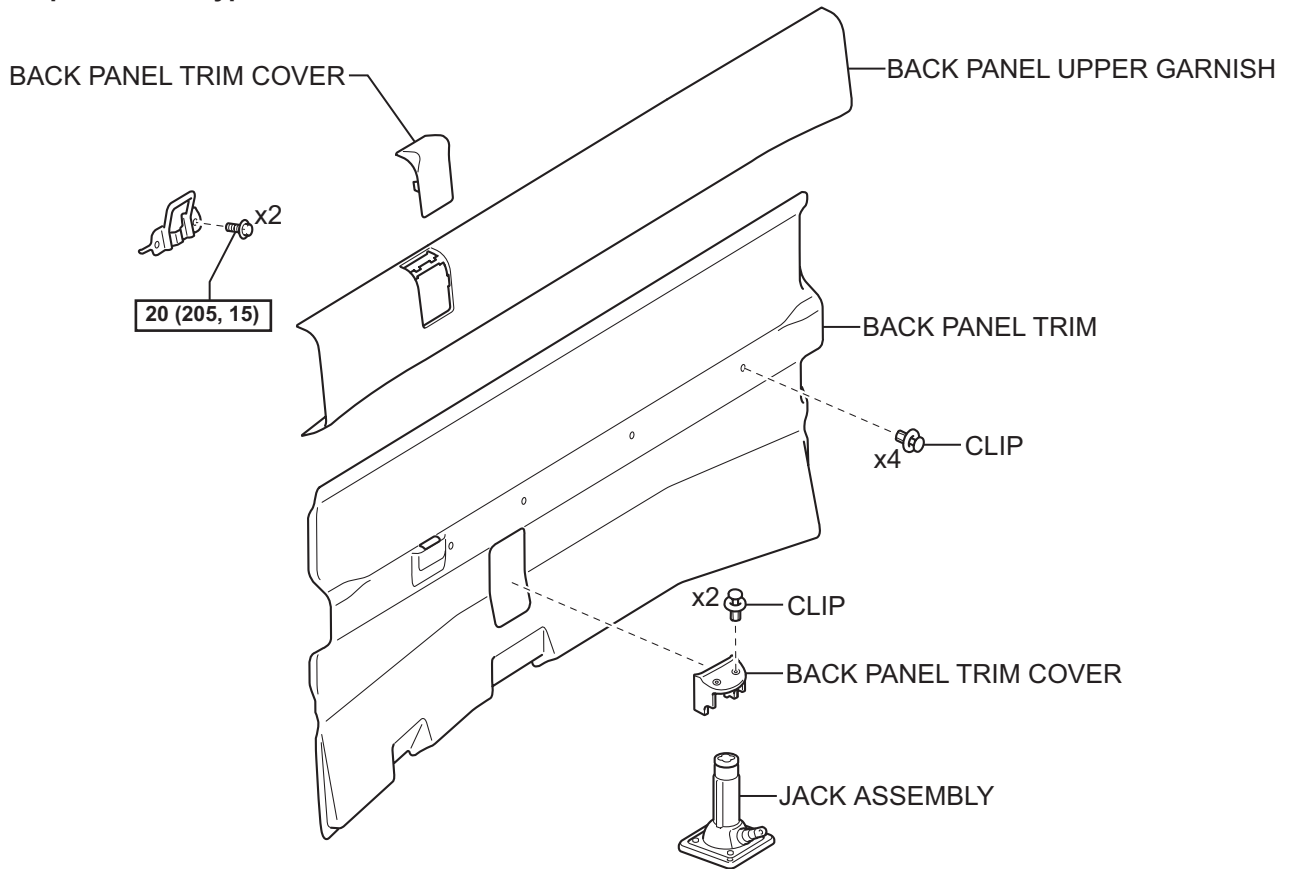


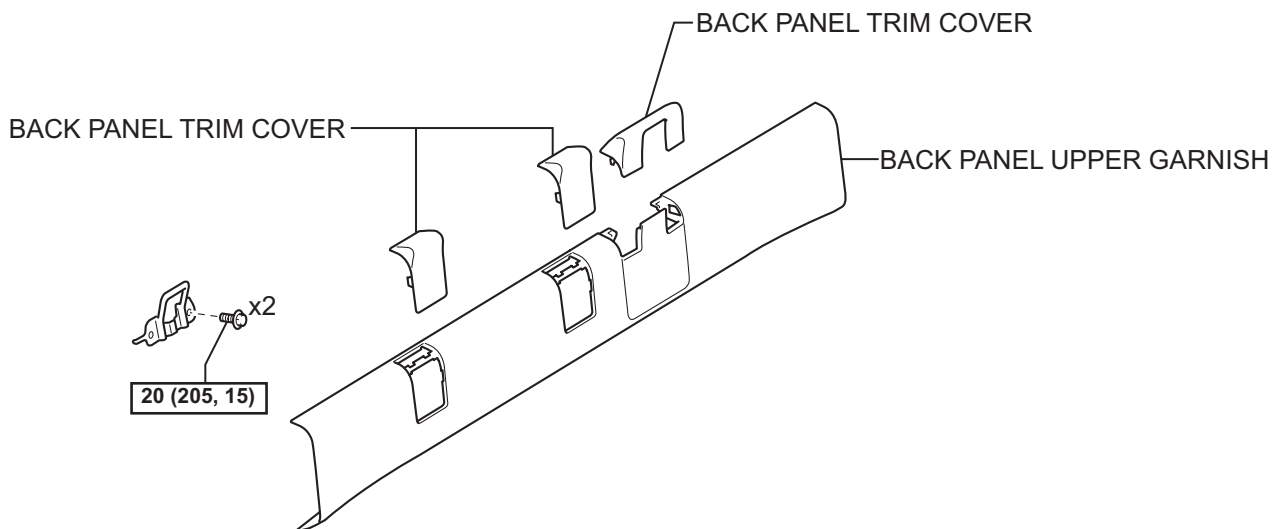
FRONT SEAT OUTER BELT ASSEMBLY (for Regular Cab)

COMPONENTS

for Separate Seat Type:

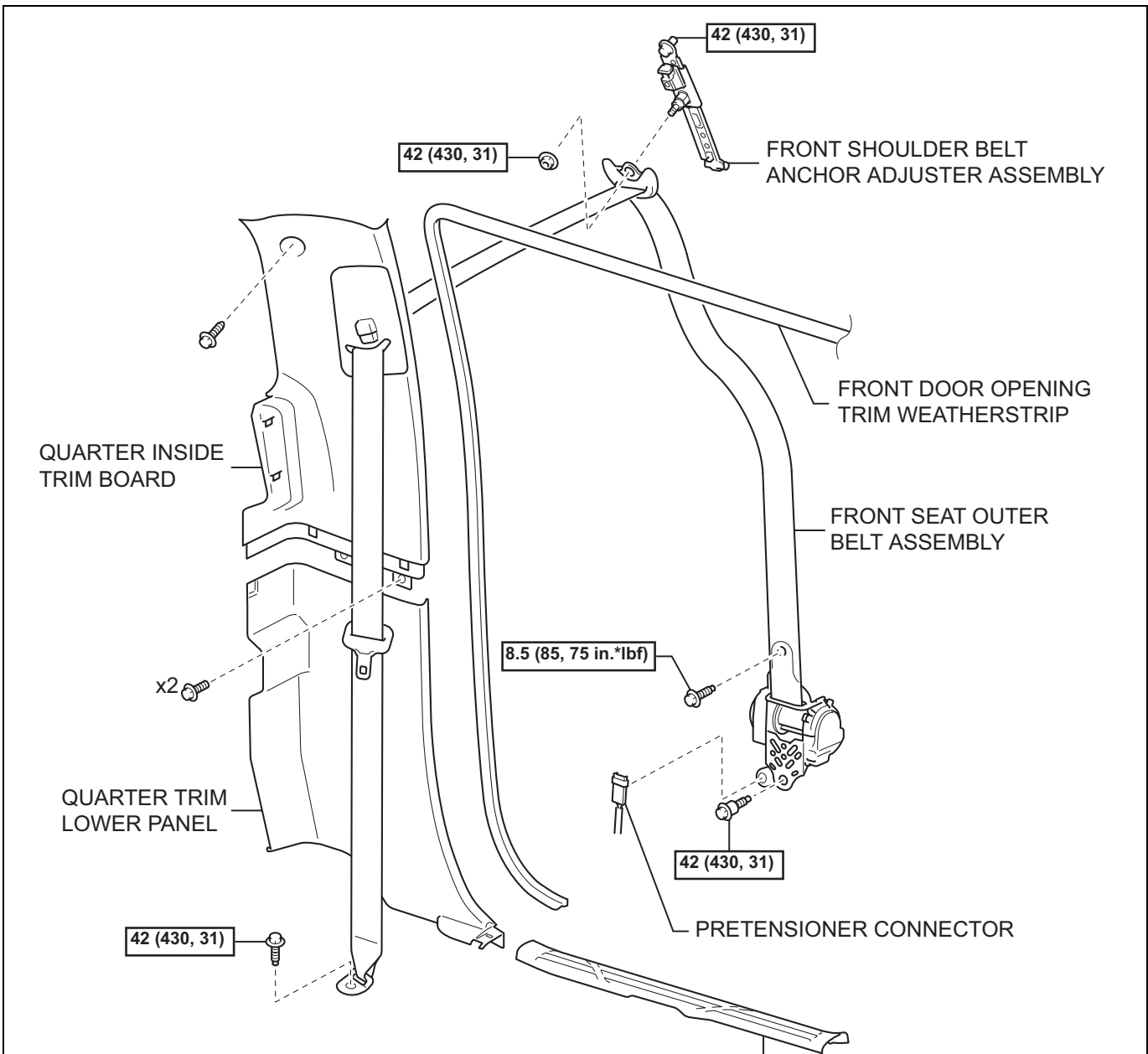


for Bench Seat Type:

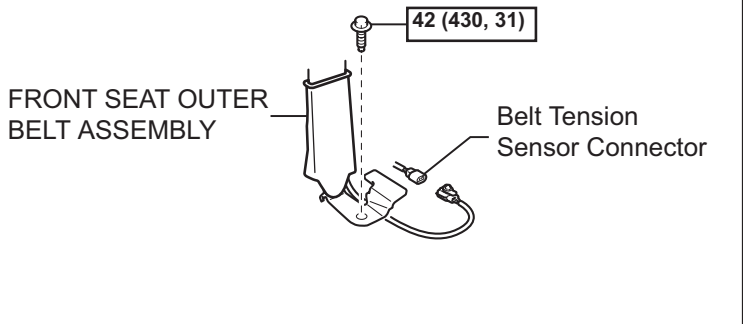


N*m (kgf*cm, ft*lbf) : Specified torque

SB



for Bench Seat Type RH Side:



N*m (kgf*cm, ft*lbf) : Specified torque

SB