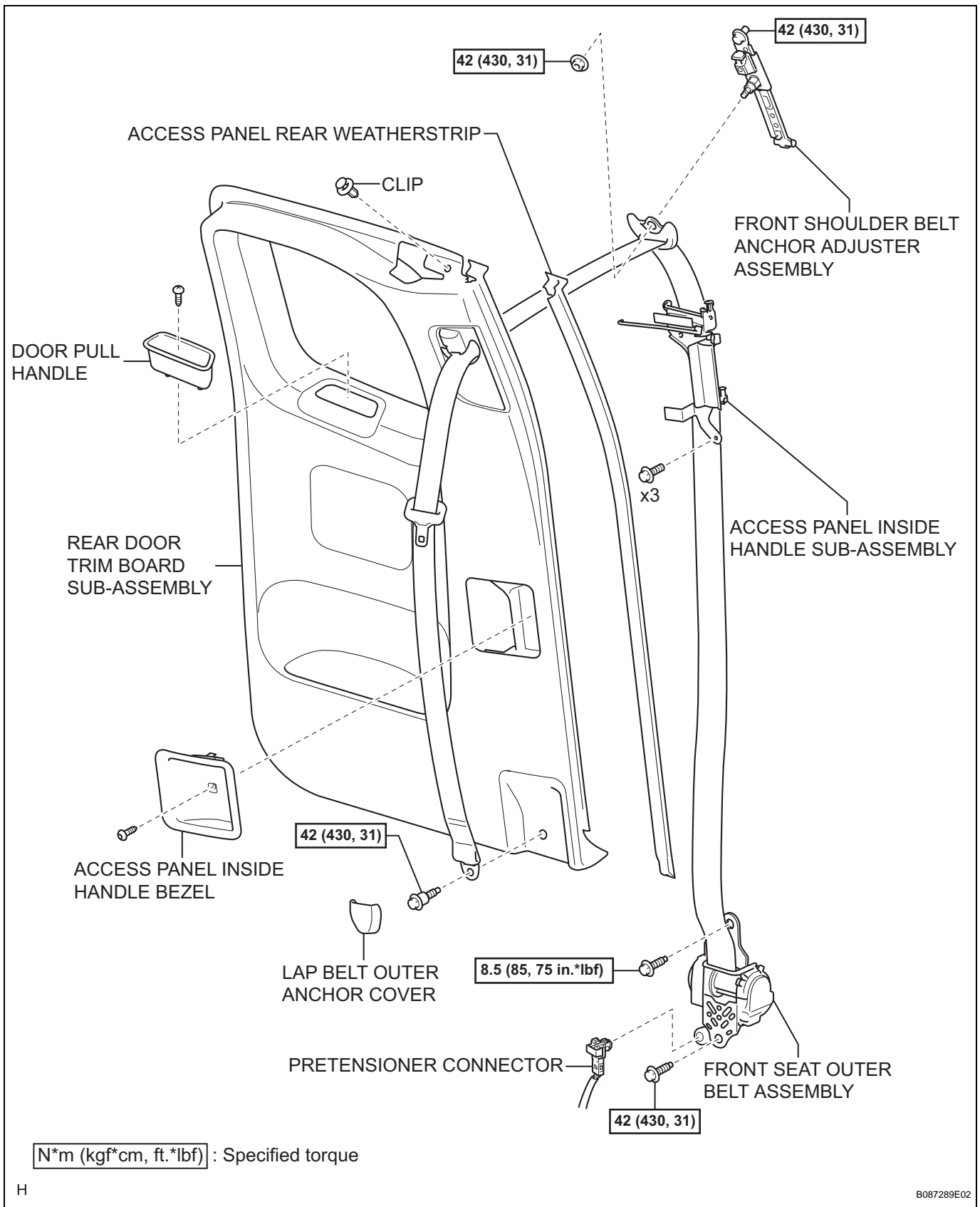


FRONT SEAT OUTER BELT ASSEMBLY (for Access Cab)

COMPONENTS



REMOVAL

CAUTION:

Some of these service operations affect the SRS airbag system. Read the precautionary notices concerning the SRS airbag system before servicing (See page [RS-1](#)).

1. DISCONNECT CABLE FROM NEGATIVE BATTERY TERMINAL

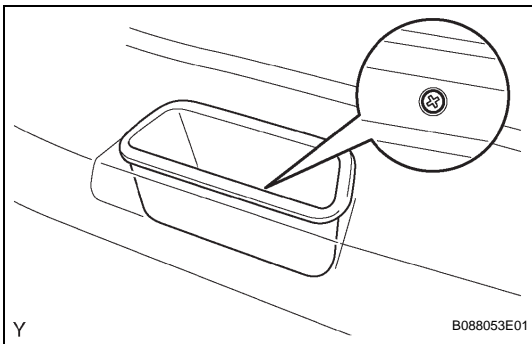
Wait for at least 90 seconds after disconnecting the cable to prevent the air bag from working.

2. REMOVE ACCESS PANEL REAR WEATHERSTRIP (See page [ED-53](#))

3. REMOVE LAP BELT OUTER ANCHOR COVER (See page [ED-53](#))

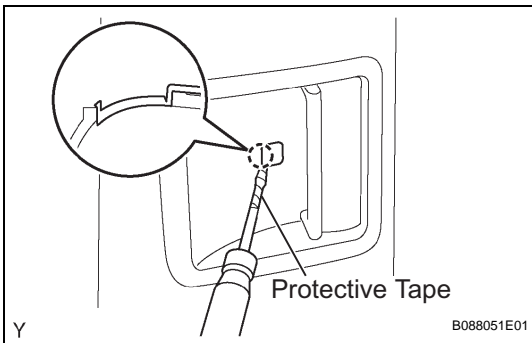
4. REMOVE DOOR PULL HANDLE

- (a) Remove the screw, then remove the door pull handle.

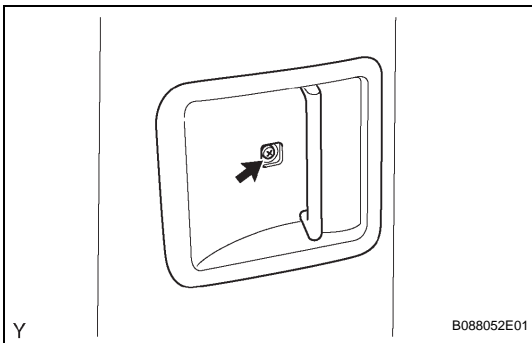


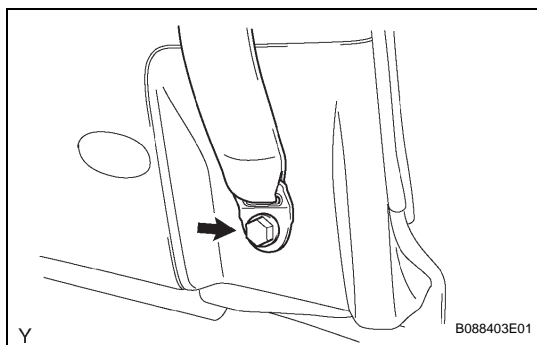
5. REMOVE ACCESS PANEL INSIDE HANDLE BEZEL

- (a) Using a screwdriver with its tip wrapped in protective tape, open the cover.



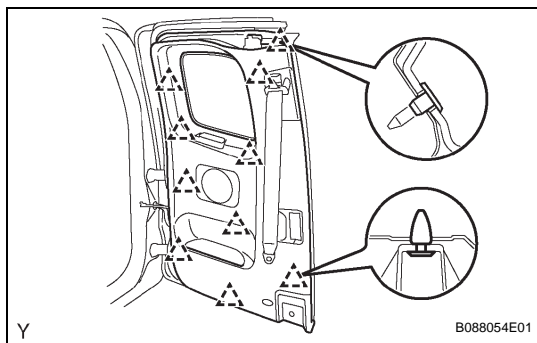
- (b) Remove the screw, then remove the access panel inside handle bezel.





6. REMOVE REAR DOOR TRIM BOARD SUB-ASSEMBLY

- (a) Remove the bolt and floor anchor of the front seat outer belt.



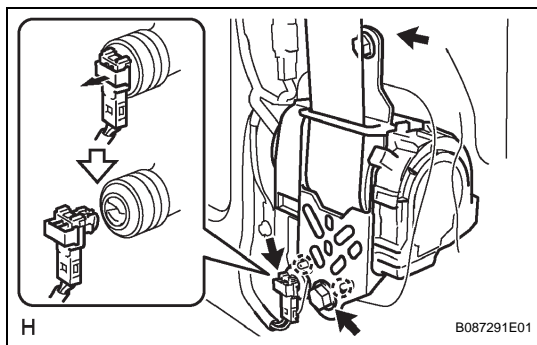
- (b) Remove the clip.
- (c) Disengage the 9 clips and remove the rear door trim board.

7. REMOVE ACCESS PANEL INSIDE HANDLE SUB-ASSEMBLY (See page ED-54)

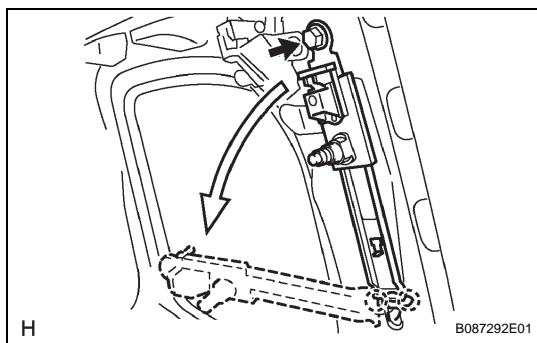


8. REMOVE FRONT SEAT OUTER BELT ASSEMBLY

- (a) Remove the nut and shoulder anchor.



- (b) Disconnect the pretensioner connector as shown in the illustration.
- (c) Remove the 2 bolts and retractor.



9. REMOVE FRONT SHOULDER BELT ANCHOR ADJUSTER ASSEMBLY

- (a) Remove the bolt.
- (b) Disengage the 2 claws and remove the front shoulder belt anchor adjuster.