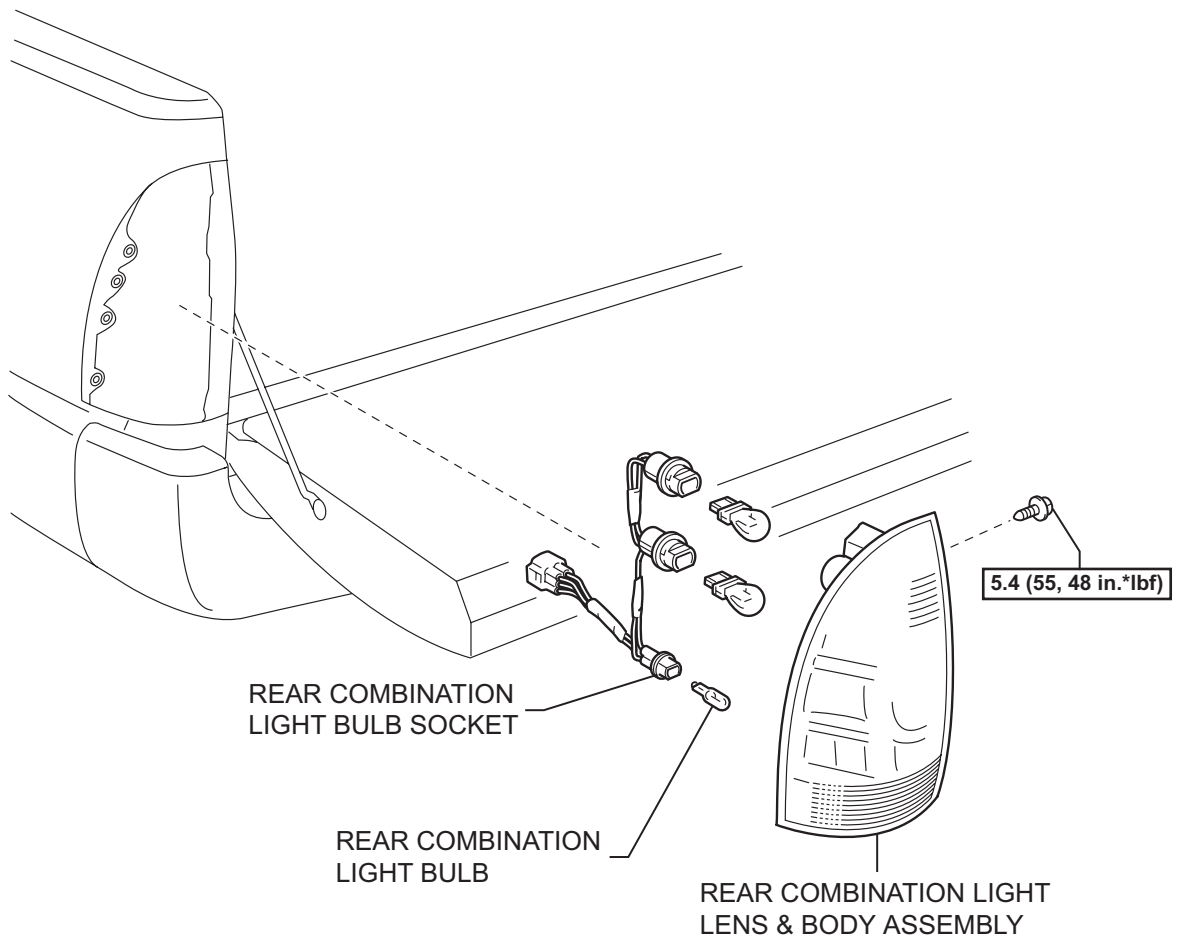


REAR COMBINATION LIGHT ASSEMBLY

COMPONENTS



N*m (kgf*cm, ft*lbf) : Specified torque

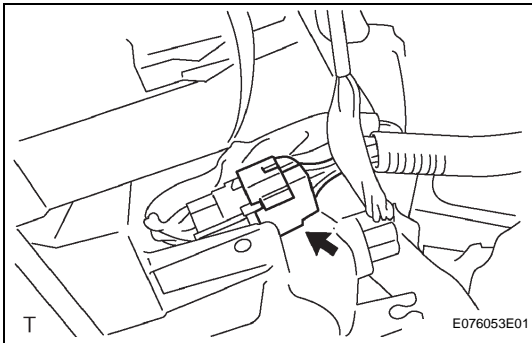
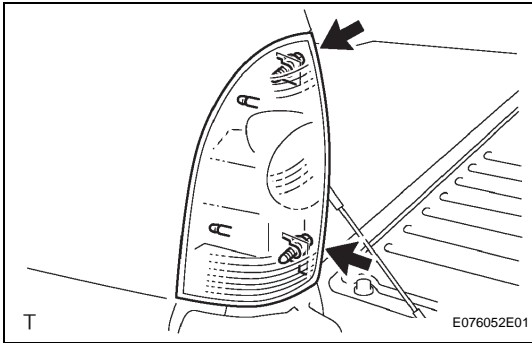


REMOVAL

1. DISCONNECT CABLE FROM NEGATIVE BATTERY TERMINAL

2. REMOVE REAR COMBINATION LIGHT ASSEMBLY

- (a) Remove the 2 bolts.
- (b) Slide the tail light (rear combination light) assembly LH toward the rear of the vehicle and release the 2 pins.



- (c) Disconnect the connector, then remove the tail light (rear combination light) assembly LH.
- (d) Remove the wire harness clamp.



- (e) To remove the 3 light bulb sockets and 3 bulbs, turn them in the direction indicated by the arrow in the illustration.
- (f) Remove the 3 light bulbs from the 3 light sockets.