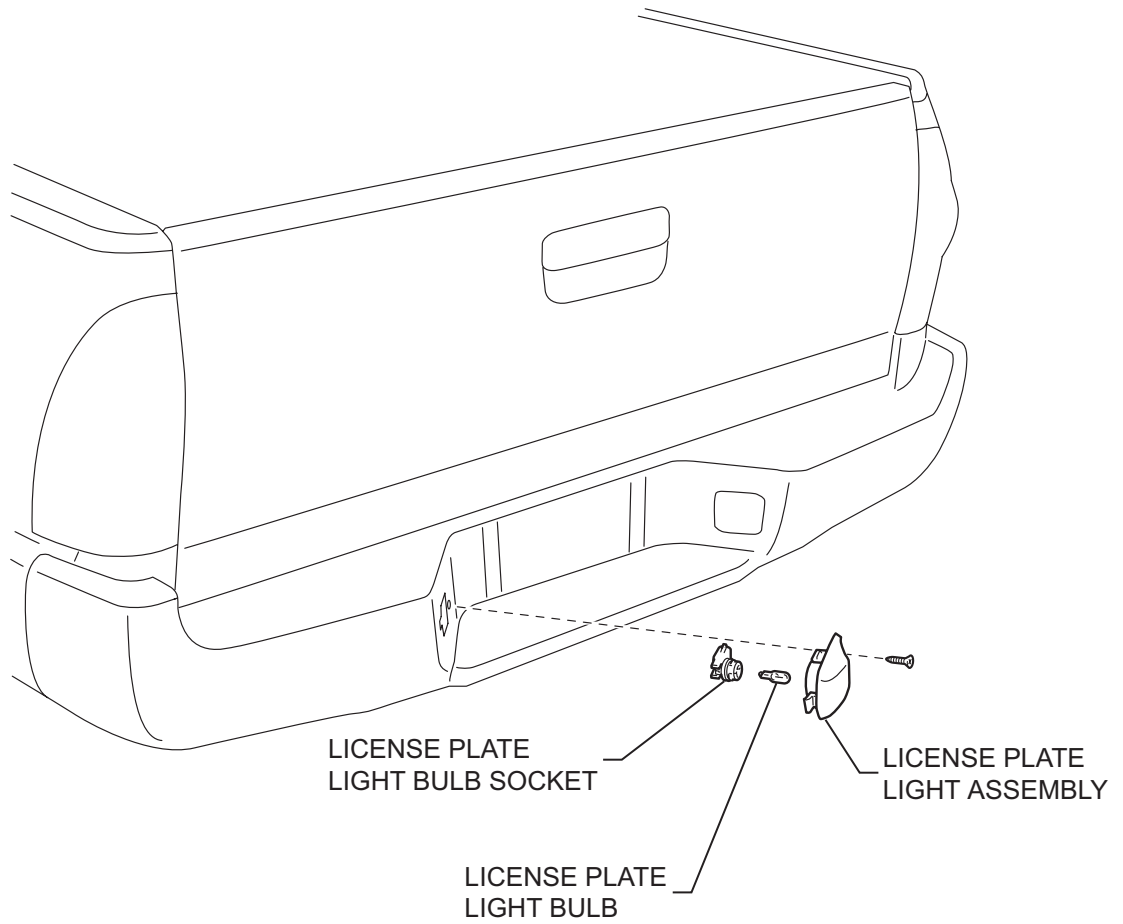


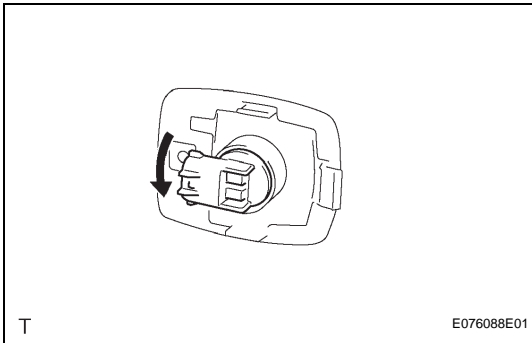
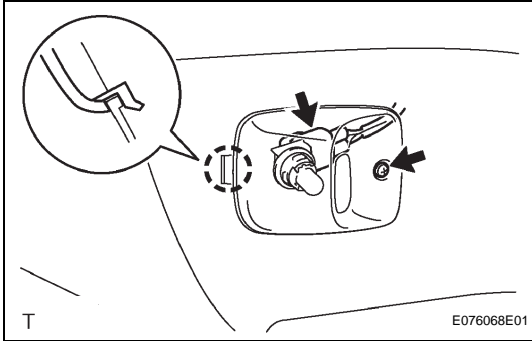
LICENSE PLATE LIGHT ASSEMBLY

COMPONENTS



REMOVAL

1. **DISCONNECT CABLE FROM NEGATIVE BATTERY TERMINAL**
2. **REMOVE LICENSE PLATE LIGHT ASSEMBLY**
 - (a) Disconnect the connector.
 - (b) Remove the screw and license plate light assembly.



- (c) To remove the license plate light bulb socket and bulb, turn them in the direction indicated by the arrow in the illustration.
- (d) Remove the license plate light bulb from the light socket.