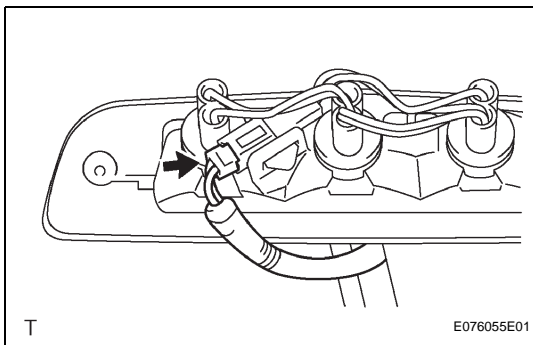
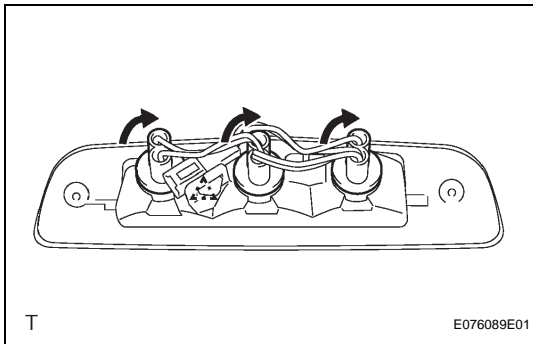


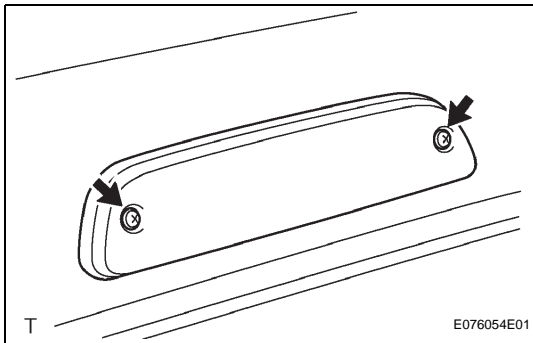
## INSTALLATION

### 1. INSTALL CENTER STOP LIGHT ASSEMBLY

- (a) Install the 3 center stop light bulbs into the 3 light sockets.
- (b) To install the 3 center stop light sockets and bulbs, turn them in the direction indicated by the arrow in the illustration.
- (c) Install the wire harness clamp.



- (d) Connect the connector.



- (e) Install the center stop light assembly with the 2 screws.

### 2. CONNECT CABLE TO NEGATIVE BATTERY TERMINAL

Torque: 3.9 N\*m (40 kgf\*cm, 35 in.\*lbf)