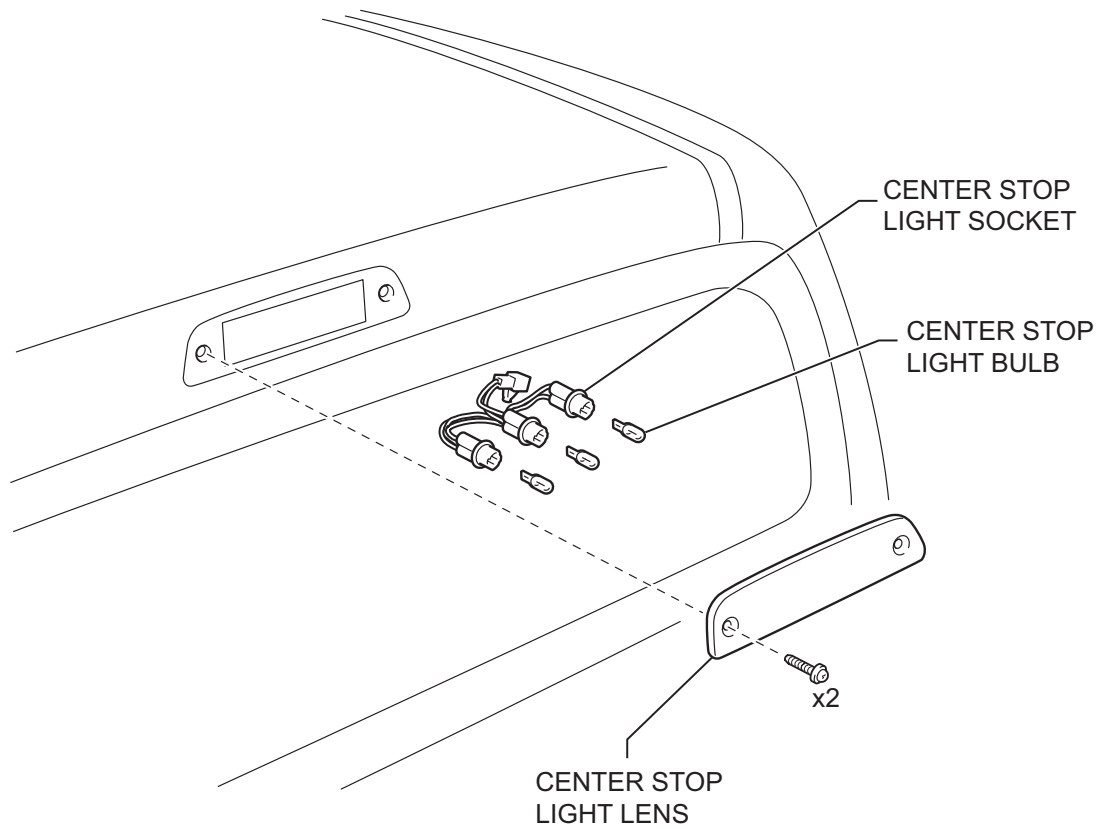


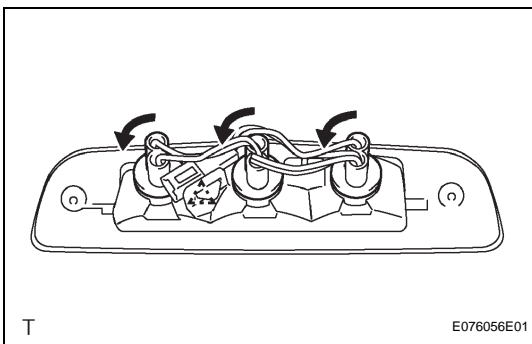
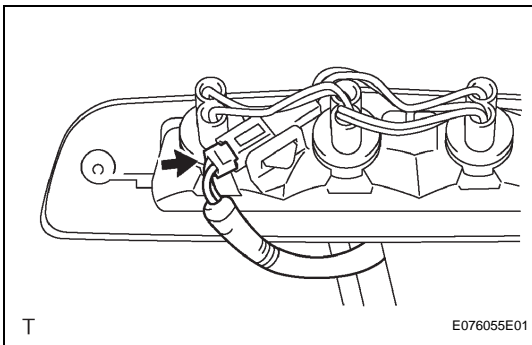
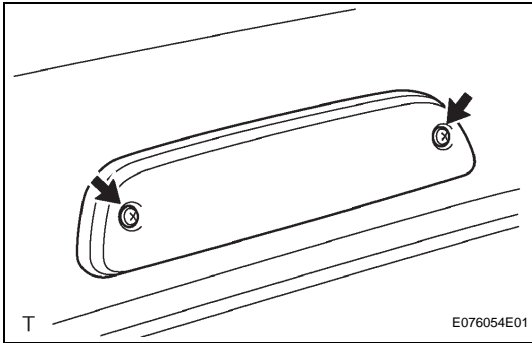
HIGH MOUNTED STOP LIGHT ASSEMBLY

COMPONENTS



REMOVAL

1. **DISCONNECT CABLE FROM NEGATIVE BATTERY TERMINAL**
2. **REMOVE CENTER STOP LIGHT ASSEMBLY**
 - (a) Remove the 2 screws, then remove the center stop light assembly.



- (b) Disconnect the connector.
- (c) Remove the wire harness clamp.
- (d) To remove the 3 center stop light sockets and bulbs, turn them in the direction indicated by the arrow in the illustration.
- (e) Remove the 3 center stop light bulbs from the 3 light sockets.