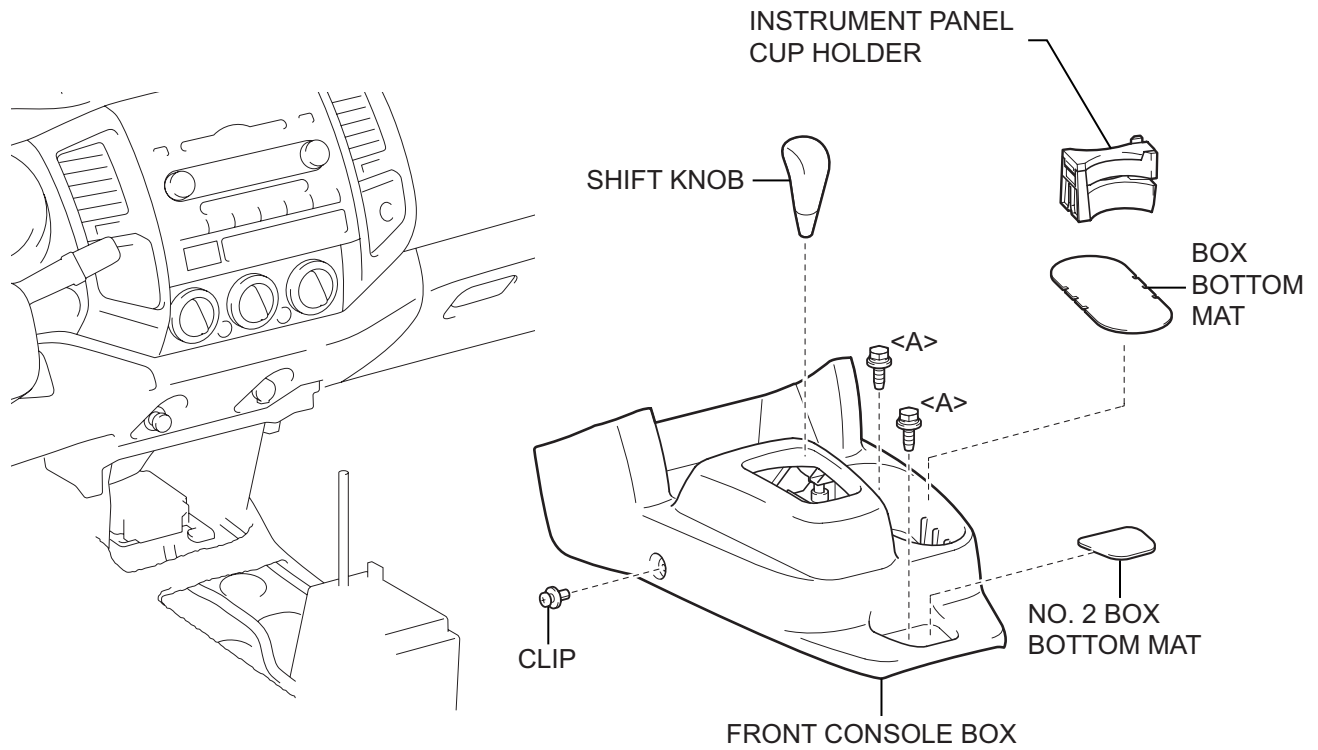


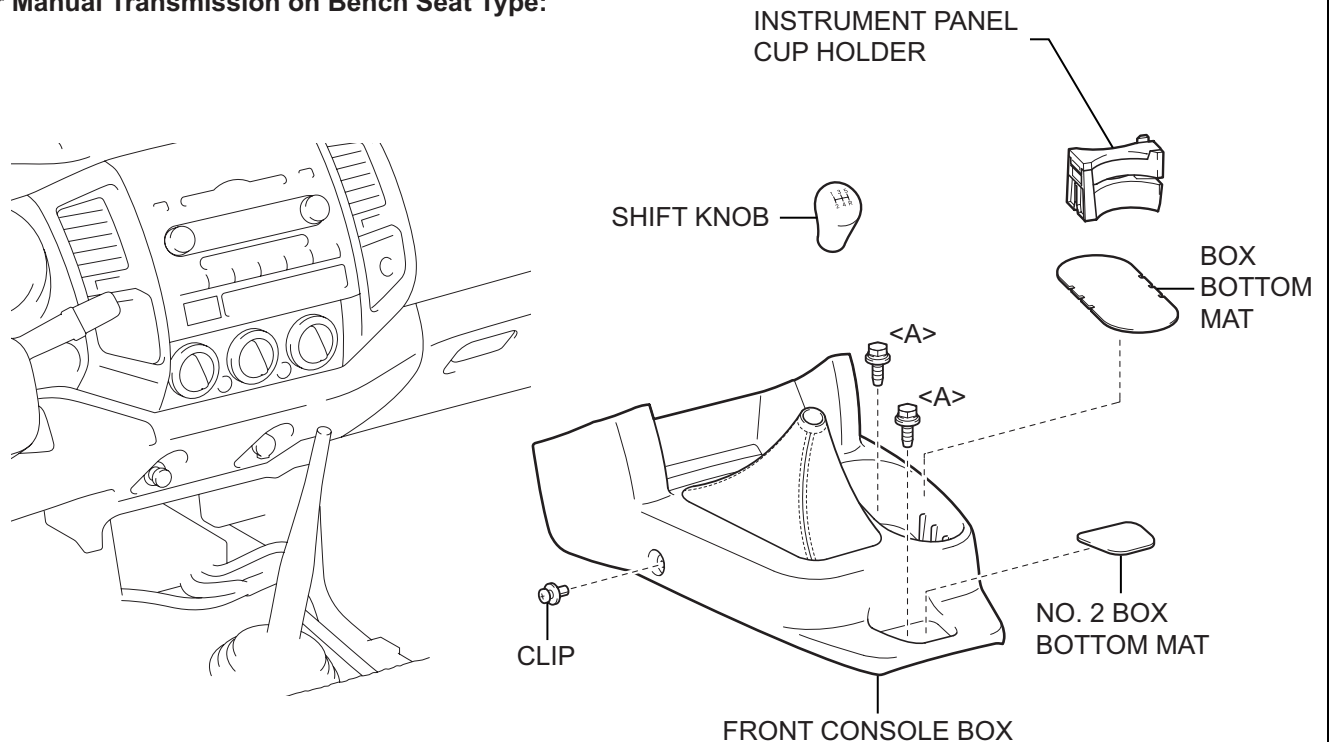
TOWING CONVERTER RELAY

COMPONENTS

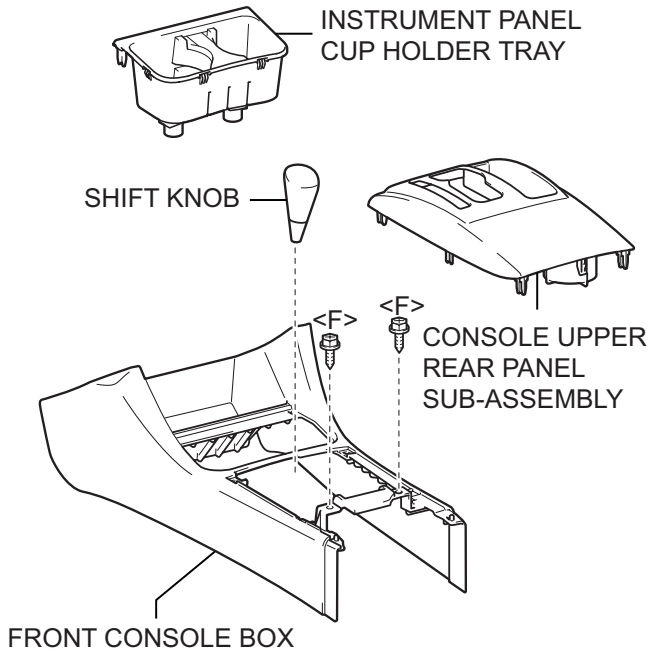
for Automatic Transmission on Bench Seat Type:



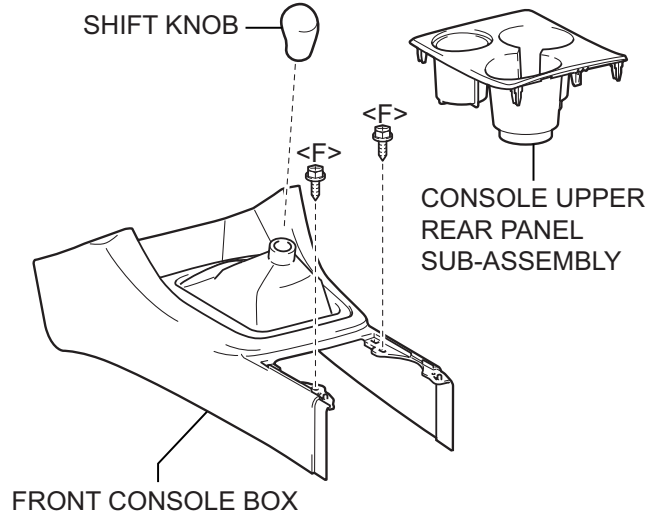
for Manual Transmission on Bench Seat Type:



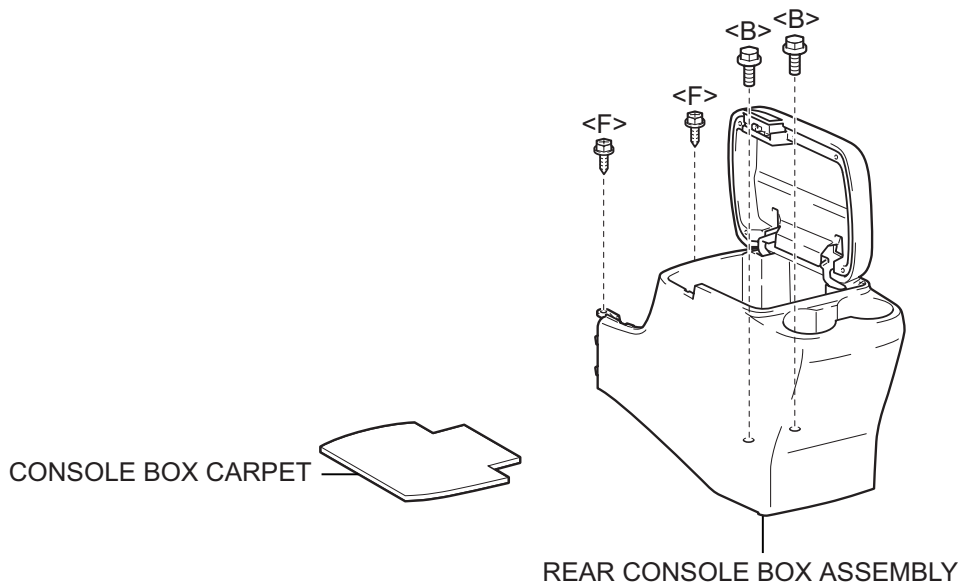
for Automatic Transmission
on Separate Seat Type :

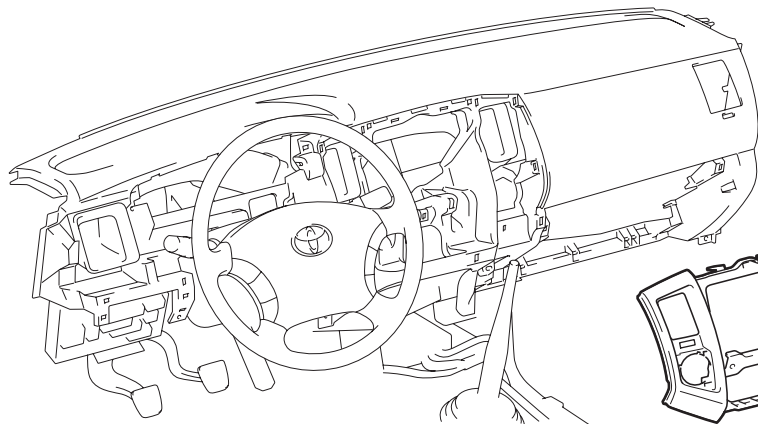


for Manual Transmission
on Separate Seat Type:

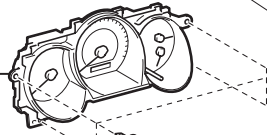


for Separate Seat Type:



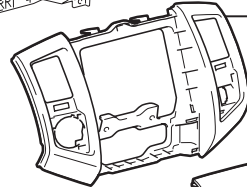


COMBINATION METER ASSEMBLY

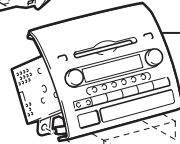


7.0 (71, 62 in.*lbf)

INSTRUMENT CLUSTER CENTER FINISH PANEL SUB-ASSEMBLY

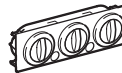


RADIO RECEIVER ASSEMBLY

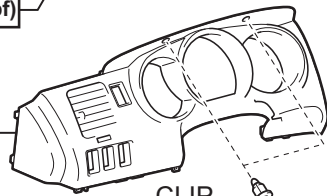


2.5 (25, 22 in.*lbf)

AIR CONDITIONING CONTROL ASSEMBLY

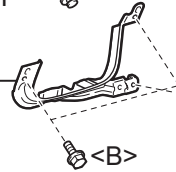


INSTRUMENT CLUSTER FINISH PANEL SUB-ASSEMBLY



CLIP

LOWER INSTRUMENT PANEL LH



for Pedal Type Parking Brake:



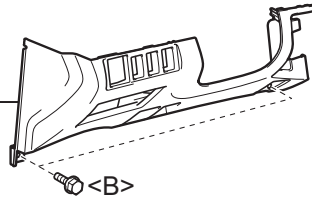
INSTRUMENT PANEL UNDER TRAY

for Lever Type Parking Brake:



INSTRUMENT PANEL HOLE COVER

LOWER NO. 1 INSTRUMENT PANEL FINISH PANEL



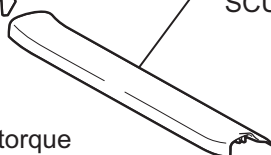
COWL SIDE TRIM BOARD LH



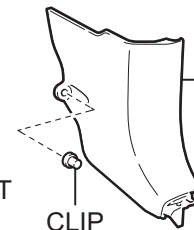
CLIP

FRONT FLOOR FOOTREST

FRONT DOOR SCUFF PLATE LH



COWL SIDE TRIM BOARD RH



CLIP

FRONT DOOR SCUFF PLATE RH



N*m (kgf*cm, ft*lbf) : Specified torque



