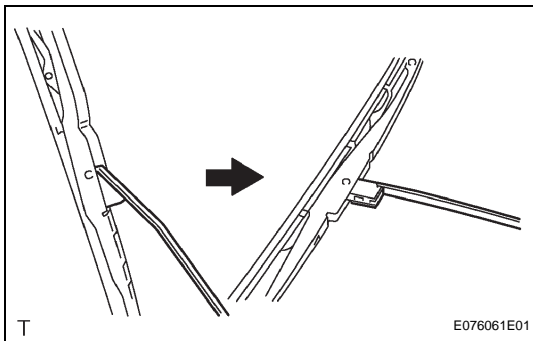
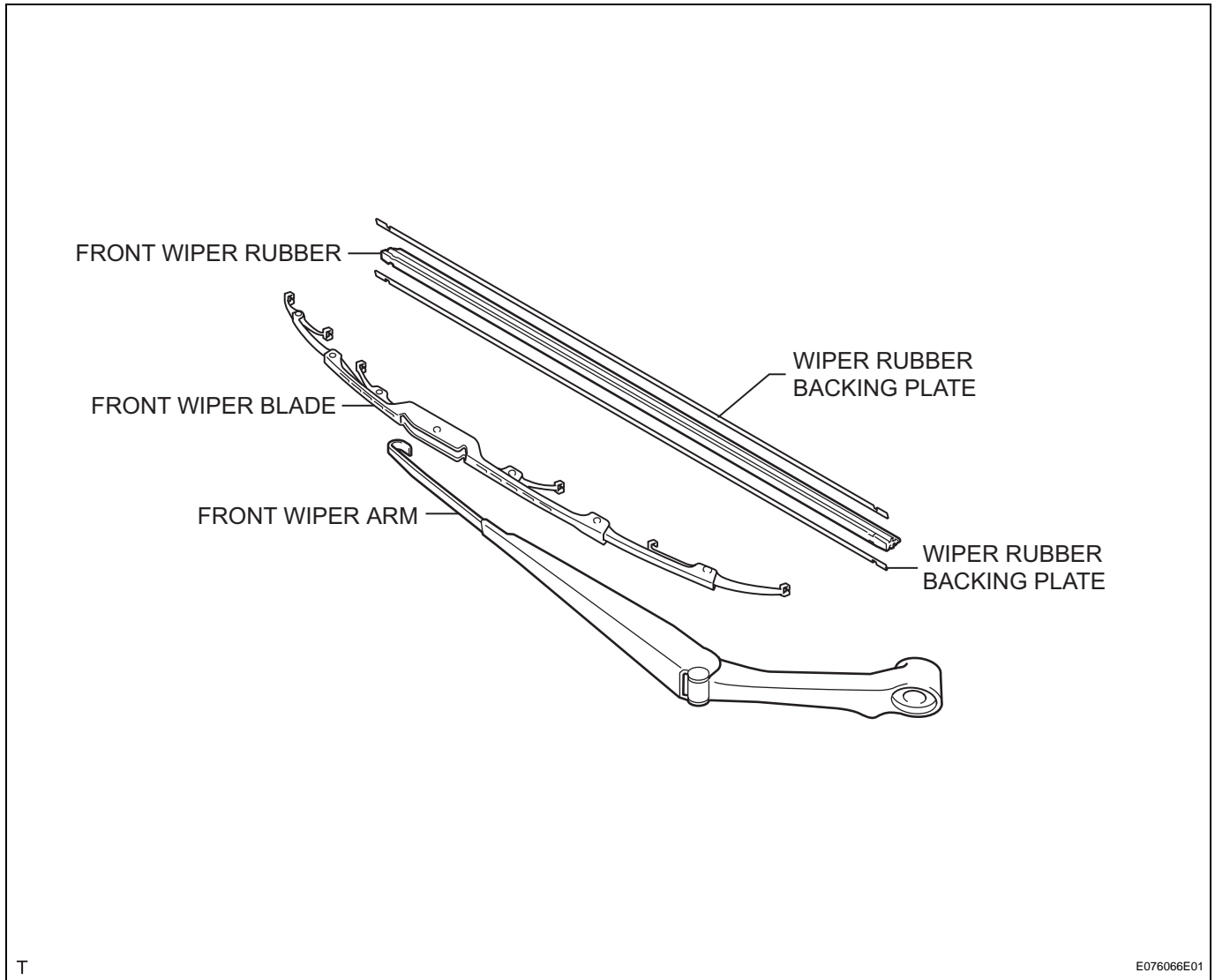


# FRONT WIPER RUBBER

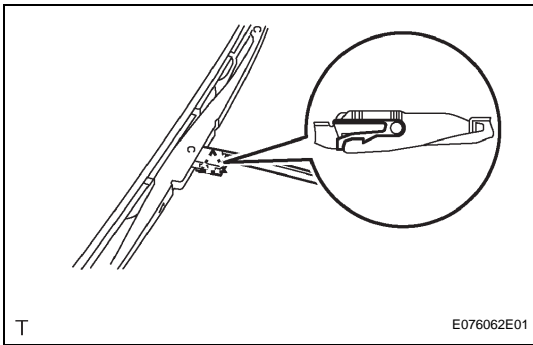
## COMPONENTS



## REMOVAL

### 1. REMOVE FRONT WIPER BLADE

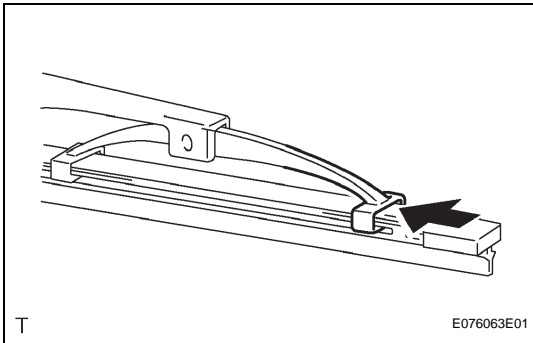
- (a) Raise the front wiper blade to the position as shown in the illustration.



- (b) Disengage the claw and remove the front wiper blade LH from the front wiper arm LH.

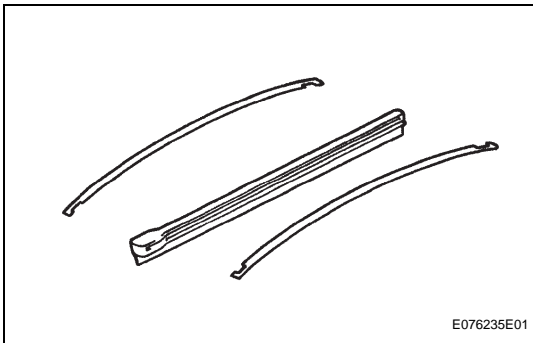
**NOTICE:**

**Do not bend the front wiper arm with the front wiper blade LH removed, as the arm tip could damage the windshield surface.**

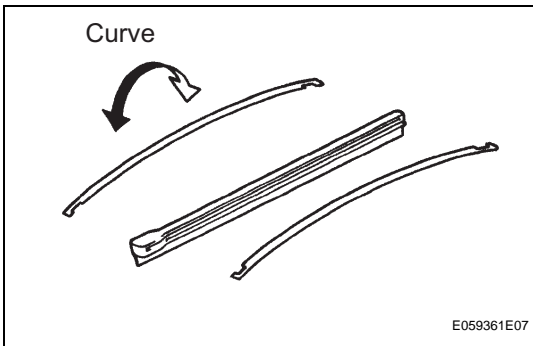


**2. REMOVE FRONT WIPER RUBBER**

- (a) Remove the front wiper rubber LH from the front wiper blade.



- (b) Remove the 2 wiper rubber backing plates from the wiper rubber LH.



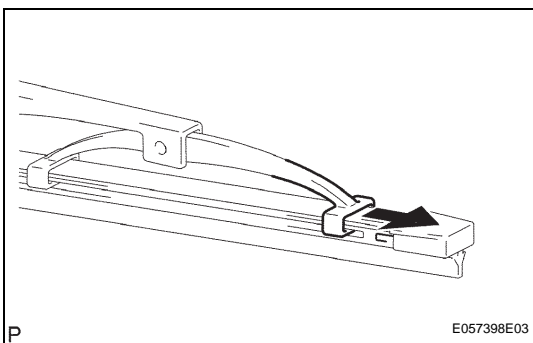
**INSTALLATION**

**1. REMOVE FRONT WIPER RUBBER**

- (a) Install the 2 wiper rubber backing plates onto the wiper rubber LH.

**NOTICE:**

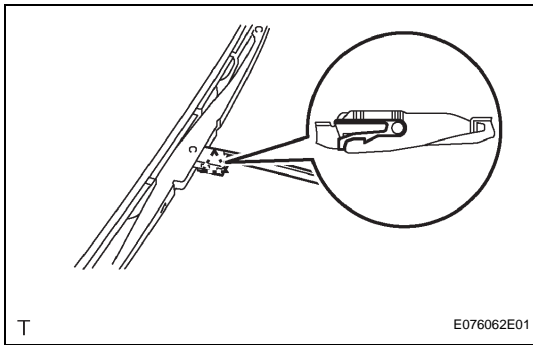
**Be sure to install the wiper rubber backing plates in the correct direction.**



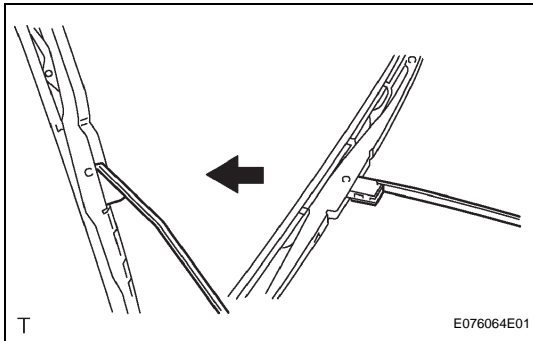
- (b) Install the wiper rubber LH so that the head part (Larger side) of the wiper rubber faces the arm axle side.

**NOTICE:**

**Push the front wiper blade into the grooves of the wiper rubber to engage them completely.**

**2. REMOVE FRONT WIPER BLADE**

- (a) Engage the claw and install the front wiper blade LH onto the front wiper arm LH.



- (b) Hold down the front wiper blade LH as shown in the illustration.