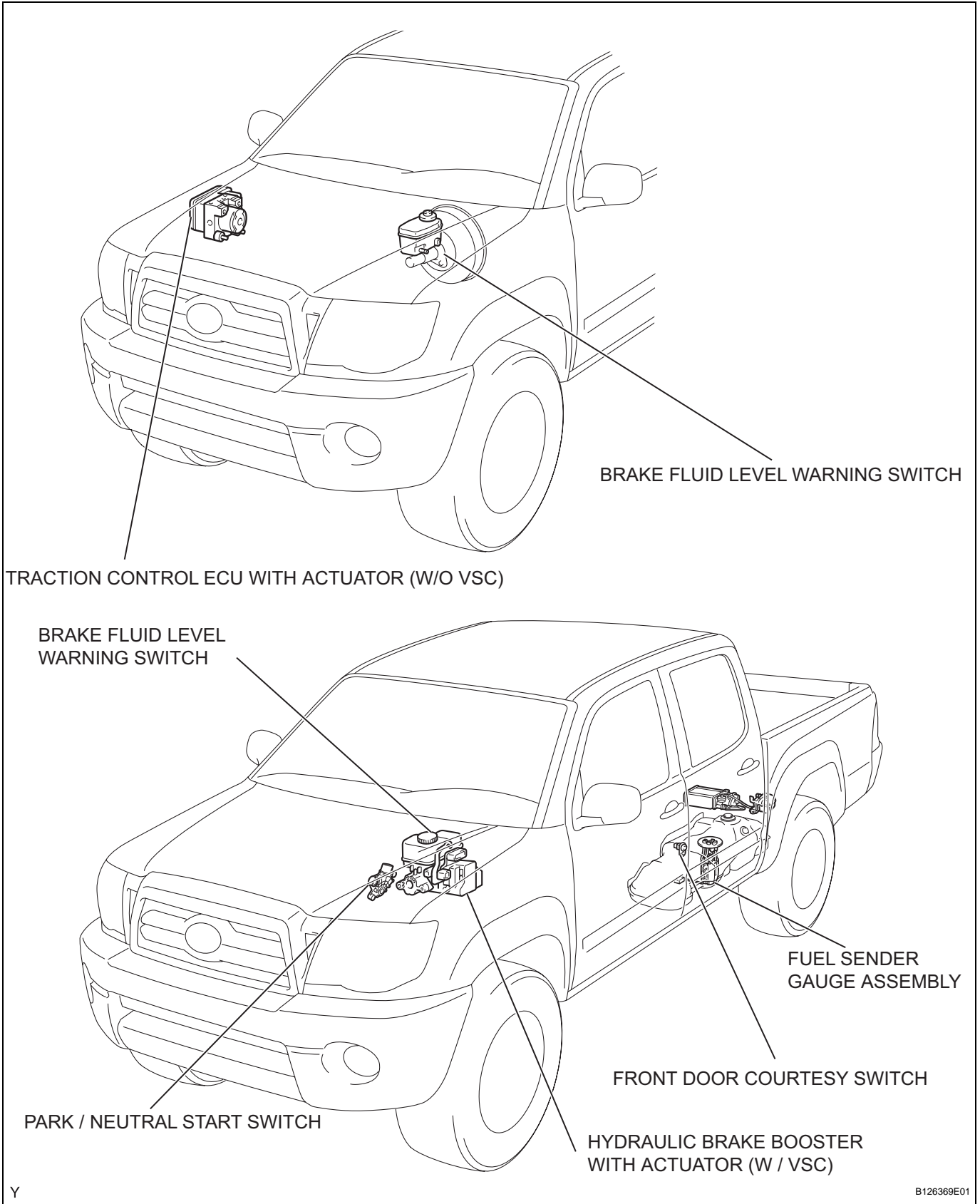
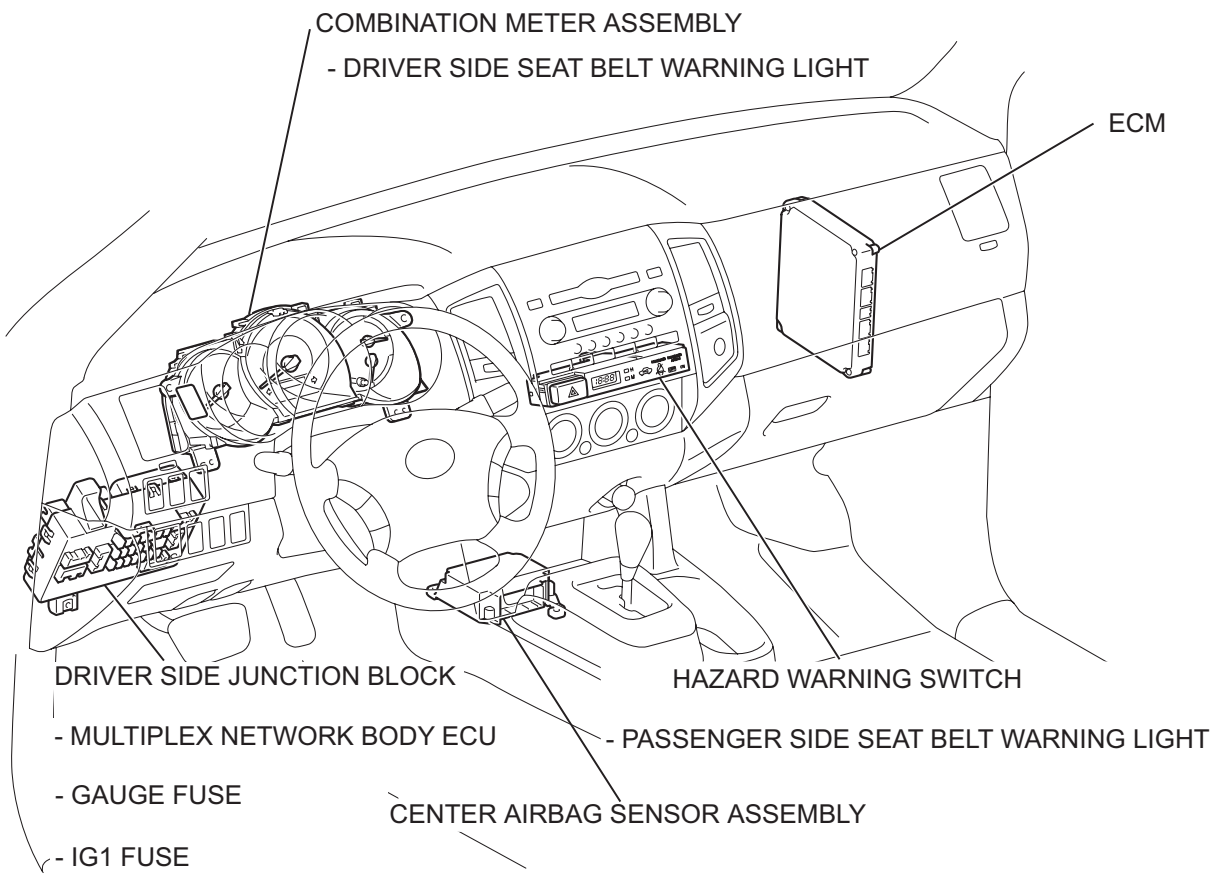
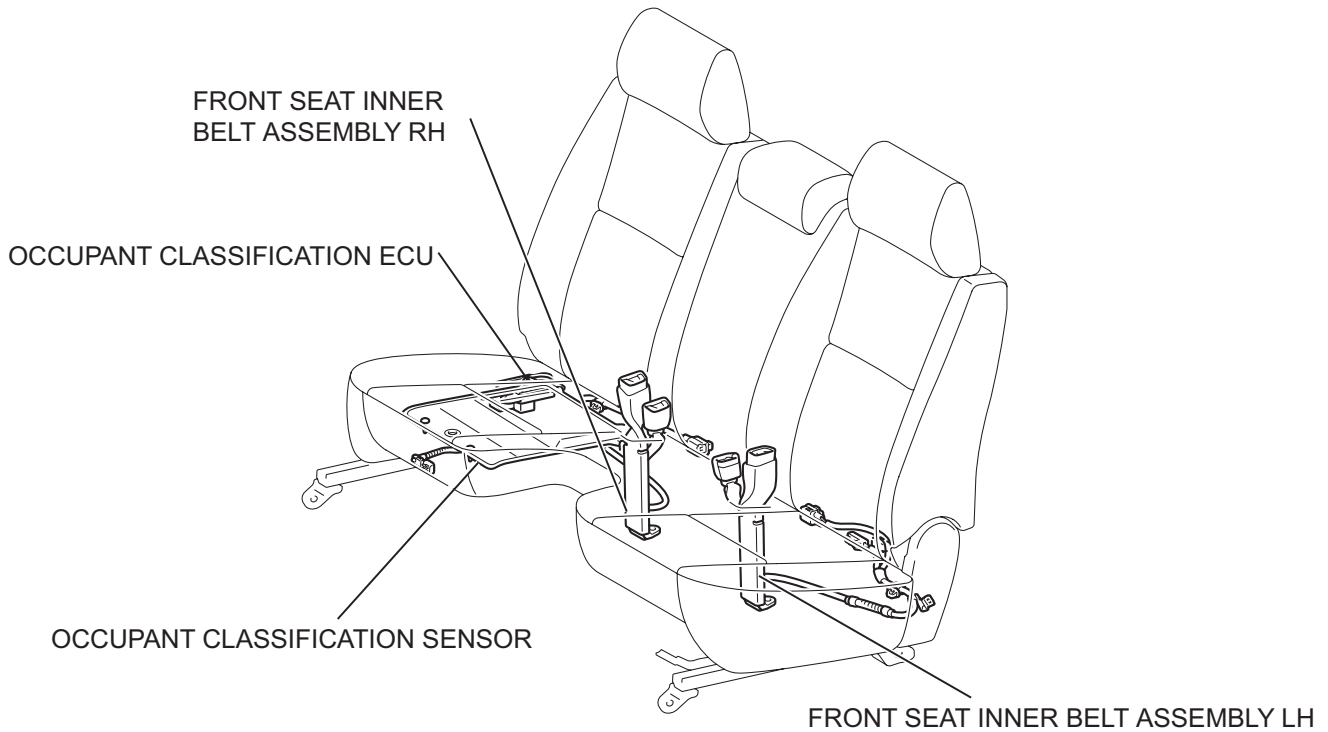


# METER / GAUGE SYSTEM

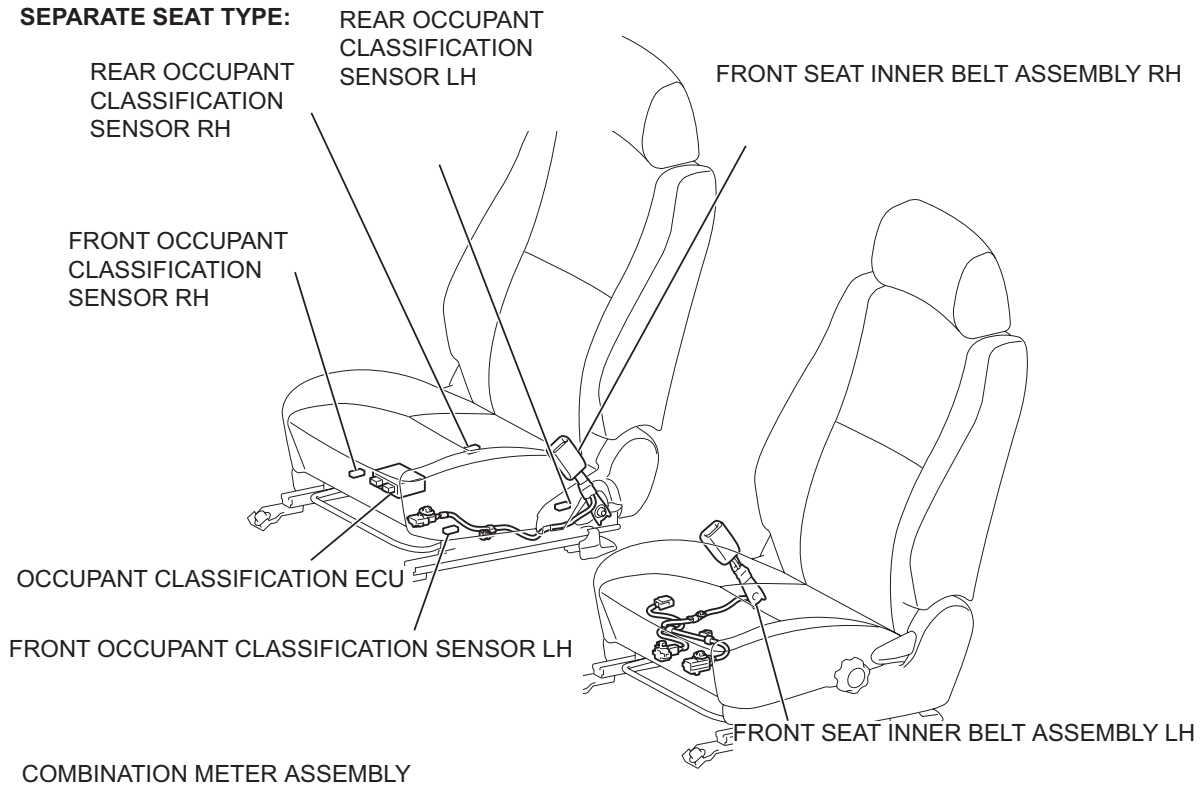
## PARTS LOCATION



**BENCH SEAT TYPE:**

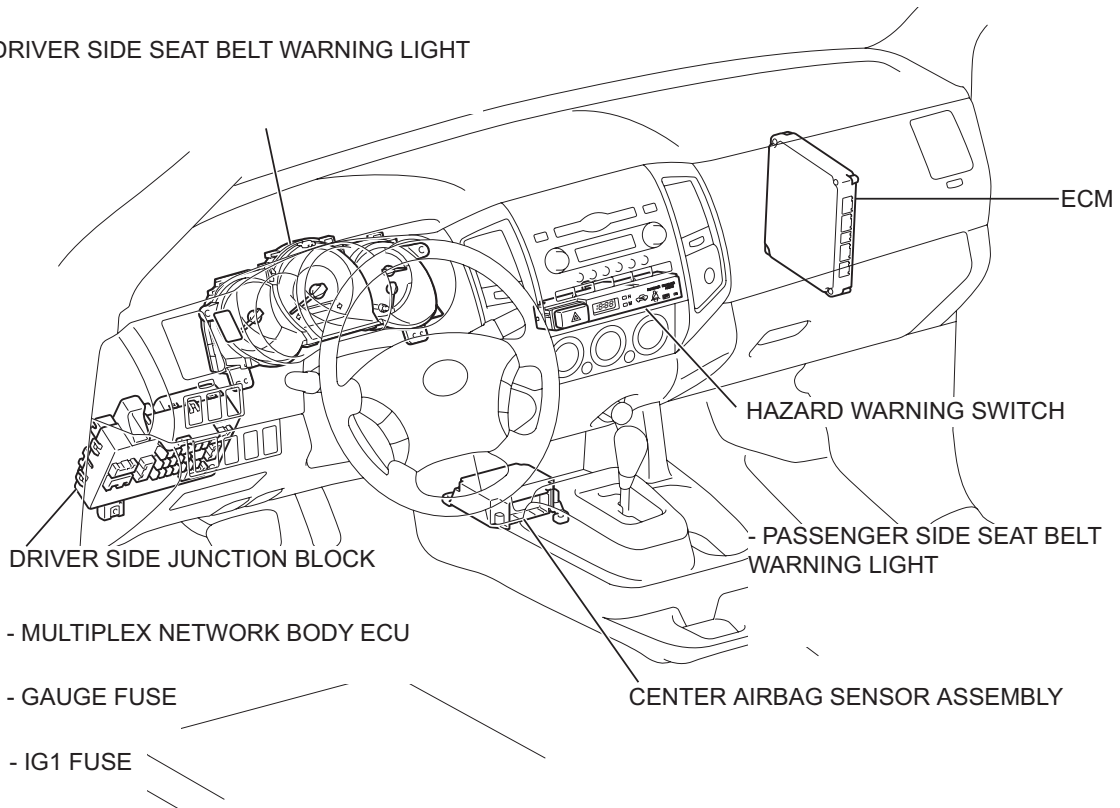


**SEPARATE SEAT TYPE:**



**COMBINATION METER ASSEMBLY**

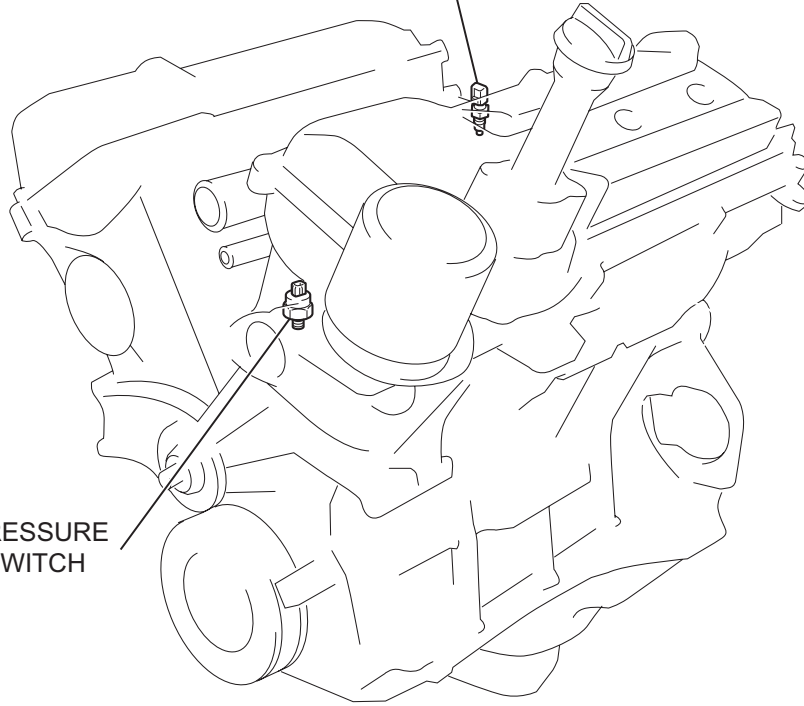
- DRIVER SIDE SEAT BELT WARNING LIGHT



1GR-FE:

ENGINE COOLANT TEMPERATURE SENSOR

LOW OIL PRESSURE  
WARNING SWITCH



2TR-FE:

ENGINE COOLANT TEMPERATURE SENSOR

LOW OIL PRESSURE  
WARNING SWITCH

