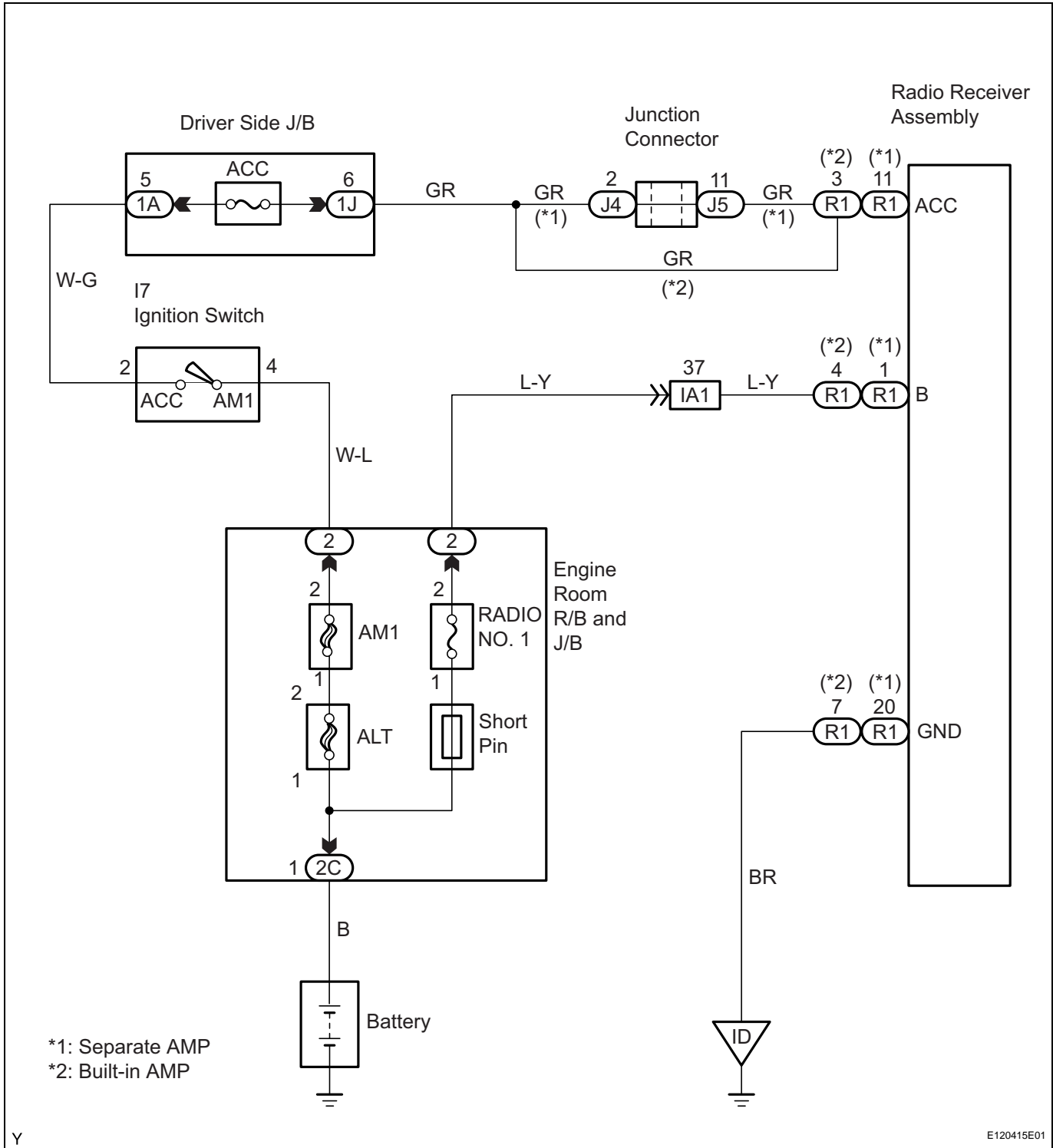


Radio Receiver Power Source Circuit

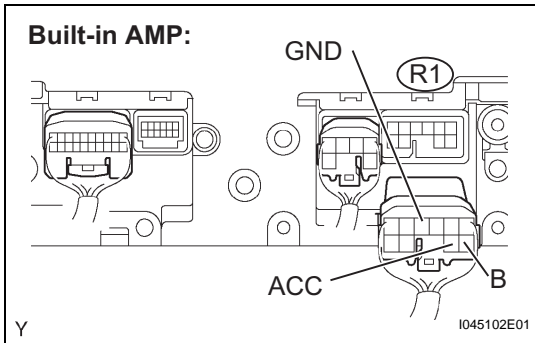
DESCRIPTION

This circuit provides power to the radio receiver assembly.

AV WIRING DIAGRAM



1 INSPECT RADIO RECEIVER ASSEMBLY



(a) Check the resistance.

Standard:
Built-in AMP

Tester Connection	Condition	Specified Condition
GND (R1-7) - Body ground	Constant	Below 1Ω

Standard:
Separate AMP

Tester Connection	Condition	Specified Condition
GND (R1-20) - Body ground	Constant	Below 1Ω

(b) Turn the ignition switch to the ACC position.

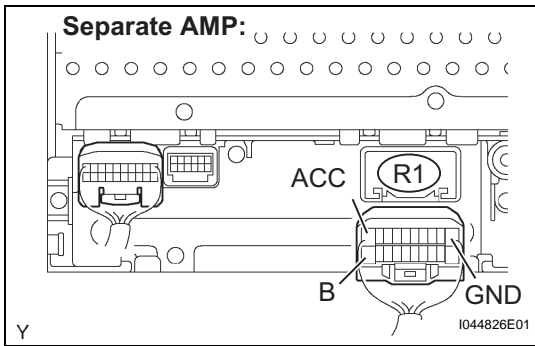
(c) Measure the voltage.

Standard:
Built-in AMP

Tester Connection	Condition	Specified Condition
B (R1-4) - GND (R1-7)	Constant	10 to 14 V
ACC (R1-3) - GND (R1-7)	Ignition switch ACC or ON	10 to 14 V

Standard:
Separate AMP

Tester Connection	Condition	Specified Condition
B (R1-1) - GND (R1-20)	Constant	Below 1Ω
ACC (R1-11) - GND (R1-20)	Ignition switch ACC or ON	10 to 14 V



NG **REPAIR OR REPLACE HARNESS OR CONNECTOR**

OK

PROCEED TO NEXT CIRCUIT INSPECTION SHOWN IN PROBLEM SYMPTOMS TABLE