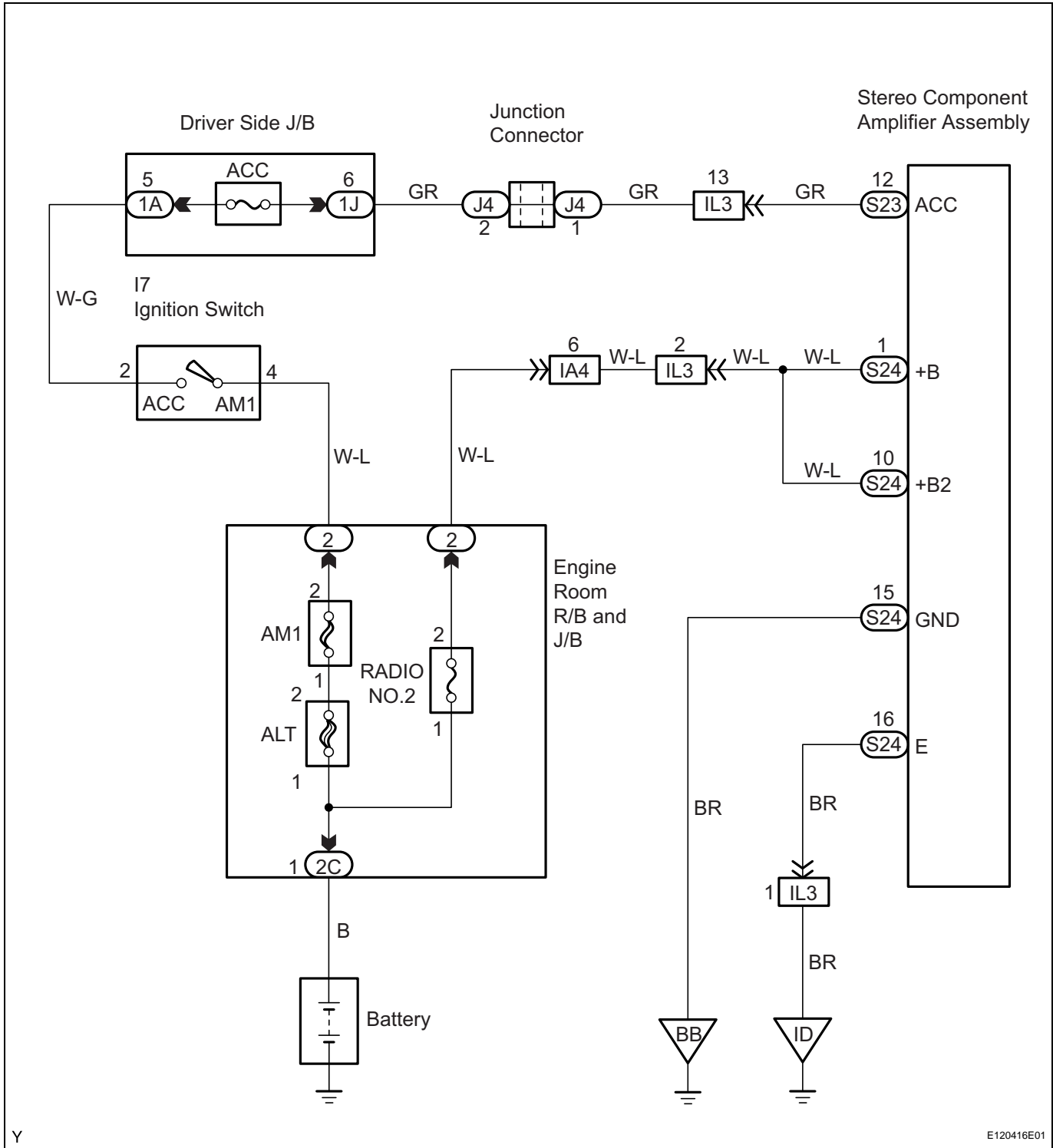


Stereo Component Amplifier Power Source Circuit

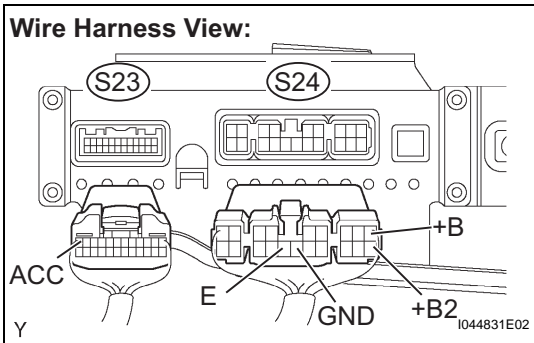
DESCRIPTION

This circuit provides power to the stereo component amplifier assembly.

AV WIRING DIAGRAM



1 INSPECT STEREO COMPONENT AMPLIFIER ASSEMBLY



- (a) Disconnect the S23 and S24 stereo component amplifier assembly connectors.
- (b) Check the resistance.

Standard

Tester Connection	Condition	Specified Condition
E (S24-16) - Body ground	Always	Below 1 Ω
GND (S24-15) - Body ground	Always	Below 1 Ω

- (c) Turn the ignition switch to the ACC position.
- (d) Measure the voltage.

Standard

Tester Connection	Condition	Specified Condition
B+ (S24-1) - GND (S24-15)	Always	10 to 14 V
+B2 (S24-10) - GND (S24-15)	Always	10 to 14 V
ACC (S23-12) - GND (S24-15)	Ignition switch ACC	10 to 14 V

NG

REPAIR OR REPLACE HARNESS OR CONNECTOR (STEREO COMPONENT AMPLIFIER ASSEMBLY - BATTERY OR BODY GROUND)

OK

PROCEED TO NEXT CIRCUIT INSPECTION SHOWN IN PROBLEM SYMPTOMS TABLE