

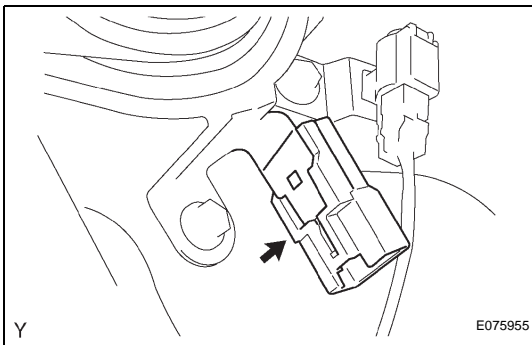
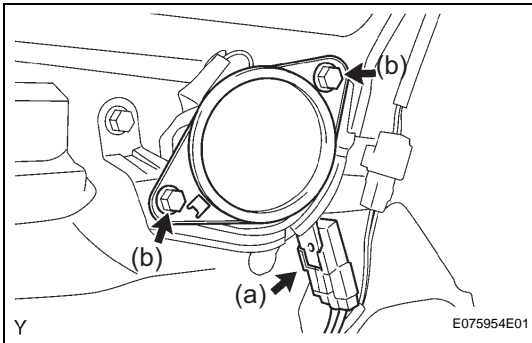
REMOVAL

HINT:

- Use the same procedures for the RH and LH sides.
- The procedures listed below are for the LH side.

1. **DISCONNECT CABLE FROM NEGATIVE BATTERY TERMINAL**
2. **REMOVE FRONT DOOR WINDOW REGULATOR HANDLE ASSEMBLY (w/o Power Door Lock) (See page ED-34)**
3. **REMOVE POWER WINDOW REGULATOR MASTER SWITCH ASSEMBLY (w/ Power Door Lock) (See page ED-13)**
4. **REMOVE FRONT DOOR LOWER FRAME BRACKET GARNISH LH (See page ED-34)**
5. **REMOVE FRONT DOOR TRIM PANEL ASSEMBLY LH (See page ED-35)**
6. **REMOVE FRONT NO. 2 SPEAKER ASSEMBLY**
 - (a) Disconnect the connector.
 - (b) Remove the 2 bolts.

AV



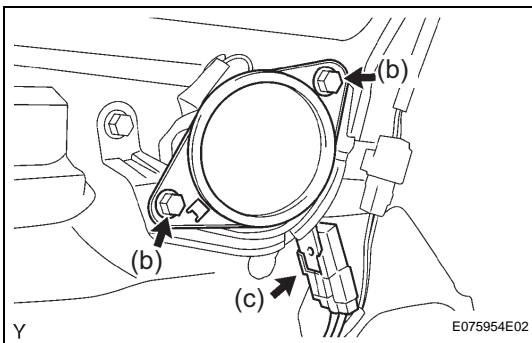
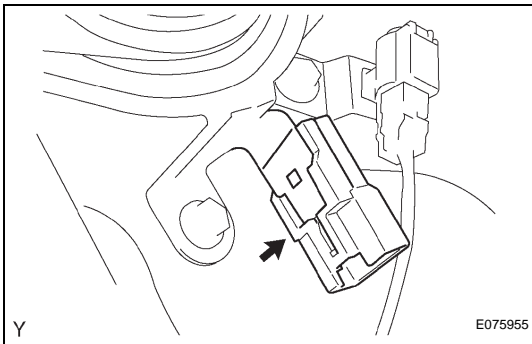
- (c) Disengage the claw and remove the front No. 2 speaker assembly.

INSTALLATION

HINT:

- Use the same procedures for the RH and LH sides.
- The procedures listed below are for the LH side.

1. **INSTALL FRONT NO. 2 SPEAKER ASSEMBLY**
 - (a) Engage the claw.



- (b) Install the front No. 2 speaker assembly with the 2 bolts.

Torque: 8.4 N*m (85 kgf*cm, 74 in.*lbf)

- (c) Connect the connector.

2. **INSTALL FRONT DOOR TRIM PANEL ASSEMBLY LH** (See page [ED-48](#))
3. **INSTALL FRONT DOOR LOWER FRAME BRACKET GARNISH LH** (See page [ED-49](#))
4. **INSTALL POWER WINDOW REGULATOR MASTER SWITCH ASSEMBLY (w/ Power Door Lock)** (See page [ED-30](#))
5. **INSTALL FRONT DOOR WINDOW REGULATOR HANDLE ASSEMBLY (w/o Power Door Lock)** (See page [ED-49](#))
6. **CONNECT CABLE TO NEGATIVE BATTERY TERMINAL**
Torque: 3.9 N*m (40 kgf*cm, 35 in.*lbf)