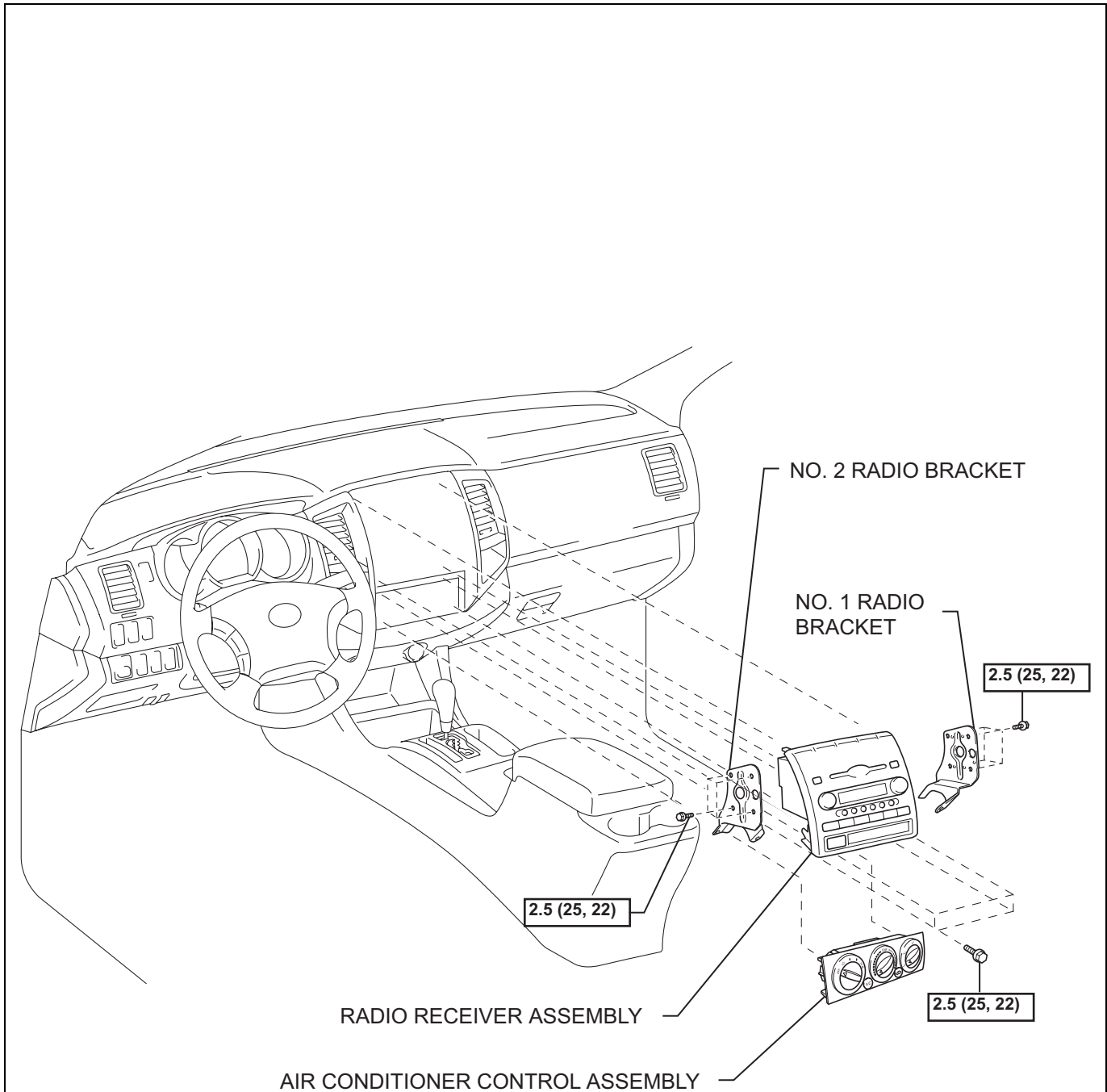


# RADIO RECEIVER COMPONENTS

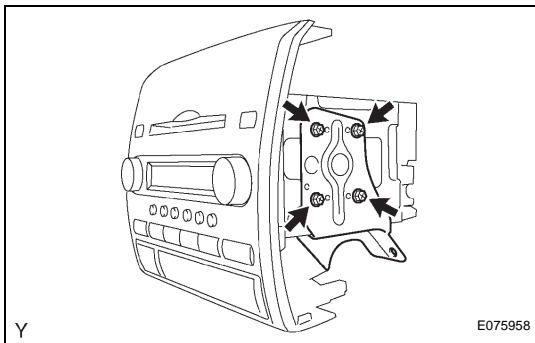
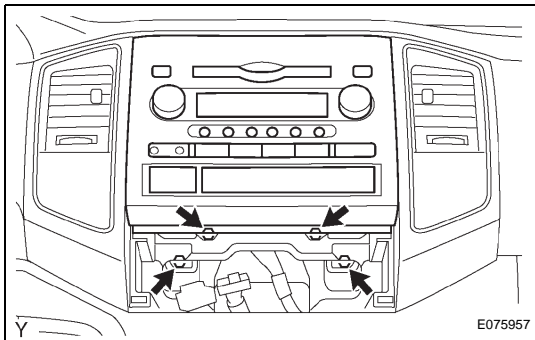
AV



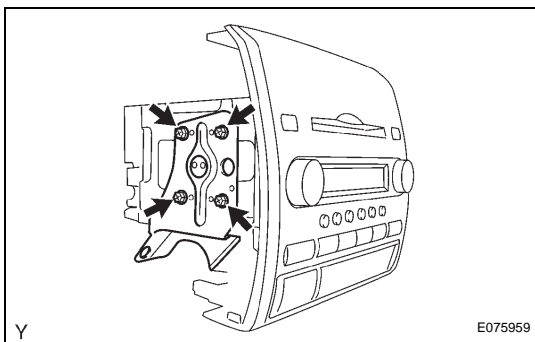
$N^*m$  (kgf\*cm, ft\*lbf) : Specified torque

## REMOVAL

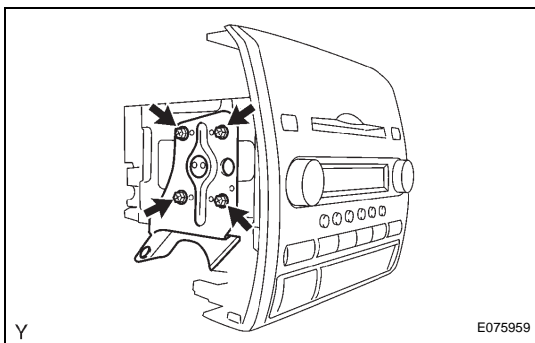
1. **DISCONNECT CABLE FROM NEGATIVE BATTERY TERMINAL**
2. **REMOVE AIR CONDITIONING CONTROL ASSEMBLY**  
(See page [AC-90](#))
3. **REMOVE RADIO RECEIVER ASSEMBLY**
  - (a) Remove the 4 bolts.
  - (b) Disconnect the connector and remove the radio receiver assembly with bracket.



4. **REMOVE NO. 1 RADIO BRACKET**
  - (a) Remove the 4 bolts and the No.1 radio bracket.

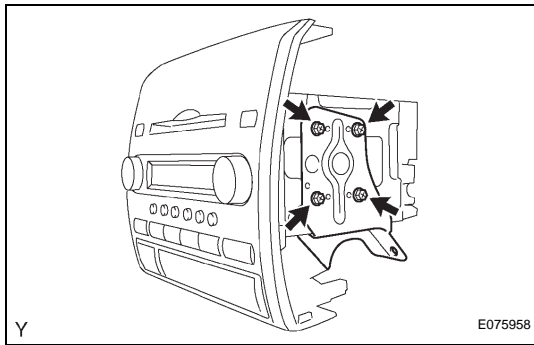


5. **REMOVE NO. 2 RADIO BRACKET**
  - (a) Remove the 4 bolts and the No. 2 radio bracket.

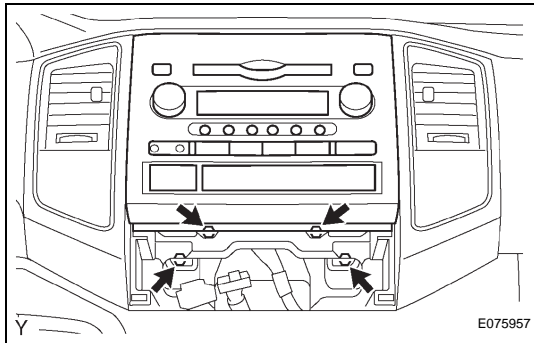


## INSTALLATION

1. **INSTALL NO. 2 RADIO BRACKET**
  - (a) Install the No. 2 radio bracket with the 4 bolts.  
Torque: 2.5 N\*m (25 kgf\*cm, 22 in.\*lbf)

**2. INSTALL NO. 1 RADIO BRACKET**

- (a) Install the No. 1 radio bracket with the 4 bolts.  
Torque: 2.5 N\*m (25 kgf\*cm, 22 in.\*lbf)

**3. INSTALL RADIO RECEIVER ASSEMBLY**

- (a) Connect the connector.  
(b) Install the radio receiver assembly with bracket with the 4 bolts.  
Torque: 2.5 N\*m (25 kgf\*cm, 22 in.\*lbf)

**4. INSTALL AIR CONDITIONING CONTROL ASSEMBLY**  
(See page [AC-96](#))**5. CONNECT CABLE TO NEGATIVE BATTERY TERMINAL**  
Torque: 3.9 N\*m (40 kgf\*cm, 35 in.\*lbf)