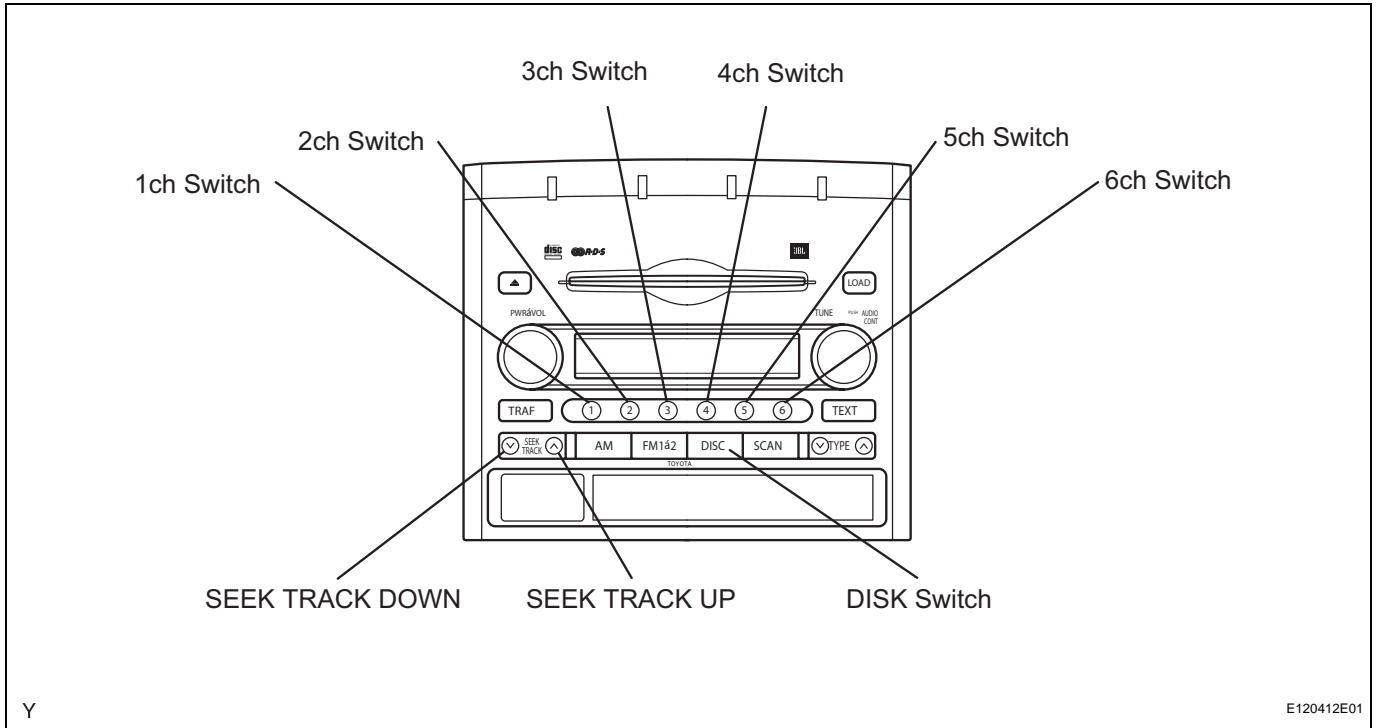


# DTC CHECK / CLEAR

## 1. DIAGNOSTIC CHECK



AV

- (a) Start diagnostic mode (All elements come on during SW check mode).
- (1) Turn off the audio system and turn the ignition switch to the ACC position. While pressing the preset switches 1ch and 6ch at the same time, press the DISC switch 3 times.
  - (2) Reference:
    - When the system enters diagnostic mode, a beep sound is emitted 3 times and all the elements come on during SW check mode.
    - It takes approximately 40 seconds to complete the check.
    - Turn on all the elements in the LCD.
    - When pressing the switch, confirm that a beep sound is emitted.
- (b) Service check screen.
- (1) Press the SEEK TRACK UP switch to enter the service check screen.
  - (2) In service check mode, the system check and the diagnostic memory check are performed, and the check results are displayed by component codes in ascending order (physical address).

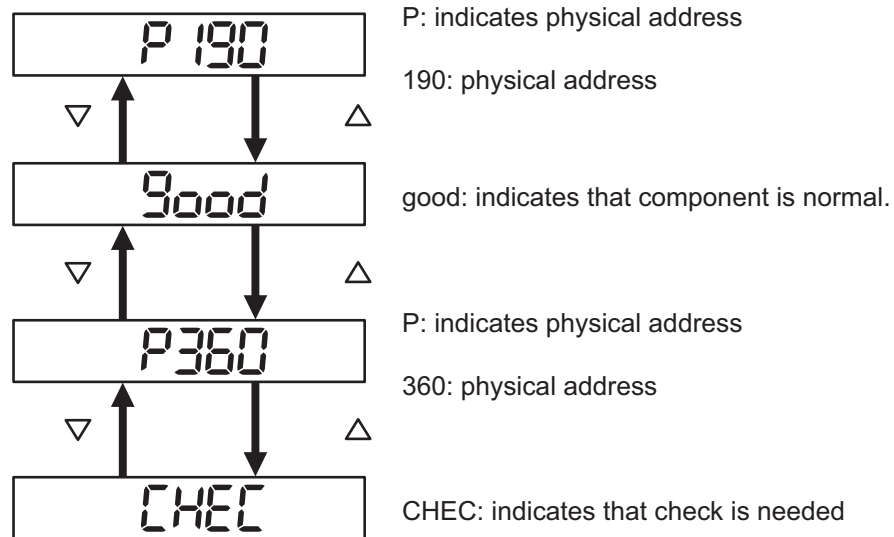
Terms	Description
Component code (Physical address)	Three-digit code (in hexadecimal) given to each device comprising AVC-LAN. Corresponding to its function, individual symbol provided.
Logical address	Two-digit code (in hexadecimal) given to each function and device unit in each device comprising AVC-LAN.

**Code No. (physical address) List**

Code No. physical address	Equipment Name
190	Radio receiver assembly (Audio head unit)
440	Stereo component amplifier assembly

AV

- (c) Finish diagnostic mode.
  - (1) Press the DISC switch for 2 seconds or more, or turn the ignition switch off.
- (d) Service check mode result display (for checking the current and the past system conditions).
  - (1) Press the SEEK TRACK UP/DOWN switch to see the check result of each component.



△ : SEEK TRACK UP  
 ▽ : SEEK TRACK DOWN

The illustration shows the case that the system has 2 components with the codes 190 and 360, and that one of them (code 360) requires a check. The check result is displayed by a component code in ascending order. The component device code is displayed first, and then the check result follows.

P

E120413E01

The illustration shows the case that the system has 2 components with the codes 190 and 360, and that one of them (code 360) requires a check. The check result is displayed by a component code in ascending order. The component device code is displayed first, and then the check result follows.

## (2) Check the result display.

Display	Original Language	Description	Action to be Taken
good	Good (normal)	No DTCs are detected in either system check mode nor diagnostic memory mode.	-
NCON	No connection	The system recognized the component when it was registered, but the component gives no response to the diagnostic mode ON request.	Check the power source circuit and the communication circuit of the component indicated by the component code (physical address).
ECHN	Exchange	One or more DTCs for Exchange are detected in either system check mode or diagnostic memory mode.	Go to detailed information mode to check the trouble area, referring to the DTC list.
CHEC	Check	When no DTCs are detected for Exchange, one or more DTCs for Check are detected in either system check mode or diagnostic memory mode.	Go to detailed information mode to check the trouble area, referring to the DTC list.
OLD	Old version	Old DTC application is identified and DTC is detected in either system check mode or diagnostic memory mode.	-
NRES	No response	The device gives no response to any one of system check mode ON request, system check result request or diagnostic memory request.	Check the power source circuit and the communication circuit of the component indicated by the component code (physical address).

(3) To perform the service check again, press the preset switch 1 ch.

(e) Detailed information mode (when displaying the DTC for a troubled component)

(1) With CHEC or ECHN being displayed, press the preset switch 2ch to go to detailed information mode.

(2) Press the SEEK TRACK UP/DOWN switch to display the system check result (SYS) and diagnostic memory response (CODE).

AV

Service Check Mode

P 190



CHEC

Preset Switch 3ch

Preset Switch 2ch

Detailed Information Mode

\*1

P 190



545

P: indicates physical address

190: physical address

SYS: system check result

1: first code

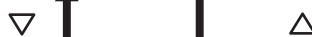
62: logical address

47: DTC

Detailed Information of first code is displayed



1L-62

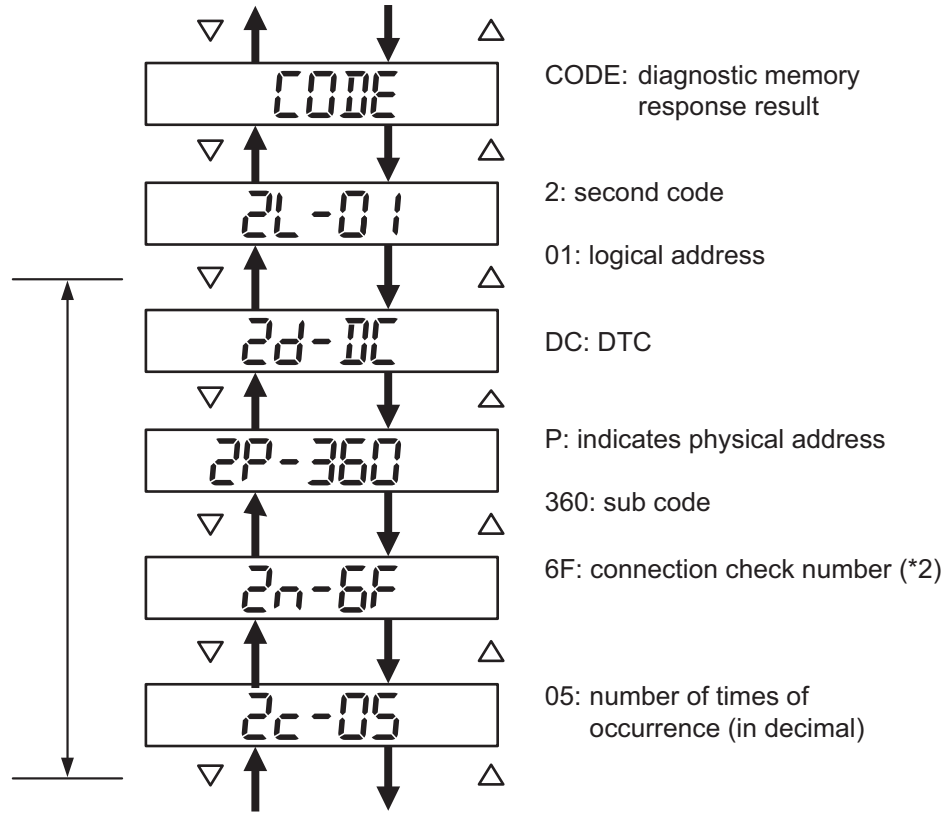


1d-47



Continue to display detailed information when more than one DTC is detected

Continue to display detailed information when more than one DTC is detected



Continue to display detailed information when more than one DTC is detected

△ : SEEK TRACK UP

▽ : SEEK TRACK DOWN



The illustration shows the case that the component with the code 190 has DTC 47 and DC as a result of the system check and the diagnostic memory response.

The detailed information mode shows the system check result first, then the diagnostic memory response result follows. (\*2): As for the DTCs that do not have any sub codes, no sub code is displayed.

The illustration shows the case that the component with the code 190 has DTC 47 and DC as a result of the system check and the diagnostic memory response. The detailed information mode shows the system check result first, then the diagnostic memory response result follows. (\*2): As for the DTCs that do not have any sub codes, no sub code is displayed.

## (3) Displayed items in detailed information mode

Division Code for DTC display	Description	The order of detailed information displayed when the TUNE UP switch is pressed. (The order is reversed when the TUNE DOWN switch is pressed.)
SYS	System check result is displayed.	Logical address → DTC
CODE	Diagnostic memory check result is displayed.	Logical address → DTC → Sub code → Connection confirmation number → The number of times of occurrence

(4) Check the trouble area referring to the DTC list.

(5) To return to the service check mode, press the preset switch 3ch.

**2. DTC CLEAR**

(a) Clearing an individual DTC memory (when clearing the memory of the DTC detected in the past individually)

(1) Press the preset switch 5ch for 2 seconds or more while ECHN is displayed in service check mode or detailed information mode.

HINT:

- A beep sound is emitted once when the DTC memory is completely cleared.
- When the DTC memory is cleared, only the component code (physical address) is displayed for the target component.
- To check DTCs, press the preset switch 1ch and perform the service check again.

(b) Clearing all the DTC memories (when clearing all the memories of DTCs detected in the past)

(1) Start diagnostic mode after repairing the trouble area.

(2) Press the preset switch 5ch for 2 seconds or more (CLR is displayed at this time).

HINT:

- A beep sound is emitted once when the DTC memories are completely cleared.
- When the DTC memories for all the components are cleared, only the component codes (physical address) are displayed.

(3) Press the preset switch 1ch to perform the service check again, and check that no DTCs are displayed for any component codes (physical address).

(c) Finish diagnostic mode

(1) Press DISC for 2 seconds or more, or turn the ignition switch off.