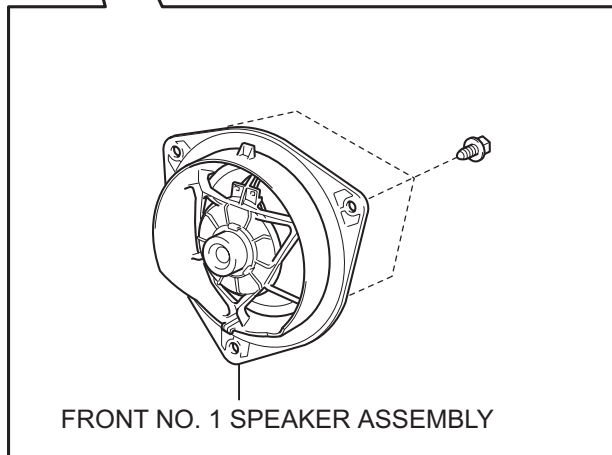
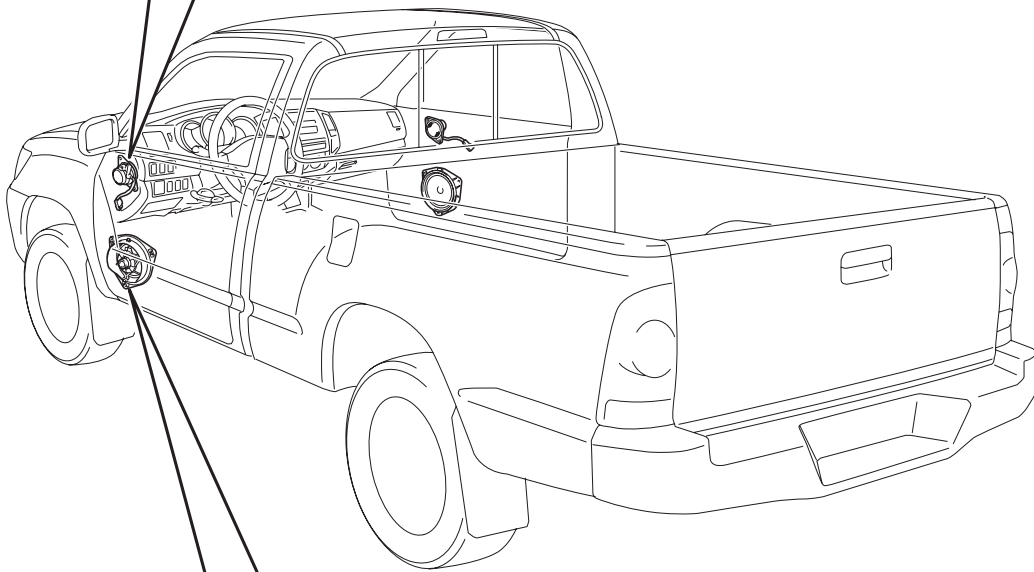
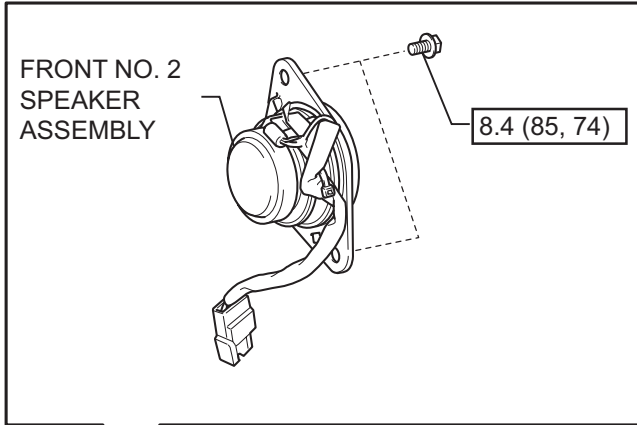


FRONT NO. 1 SPEAKER (for Regular Cab)

COMPONENTS

REGULAR CAB:



N*m (kgf*cm, ft.*lbf); Specified torque

REMOVAL

HINT:

- Use the same procedures for the RH and LH sides.
- The procedures listed below are for the LH side.

1. **DISCONNECT CABLE FROM NEGATIVE BATTERY TERMINAL**
2. **REMOVE FRONT DOOR WINDOW REGULATOR HANDLE ASSEMBLY (See page [ED-34](#))**
3. **REMOVE FRONT DOOR LOWER FRAME BRACKET GARNISH LH (See page [ED-34](#))**
4. **REMOVE FRONT DOOR TRIM PANEL ASSEMBLY LH (See page [ED-35](#))**
5. **REMOVE FRONT NO. 1 SPEAKER ASSEMBLY**
 - (a) Disconnect the connector.
 - (b) Remove the 3 screws and the front No. 1 speaker assembly.

