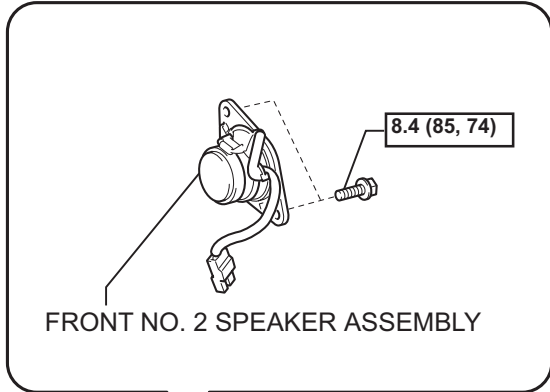


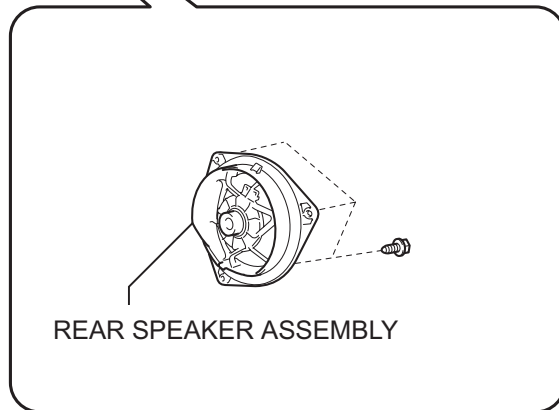
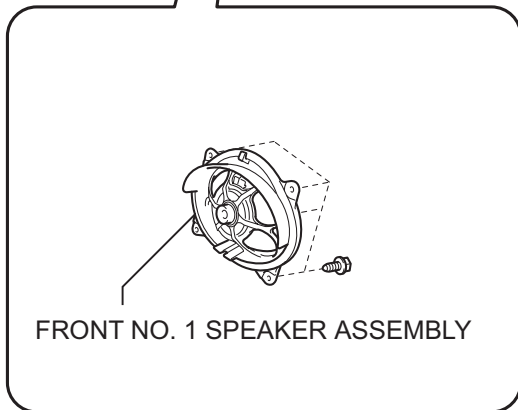
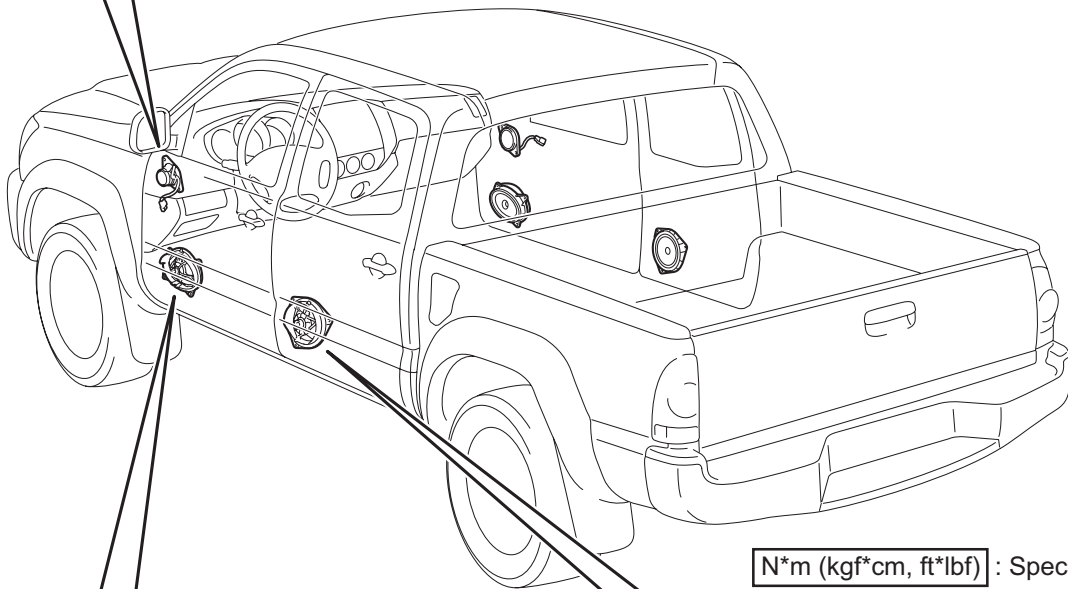
REAR SPEAKER (for Double Cab)

COMPONENTS

AV



DOUBLE CAB:
DOUBLE CAB — PREMIUM VERSION:



REMOVAL

HINT:

- Use the same procedures for the RH and LH sides.
- The procedures listed below are for the LH side.

1. **DISCONNECT CABLE FROM NEGATIVE BATTERY TERMINAL**
2. **REMOVE REAR POWER WINDOW REGULATOR SWITCH ASSEMBLY (See page [ED-68](#))**
3. **REMOVE REAR DOOR TRIM PANEL ASSEMBLY LH (See page [ED-68](#))**
4. **REMOVE REAR DOOR INSIDE HANDLE SUB-ASSEMBLY LH (See page [ED-69](#))**
5. **REMOVE REAR SPEAKER ASSEMBLY**
 - (a) Disconnect the connector.
 - (b) Remove the 3 screws and the rear speaker assembly.

