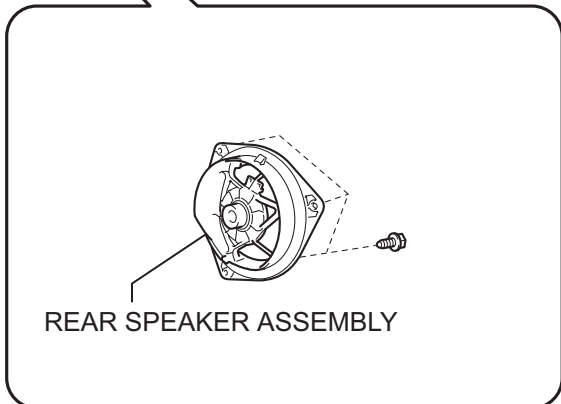
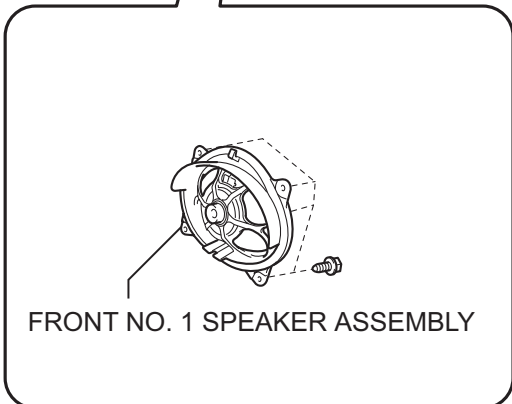
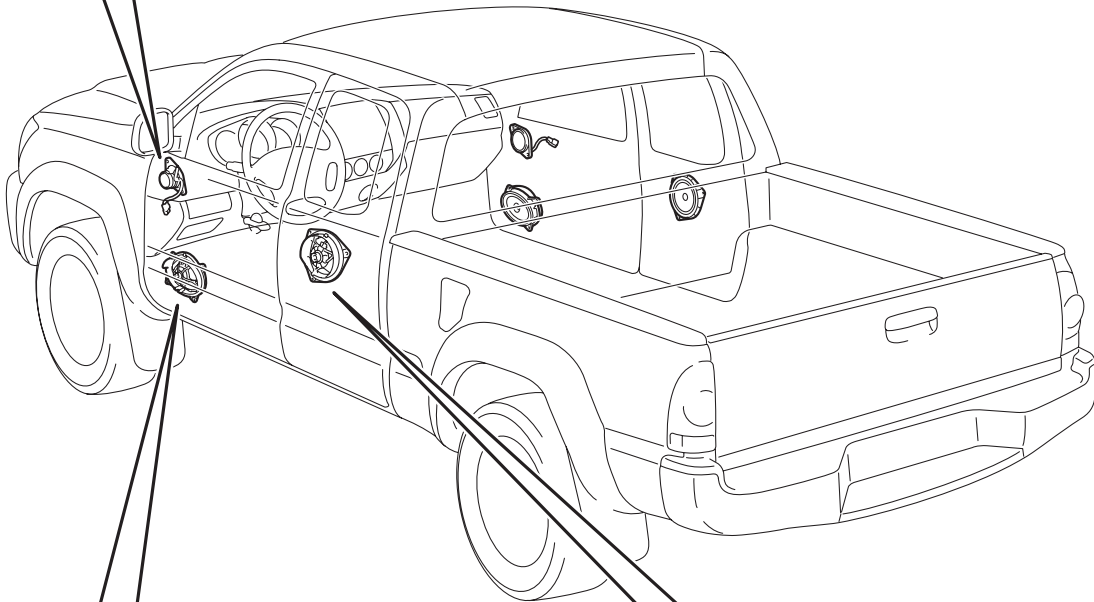
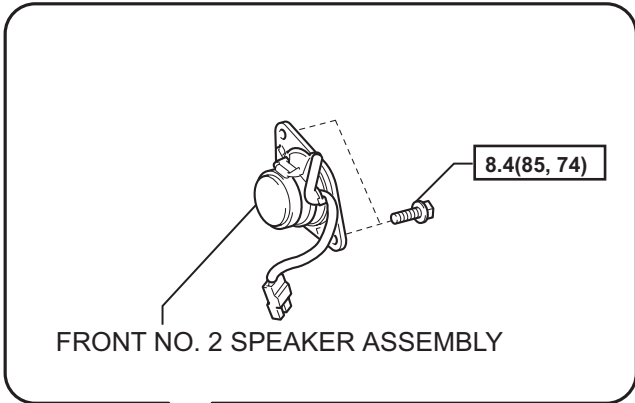


REAR SPEAKER (for Access Cab)

COMPONENTS

AV

ACCESS CAB:



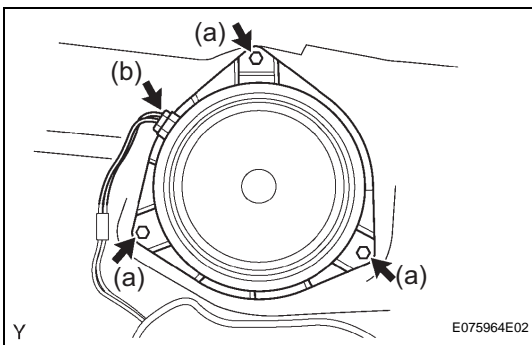
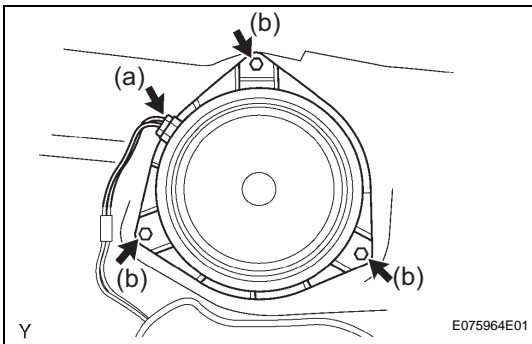
N*m (kgf*cm, ft*lbf) : Specified torque

REMOVAL

HINT:

- Use the same procedures for the RH and LH sides.
- The procedures listed below are for the LH side.

1. **DISCONNECT CABLE FROM NEGATIVE BATTERY TERMINAL**
2. **REMOVE LAP BELT OUTER ANCHOR COVER (See page ED-53)**
3. **REMOVE REAR DOOR TRIM BOARD SUB-ASSEMBLY LH (See page ED-53)**
4. **REMOVE REAR ACCESS PANEL WEATHERSTRIP LH (See page ED-53)**
5. **REMOVE REAR SPEAKER ASSEMBLY**
 - (a) Disconnect the connector.
 - (b) Remove the 3 screws and the rear speaker assembly.



INSTALLATION

1. **INSTALL REAR SPEAKER ASSEMBLY**
 - (a) Install the rear speaker assembly with the 3 screws.
 - (b) Connect the connector.
2. **INSTALL REAR ACCESS PANEL WEATHERSTRIP LH (See page ED-64)**
3. **INSTALL REAR DOOR TRIM BOARD SUB-ASSEMBLY (See page ED-63)**
4. **INSTALL LAP BELT OUTER ANCHOR COVER (See page ED-63)**
5. **CONNECT CABLE TO NEGATIVE BATTERY TERMINAL**
Torque: 3.9 N*m (40 kgf*cm, 35 in.*lbf)