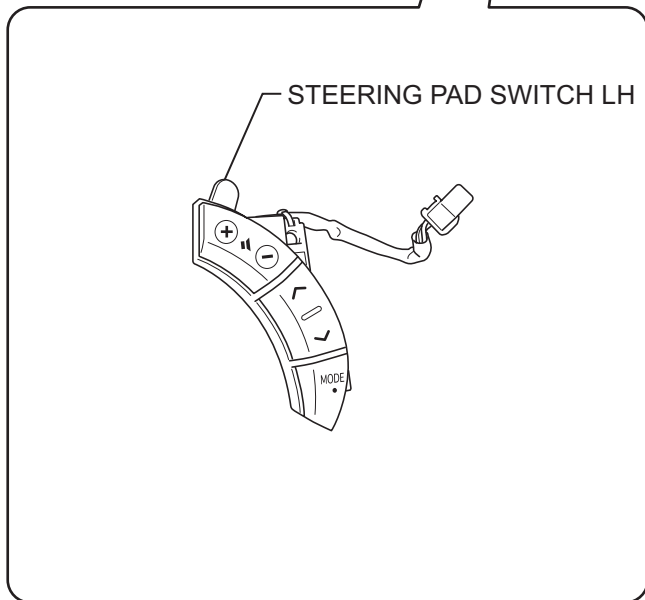
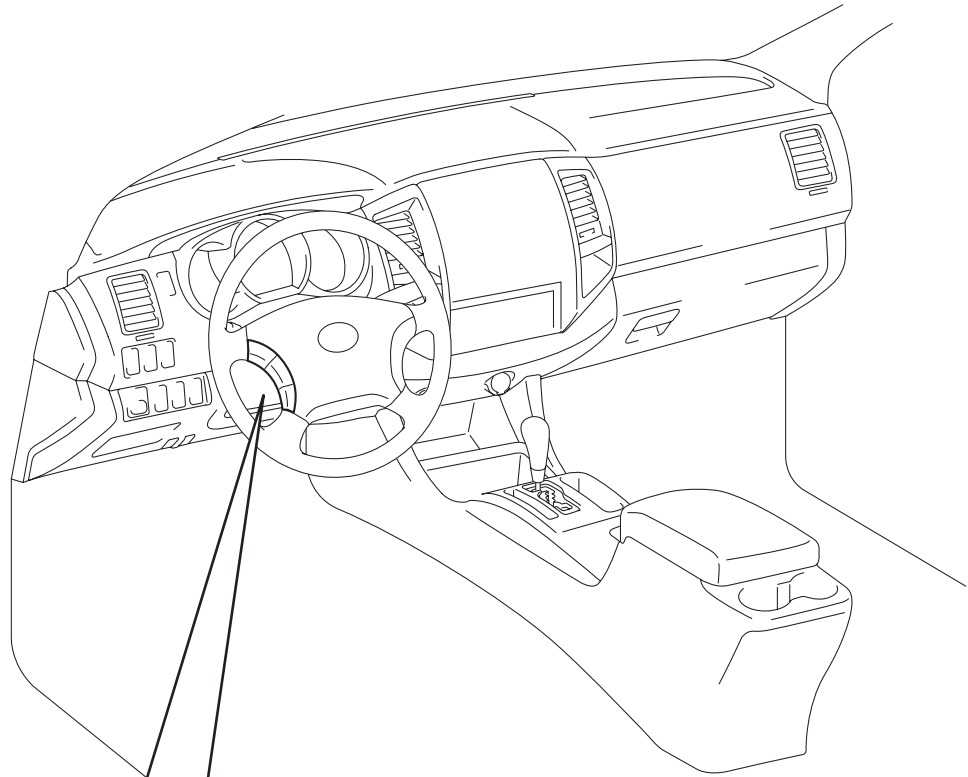


# STEERING PAD SWITCH

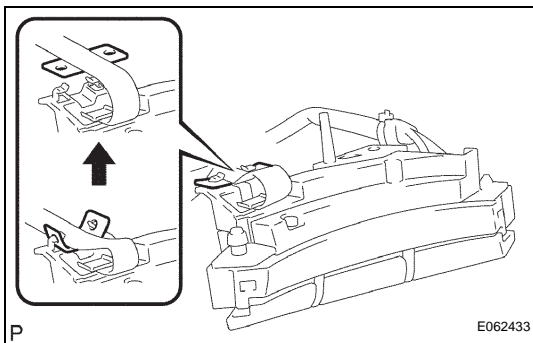
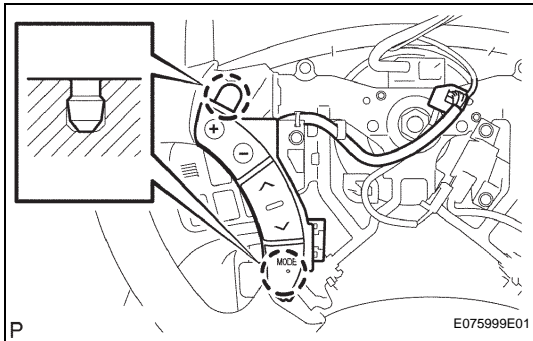
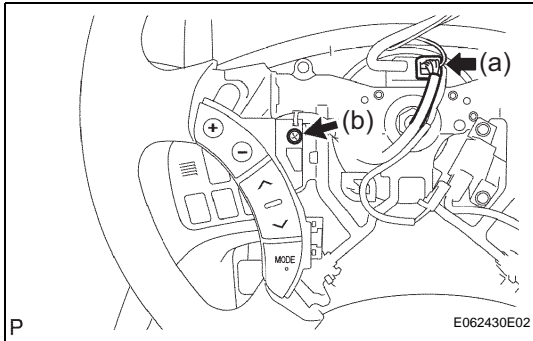
## COMPONENTS

AV



## REMOVAL

1. **DISCONNECT CABLE FROM NEGATIVE BATTERY TERMINAL**  
Wait for 90 seconds after disconnecting the cable to prevent the airbag working.
2. **REMOVE NO. 2 LOWER STEERING WHEEL COVER**  
(See page [SR-9](#))
3. **REMOVE NO. 3 LOWER STEERING WHEEL COVER**  
(See page [SR-9](#))
4. **REMOVE HORN BUTTON ASSEMBLY** (See page [RS-558](#))
5. **REMOVE STEERING PAD SWITCH LH**

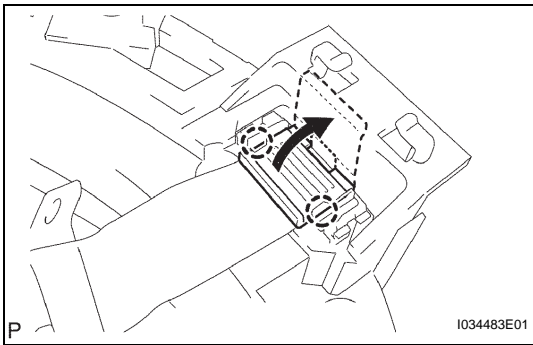


- (a) Disconnect the connector.  
(b) Remove the screw.

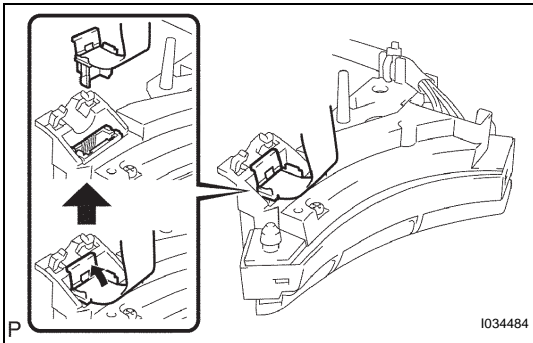
- (c) Disengage the 2 pins and remove the steering pad switch LH.

- (d) Release the tab of the steering pad switch cable from the steering pad switch LH as shown in the illustration.

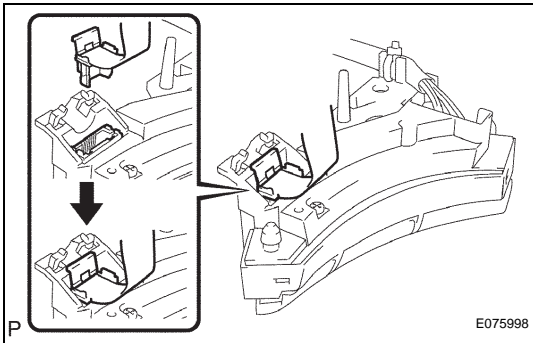
AV



- (e) Disengage the 2 claws and open the latch on the top of the connector as shown in the illustration.



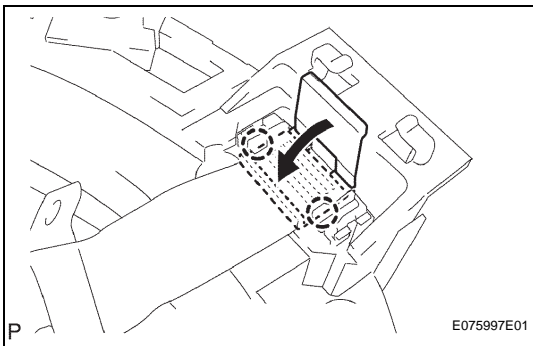
- (f) Pull out the connector while pinching the latch with fingers and disconnect the steering pad switch cable from the steering pad switch LH.



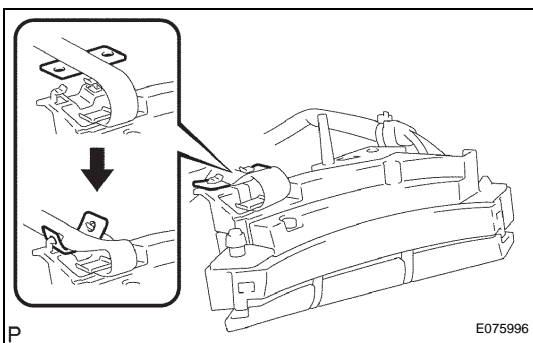
## INSTALLATION

### 1. INSTALL STEERING PAD SWITCH LH

- (a) Install the steering pad switch cable onto the steering pad switch LH while holding the connector cover.



- (b) Hold the connector cover down to engage the 2 claws as shown in the illustration.



- (c) Install the tab of the steering pad switch cable onto the steering pad switch LH as shown in the illustration.