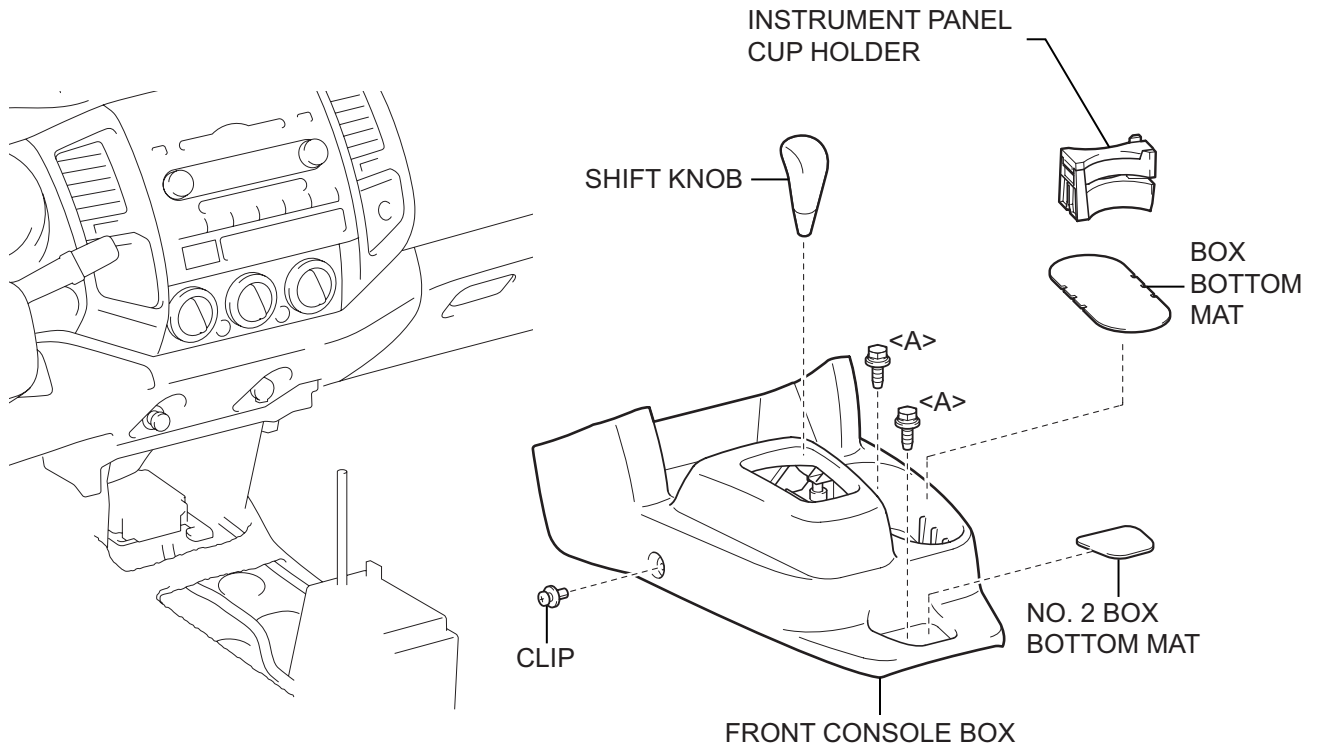

INSTRUMENT PANEL SAFETY PAD

PRECAUTION

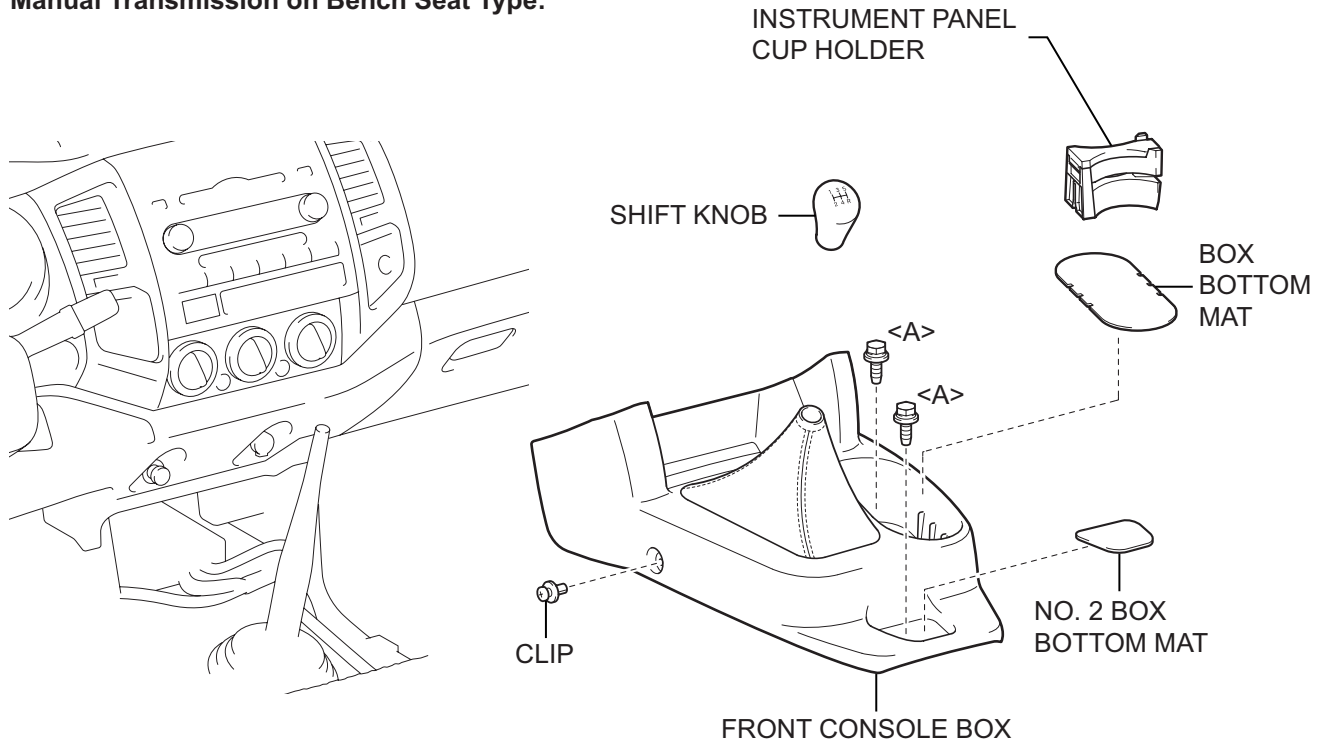
1. **PRECAUTION FOR VEHICLE WITH SRS AIRBAG AND SEAT BELT PRETENSIONER**
 - (a) Some operations in this section may affect the SRS airbags. Prior to performing the corresponding operations, read the SRS airbag NOTICE (see page [RS-1](#)).

COMPONENTS

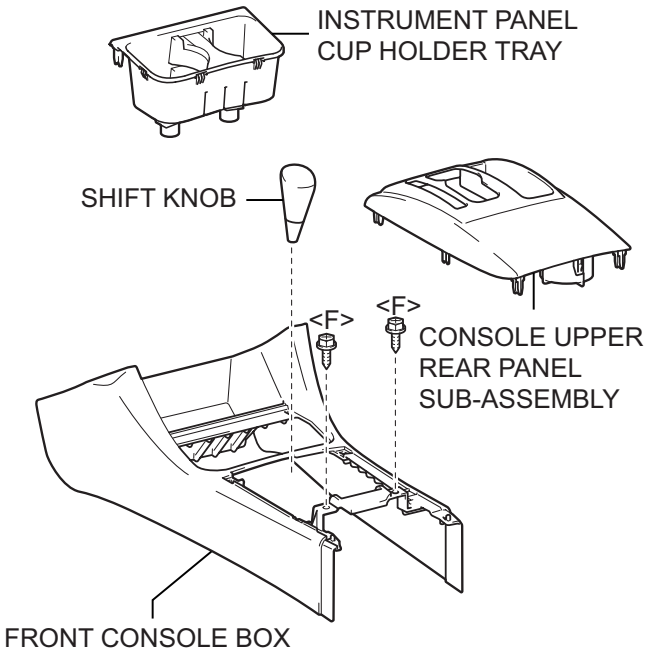
for Automatic Transmission on Bench Seat Type:



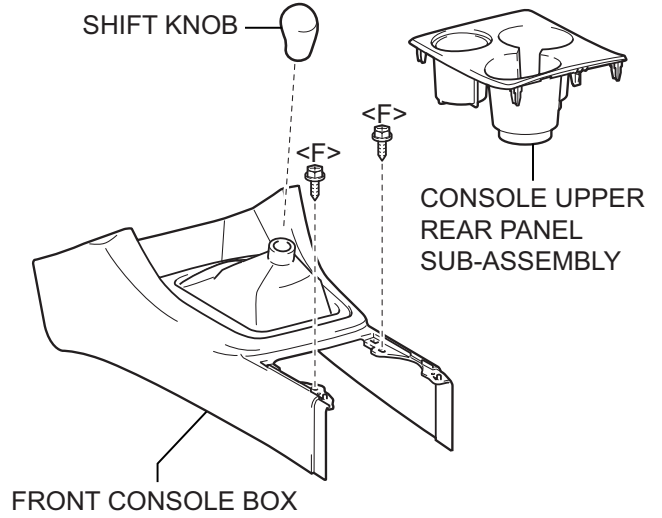
for Manual Transmission on Bench Seat Type:



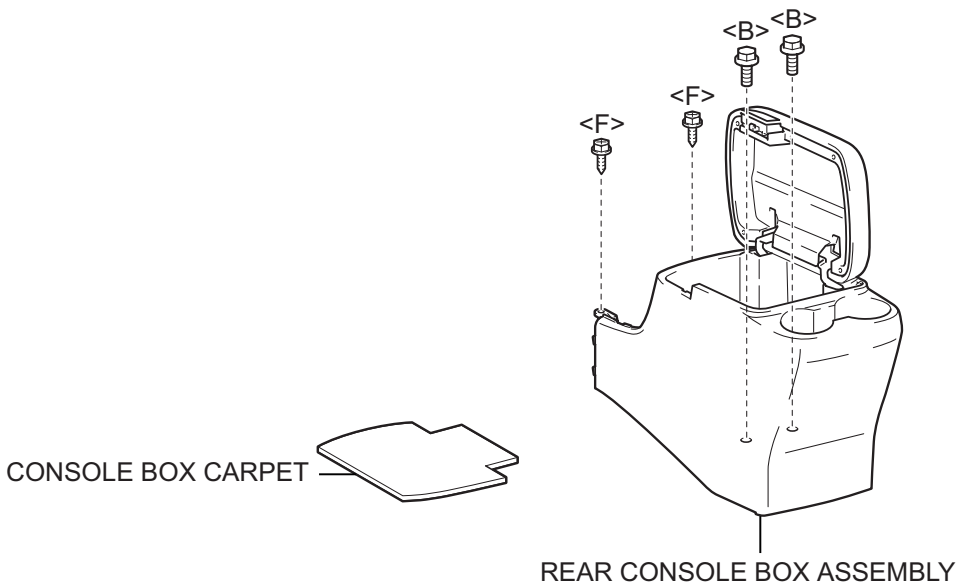
for Automatic Transmission
on Separate Seat Type :



for Manual Transmission
on Separate Seat Type:

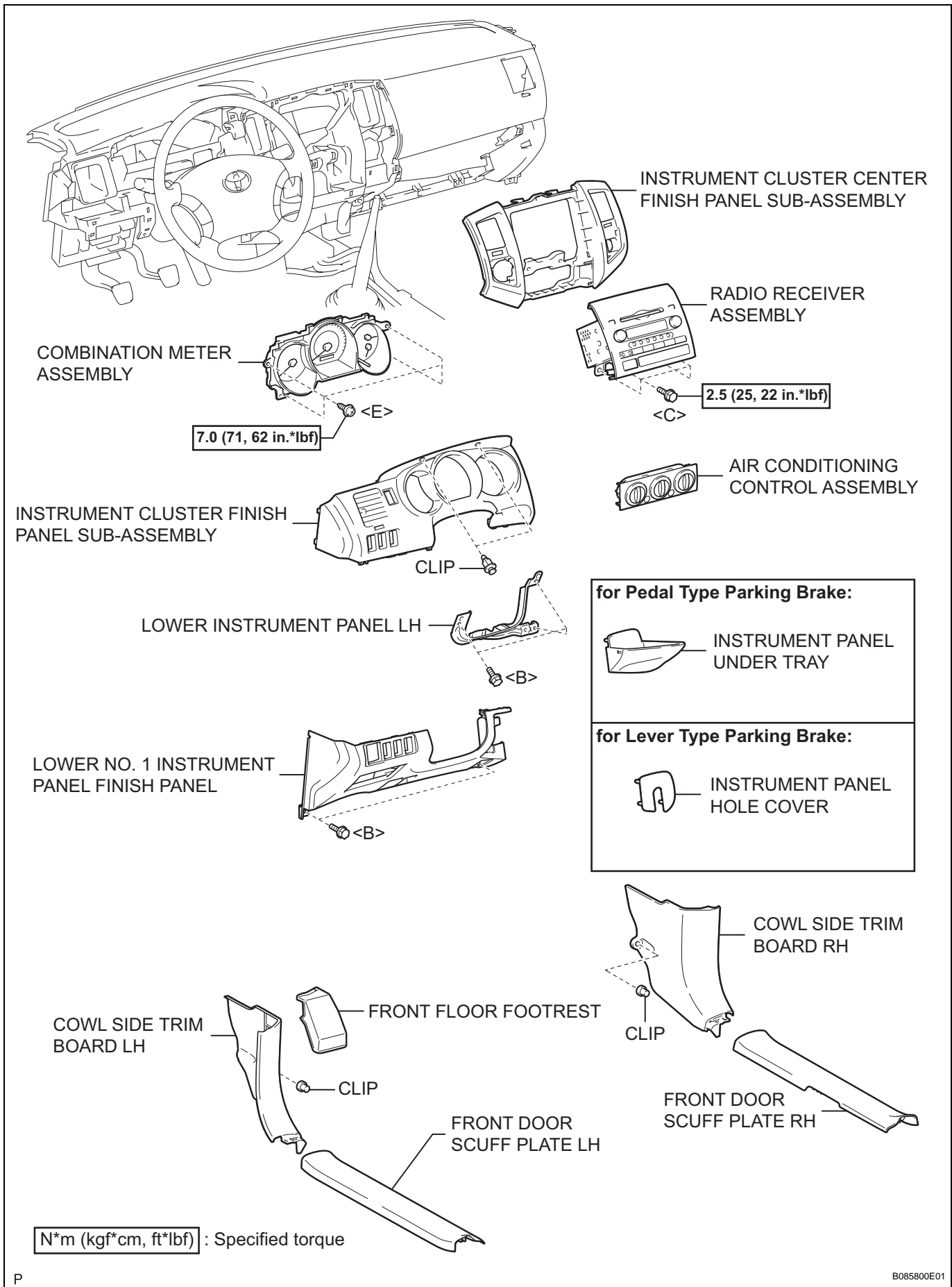


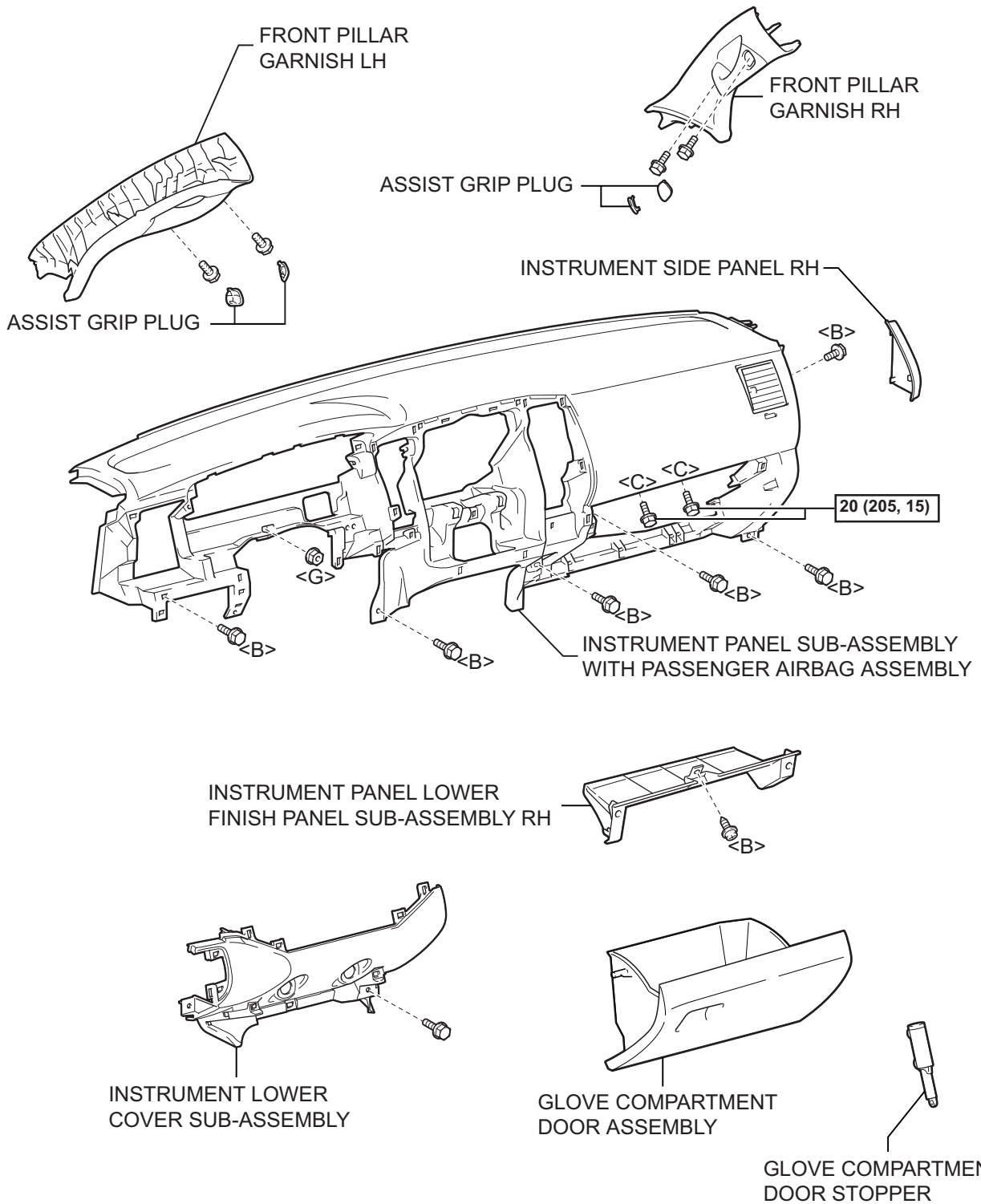
for Separate Seat Type:



IP

IP

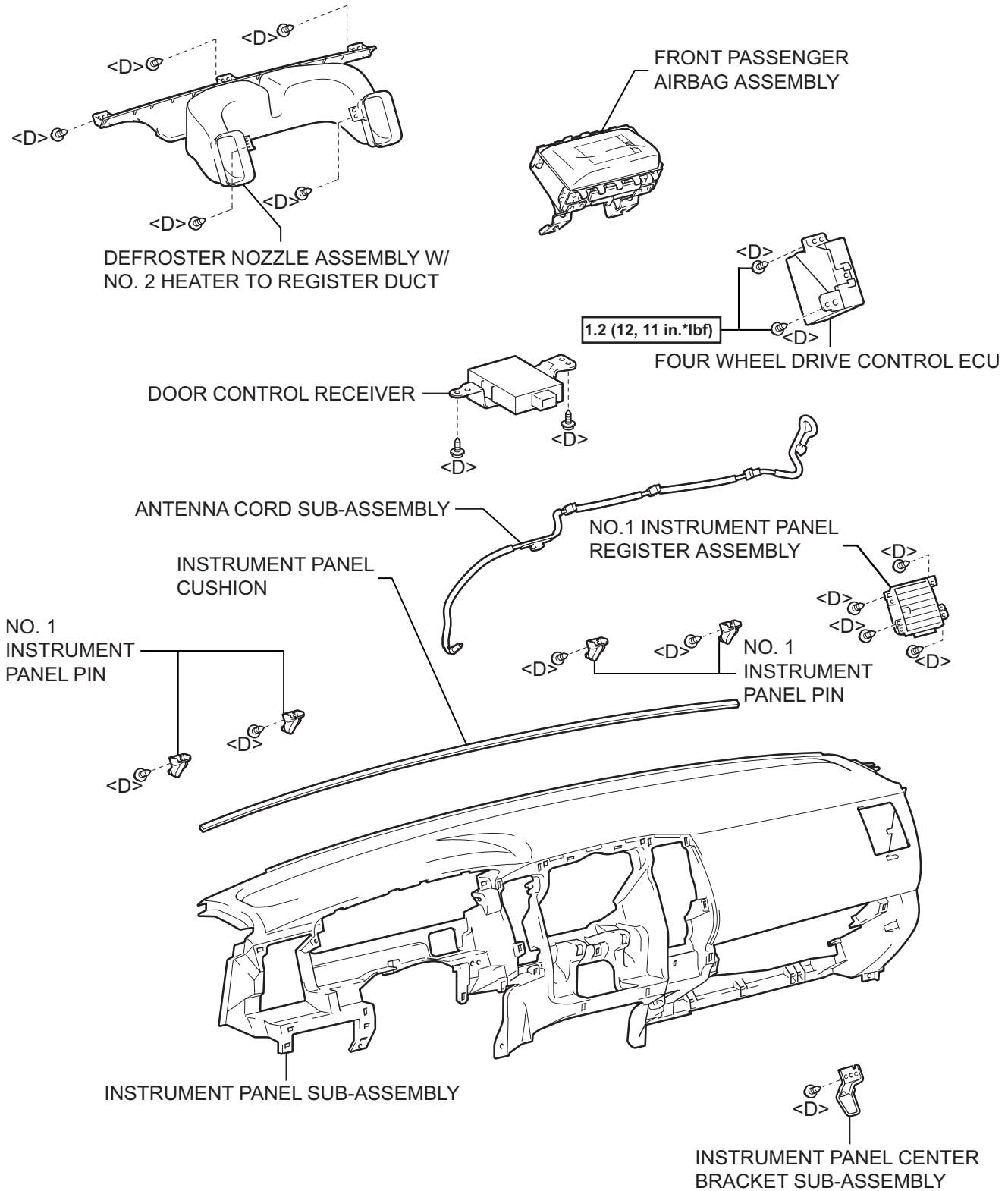




IP

$\boxed{\text{N*m (kgf*cm, ft.*lbf)}}$: Specified torque

IP



N*m (kgf*cm, ft.*lbf) : Specified torque