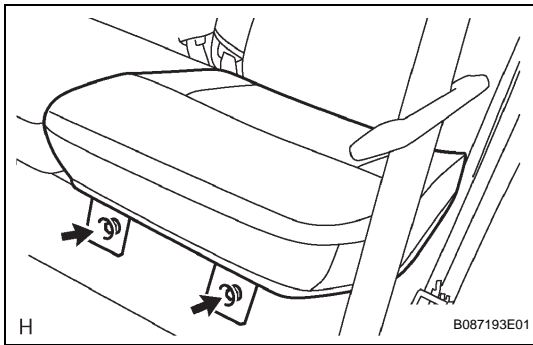


**REMOVAL****1. REMOVE REAR SEAT CUSHION ASSEMBLY**

- (a) Remove the 2 bolts and rear seat cushion.

**2. REMOVE REAR SEAT BACK HINGE COVER**

- (a) for LH Side:

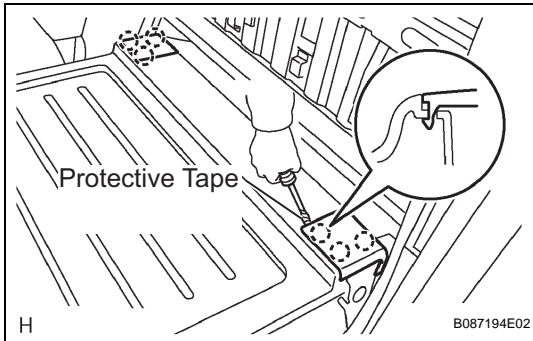
HINT:

Follow the same procedures as for the opposite side.

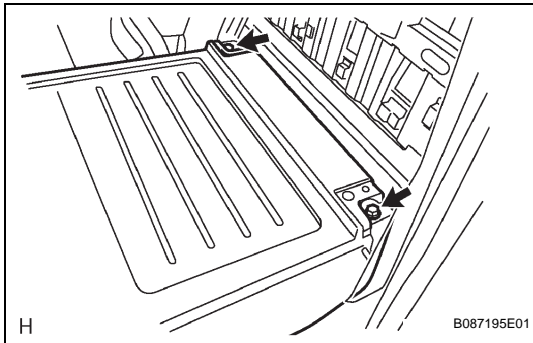
- (1) Using a screwdriver with its tip taped in protective tape, disengage the 3 claws and remove the rear seat back hinge cover.

- (b) for RH Side:

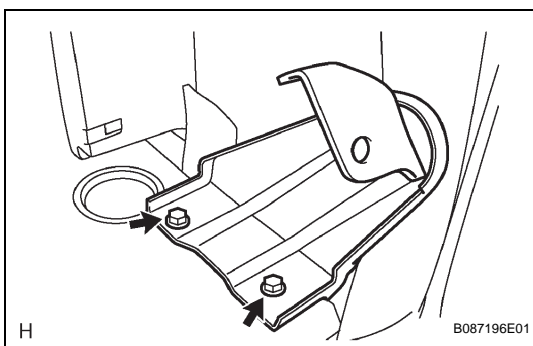
- (1) Remove the rear seat back hinge cover (See page [SE-82](#)).

**3. REMOVE REAR SEAT BACK ASSEMBLY LH**

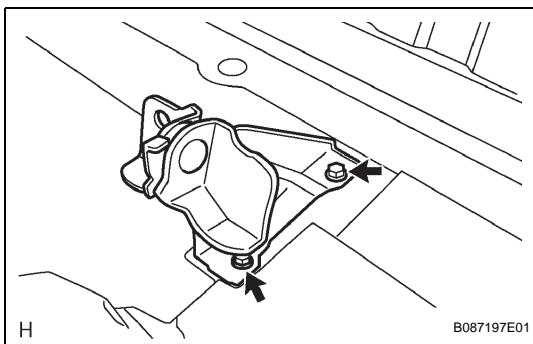
- (a) Remove the 2 bolts and rear seat back.

**4. REMOVE REAR SEAT BACK ASSEMBLY RH (See page [SE-82](#))****5. REMOVE REAR SEAT BACK HINGE SUB-ASSEMBLY**

- (a) Remove the 2 bolts and rear seat back hinge.

**6. REMOVE LUGGAGE COMPARTMENT SIDE TRAY (See page [IR-16](#))****7. REMOVE REAR SEAT BACK CENTER HINGE SUB-ASSEMBLY**

- (a) Remove the 2 bolts and rear seat back center hinge.



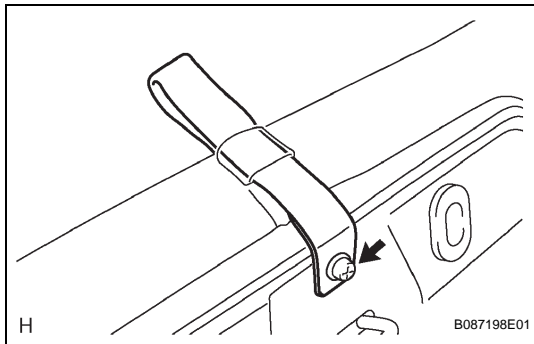
## DISASSEMBLY

### CAUTION:

Wear protective gloves. Sharp surface on the rear seat back frame could cause injuries to your hands.

#### 1. REMOVE REAR SEAT CUSHION BAND

- (a) Remove the screw and rear seat cushion band.

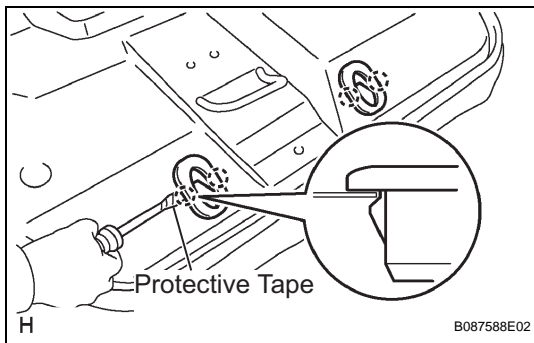


#### 2. REMOVE REAR SEAT HEADREST HOLDER

##### HINT:

Follow the same procedures as for the opposite side.

- (a) Using a screwdriver, disengage the 2 claws and remove the rear seat headrest holder.

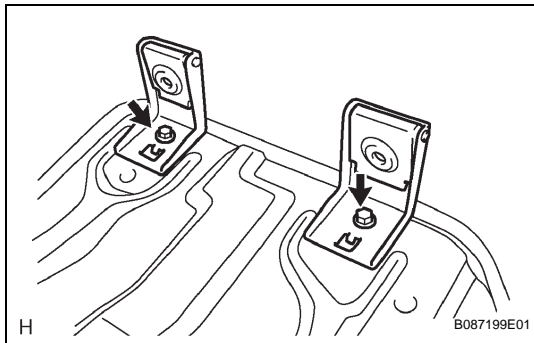


#### 3. REMOVE REAR SEAT CUSHION HINGE SUB-ASSEMBLY

##### HINT:

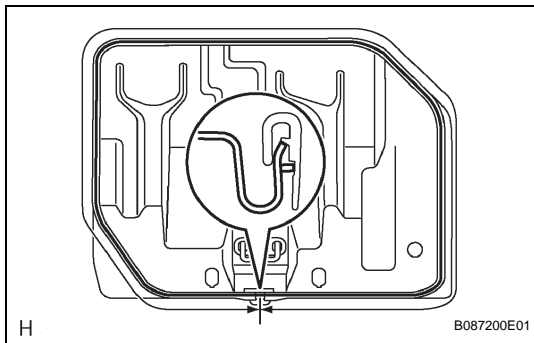
Follow the same procedures as for the opposite side.

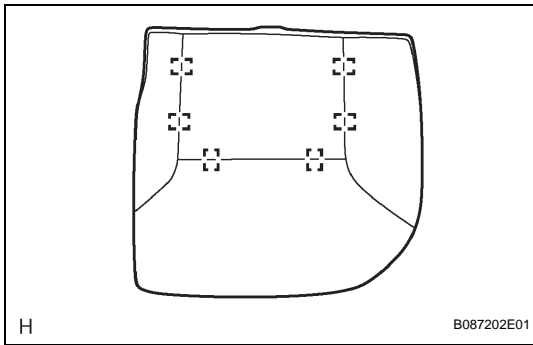
- (a) Remove the bolt and rear seat cushion hinge.



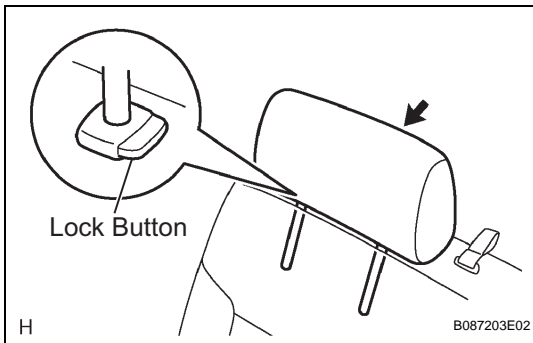
#### 4. REMOVE REAR SEAT CUSHION FRAME SUB-ASSEMBLY

- (a) Disengage the hook and remove the rear seat cushion frame.

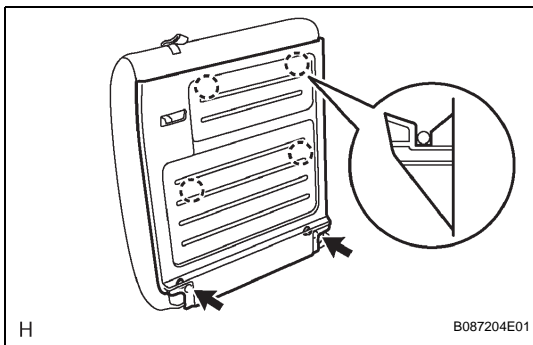


**5. REMOVE REAR SEAT CUSHION COVER**

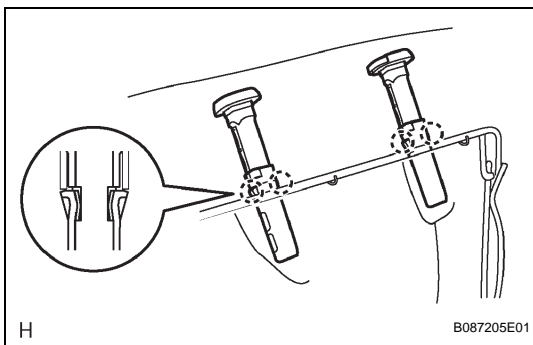
- (a) Remove the 6 hog rings and rear seat cushion cover.

**6. REMOVE REAR SEAT HEADREST ASSEMBLY**

- (a) Disengage the lock button of the rear seat headrest support and remove the rear seat headrest.

**7. REMOVE REAR SEAT BACK BOARD SUB-ASSEMBLY**

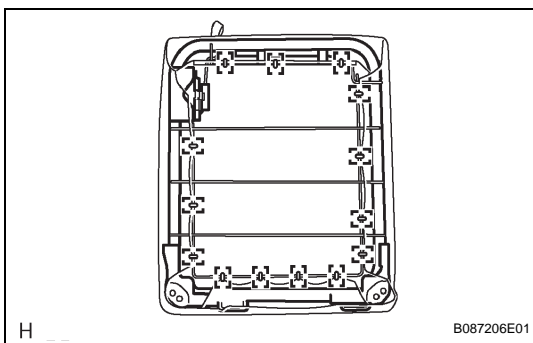
- (a) Remove the 2 screws.  
 (b) Disengage the 4 claws and remove the rear seat back board.

**8. REMOVE REAR SEAT HEADREST SUPPORT**

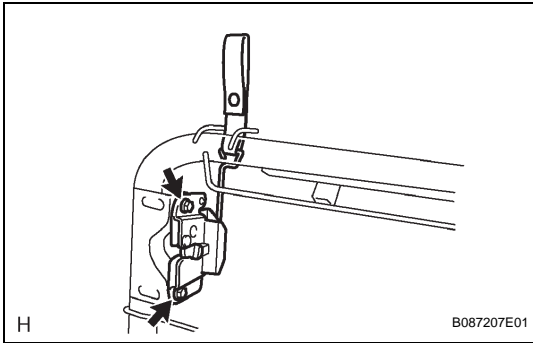
HINT:

Follow the same procedures as for the opposite side.

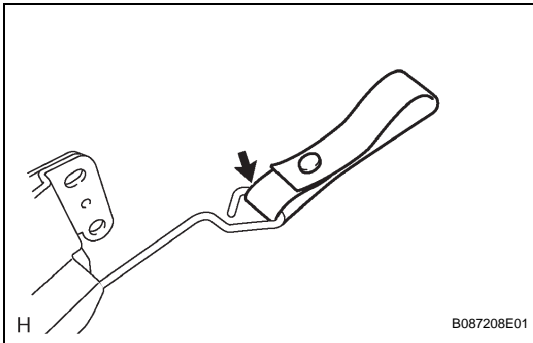
- (a) Disengage the 2 claws and remove the rear seat headrest support.

**9. REMOVE REAR SEAT BACK FRAME SUB-ASSEMBLY**

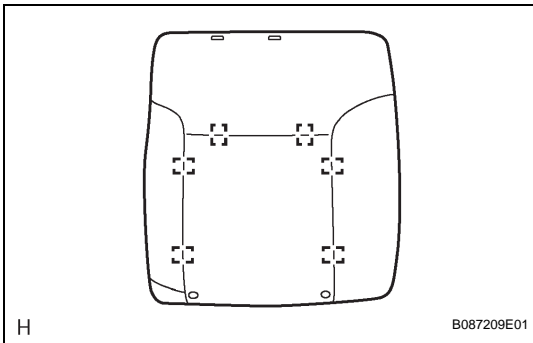
- (a) Remove the 14 hog rings.  
 (b) Remove the rear seat back spring from the rear seat back pad.

**10. REMOVE REAR SEAT BACK LOCK ASSEMBLY**

- (a) Remove the 2 bolts and rear seat back lock.

**11. REMOVE REAR SEAT LOCK HANDLE**

- (a) Remove the rear seat lock handle from the rear seat back lock.

**12. REMOVE REAR SEAT BACK COVER**

- (a) Remove the 6 hog rings and rear seat back cover.