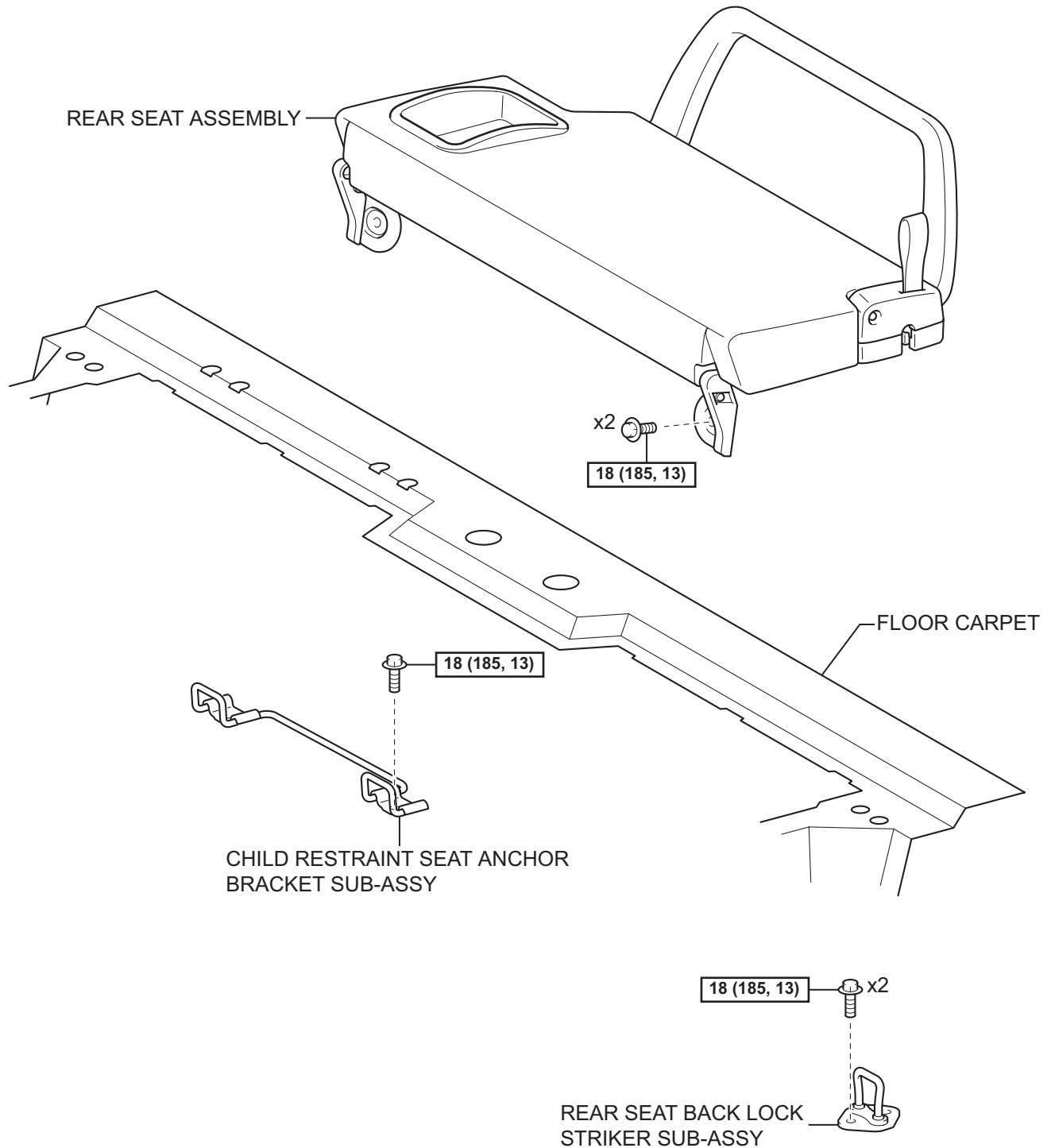


REAR SEAT ASSEMBLY (for Access Cab)

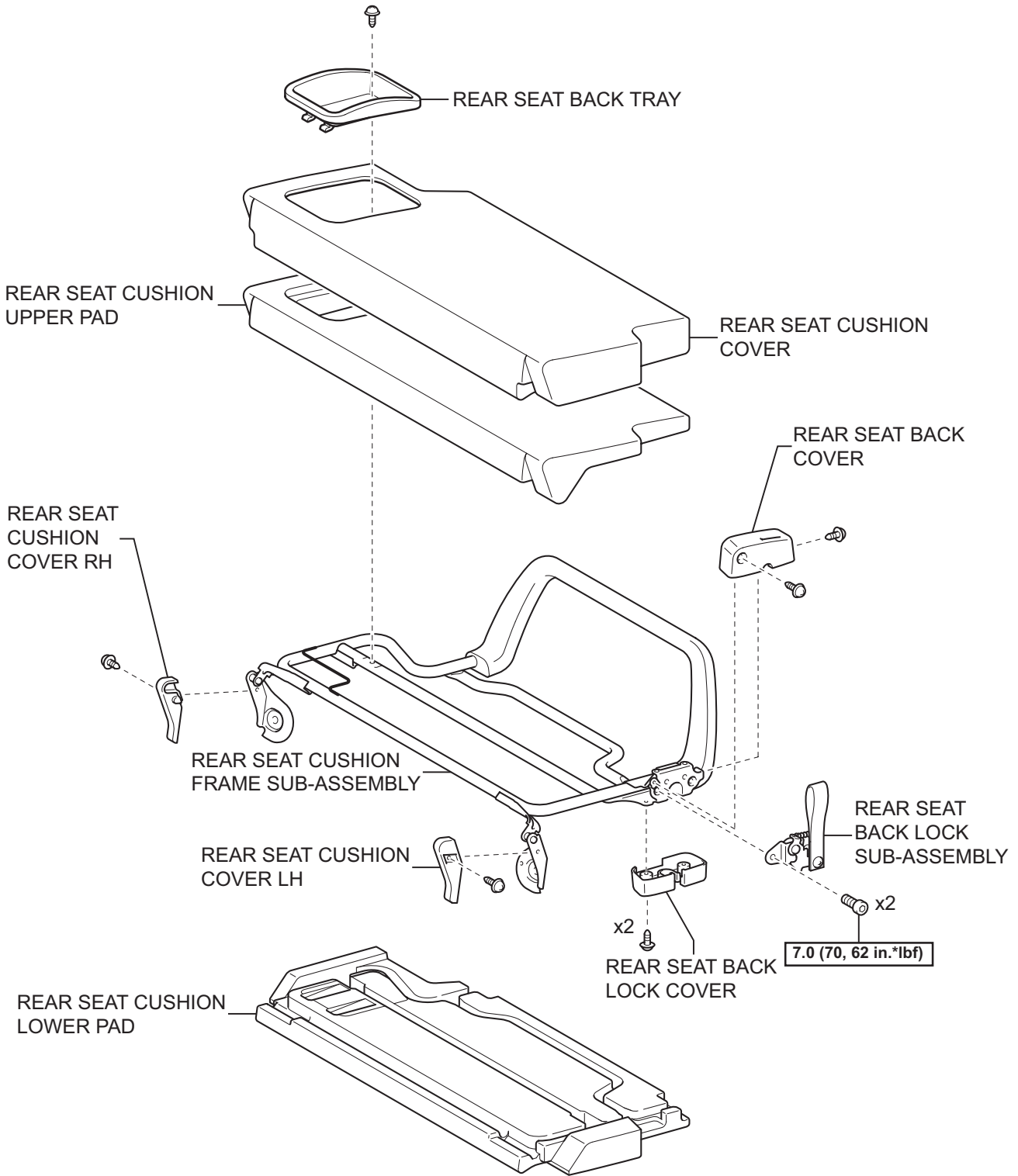
COMPONENTS



N*m (kgf*cm, ft*lbf) : Specified torque

SE

SE



N*m (kgf*cm, ft*lbf) : Specified torque