

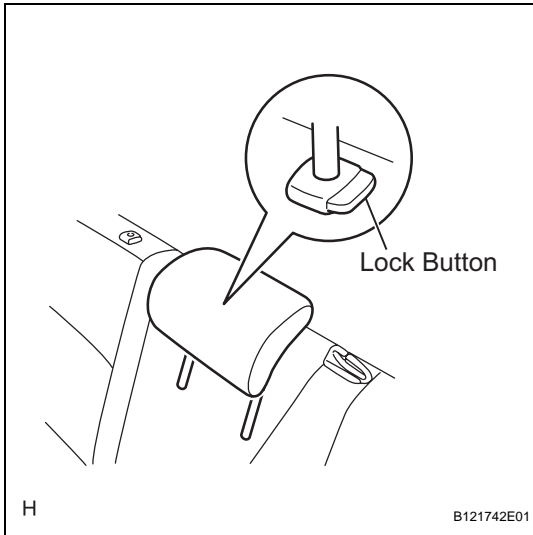
DISASSEMBLY

CAUTION:

Wear protective gloves. Sharp surfaces on the front seat back spring and the front seat cushion spring could cause injuries to your hands.

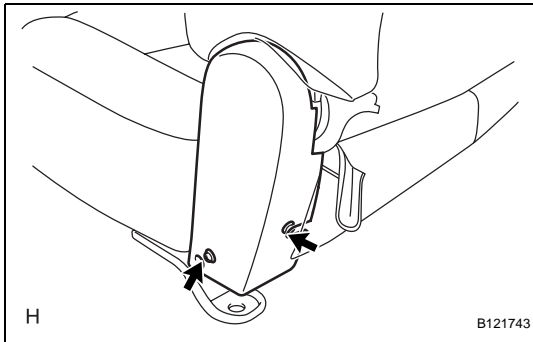
NOTICE:

Remove the front seat cushion pad and the front seat cushion cover together, in order to avoid occupant classification sensor malfunctions.



1. REMOVE FRONT CENTER SEAT HEADREST ASSEMBLY

- (a) Push in the lock button of the front seat headrest support and remove the front center seat headrest.



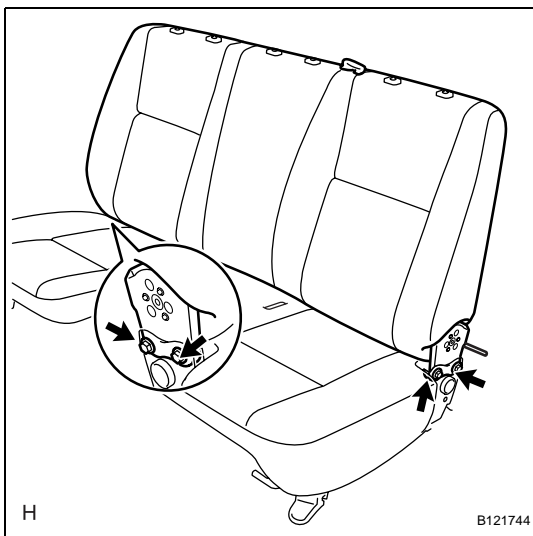
2. REMOVE FRONT SEAT HINGE COVER LH

- (a) Remove the 2 screws and the front seat hinge cover.

3. REMOVE FRONT SEAT HINGE COVER RH

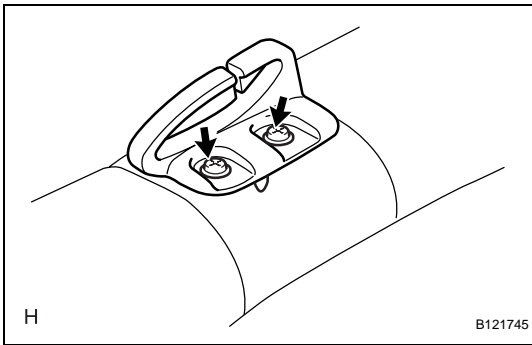
HINT:

Use the same procedure as for the LH side.



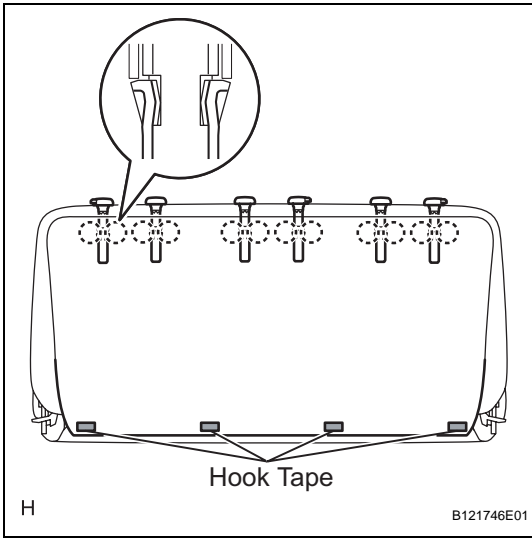
4. REMOVE FRONT SEAT BACK ASSEMBLY

- (a) Remove the 4 bolts and the front seat back.



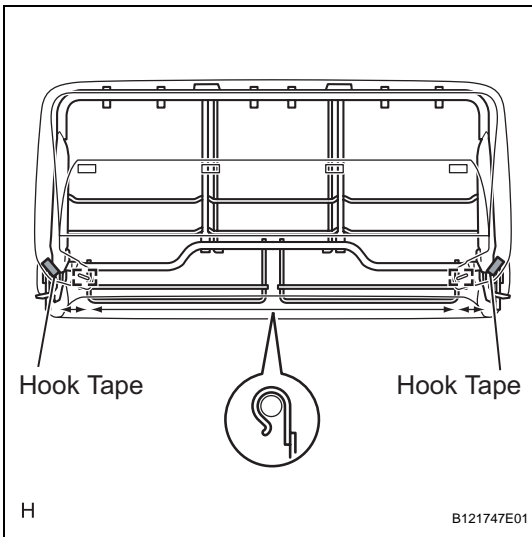
5. REMOVE FRONT CENTER SEAT OUTER BELT GUIDE

- (a) Remove the 2 screws, the pin and the front center seat outer belt guide.



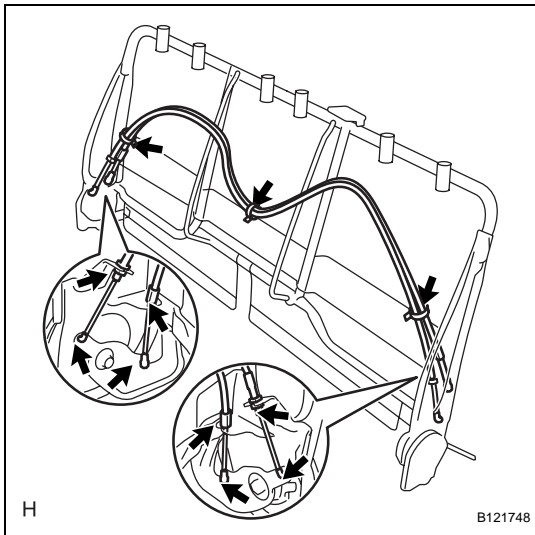
6. REMOVE FRONT SEAT HEADREST SUPPORT

- (a) Remove the 4 pieces of hook tape and open the front seat back cover.
- (b) Disengage the 12 claws and remove the 6 front seat headrest supports.



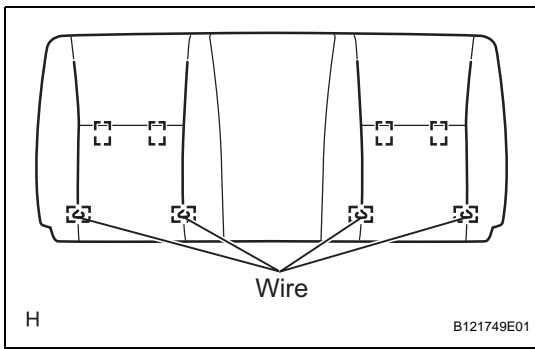
7. REMOVE FRONT SEAT BACK SPRING ASSEMBLY

- (a) Remove the 2 hog rings.
- (b) Remove the 2 pieces of hook tape.
- (c) Disengage the 4 hooks and remove the front seat back spring.



8. REMOVE FRONT SEAT RECLINING CONTROL CABLE ASSEMBLY

- (a) Remove the 3 wiring harness clamps.
- (b) Loosen the 2 nuts and remove the 2 screw caps.
- (c) Remove the 2 casing caps.
- (d) Remove the 4 cable ends and the 2 front seat reclining control cables.



9. REMOVE FRONT SEAT BACK COVER

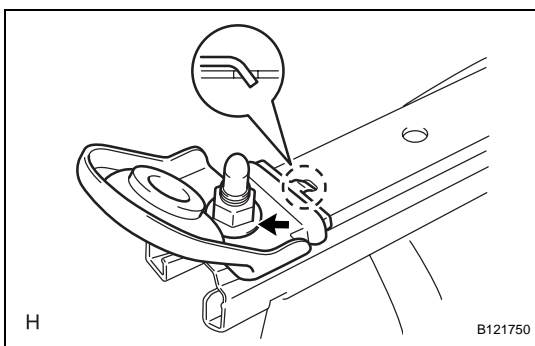
- (a) Remove the 4 hog rings and the 4 wires.
- (b) Remove the 4 hog rings and the front seat back cover.

10. REMOVE OCCUPANT CLASSIFICATION ECU (See page [RS-635](#))

11. REMOVE SEAT POSITION SENSOR PROTECTOR (See page [RS-620](#))

12. REMOVE SEAT POSITION SENSOR

- (a) for Driver Side:
 - (1) Remove the seat position sensor (See page [RS-621](#)).
- (b) for Front Passenger Side:
 - (1) Remove the seat position sensor (See page [RS-621](#)).

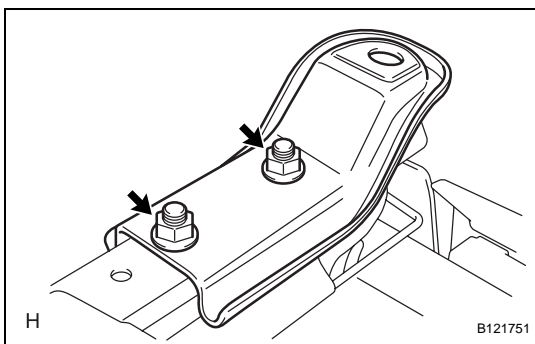


13. REMOVE FRONT SEAT TRACK FRONT BRACKET LH

- (a) Remove the nut, the hook and the front seat track front bracket.

14. REMOVE FRONT SEAT TRACK FRONT BRACKET RH

- HINT:
Use the same procedure as for the LH side.

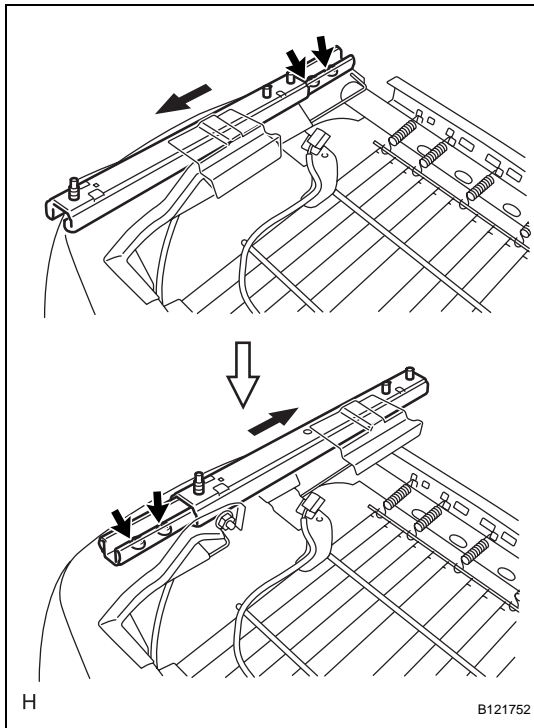


15. REMOVE FRONT SEAT TRACK REAR BRACKET LH

- (a) Remove the 2 nuts and the front seat track rear bracket.

16. REMOVE FRONT SEAT TRACK REAR BRACKET RH

- HINT:
Use the same procedure as for the LH side.



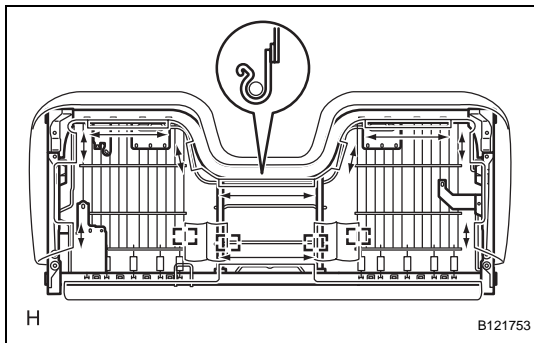
17. REMOVE FRONT SEAT TRACK OUTER ASSEMBLY LH

- (a) Slide the front seat track outer to the most rearward position.
- (b) Using "Torx" socket wrench T40, remove the 2 bolts.
- (c) Slide the front seat track outer to the most forward position.
- (d) Using "Torx" socket wrench T40, remove the 2 bolts and the front seat track outer.

18. REMOVE FRONT SEAT TRACK OUTER ASSEMBLY RH

HINT:

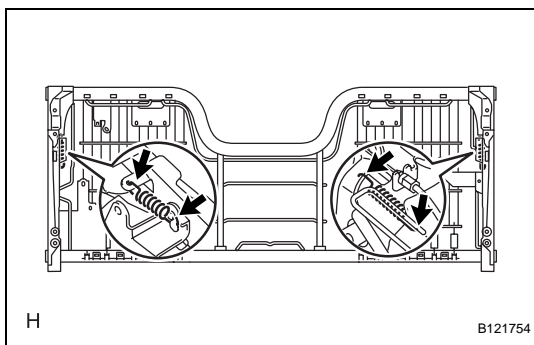
Use the same procedure as for the LH side.



19. REMOVE FRONT SEAT CUSHION SPRING ASSEMBLY

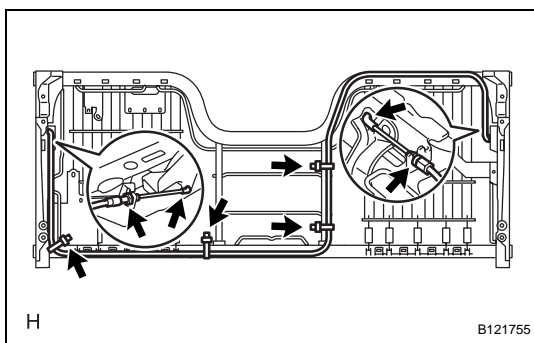
- (a) Remove the 4 hog rings.
- (b) Disengage the 10 hooks and remove the front seat cushion spring.

20. REMOVE OCCUPANT CLASSIFICATION SENSOR (See page RS-627)



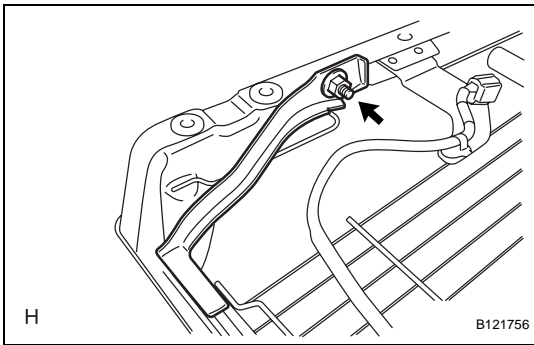
21. REMOVE SEAT TRACK SPRING

- (a) Remove the 2 seat track springs.

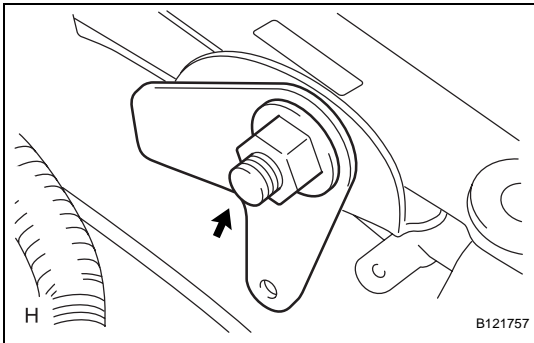


22. REMOVE FRONT SEAT SLIDE CONTROL CABLE ASSEMBLY

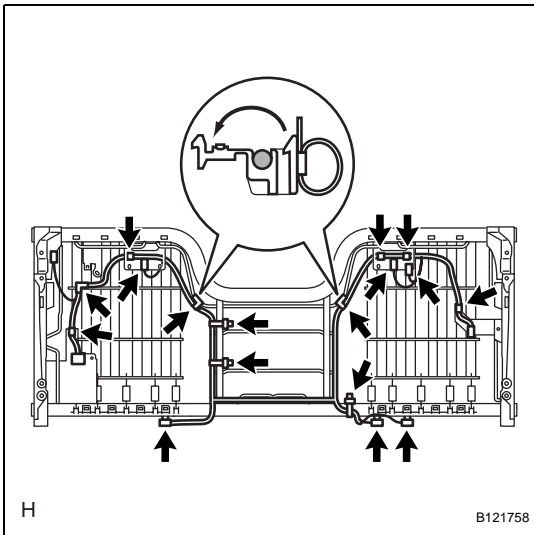
- (a) Remove the 4 wiring harness clamps.
- (b) Loosen the nut and remove the screw cap.
- (c) Remove the casing cap.
- (d) Remove the 2 cable ends and the front seat slide control cable.

**23. REMOVE SEAT TRACK HANDLE SUB-ASSEMBLY LH**

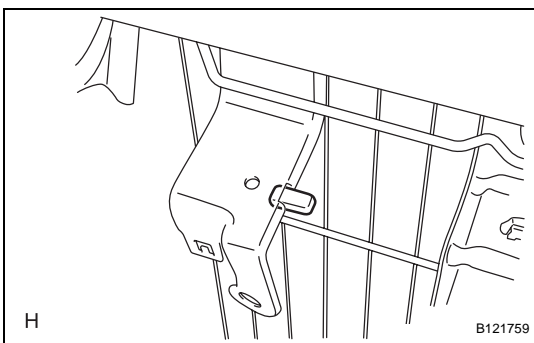
- (a) Remove the nut and the seat track handle.

**24. REMOVE SEAT TRACK HANDLE SUB-ASSEMBLY RH**

- (a) Remove the nut and the seat track handle.

**25. REMOVE SEAT WIRE**

- (a) Remove the 5 wiring harness clamps.
(b) Using a clip remover, remove the 12 wiring harness clamps and the seat wire.

**26. REMOVE FRONT SEAT CUSHION SPRING PROTECTOR**

- (a) Remove the front seat cushion spring protector.