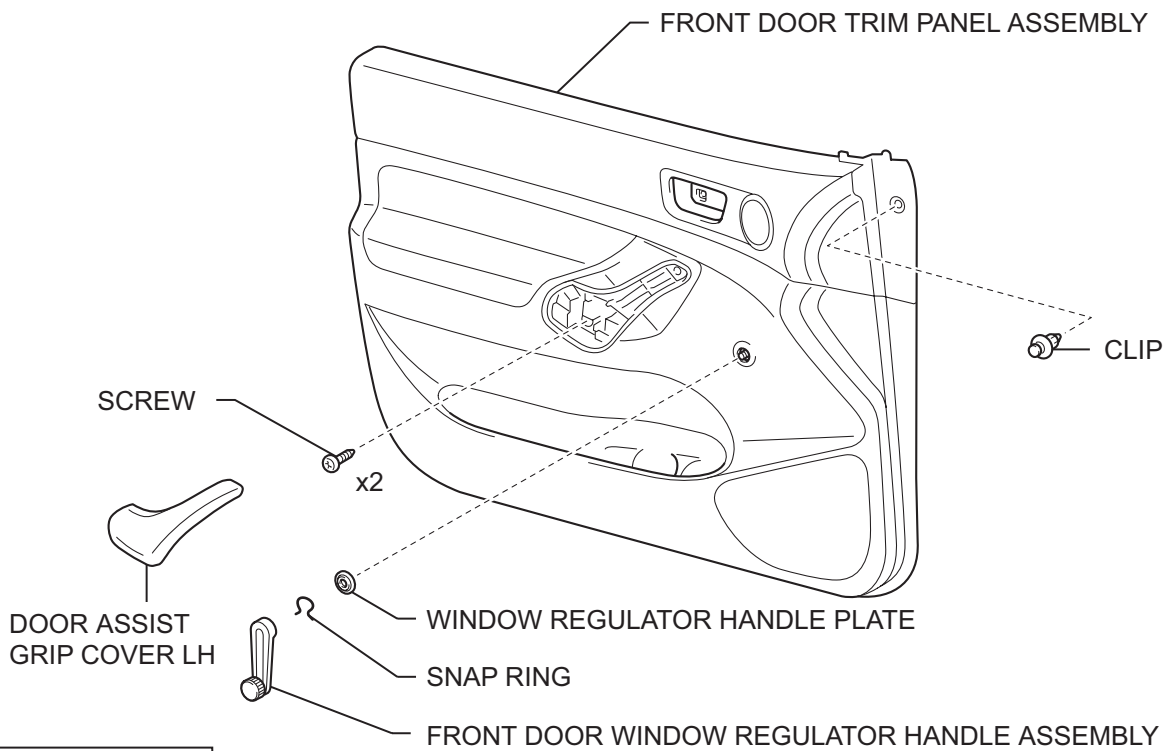
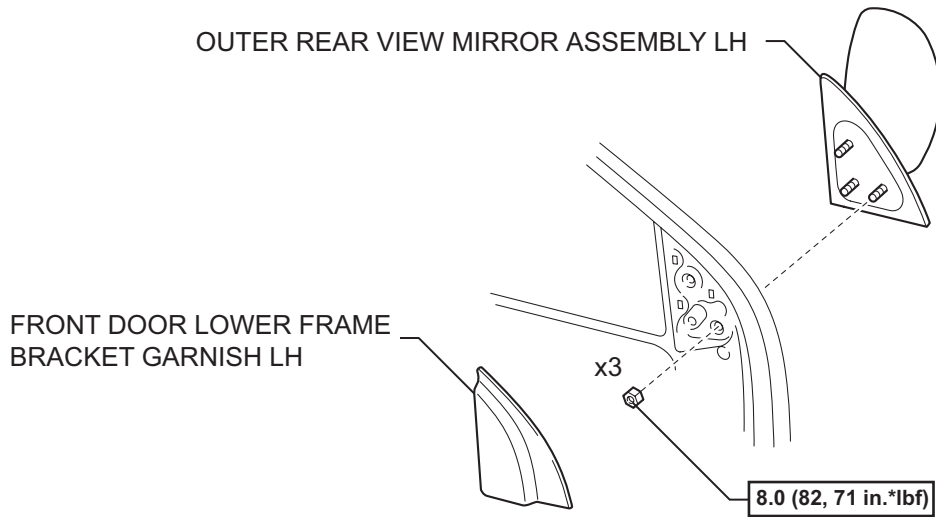


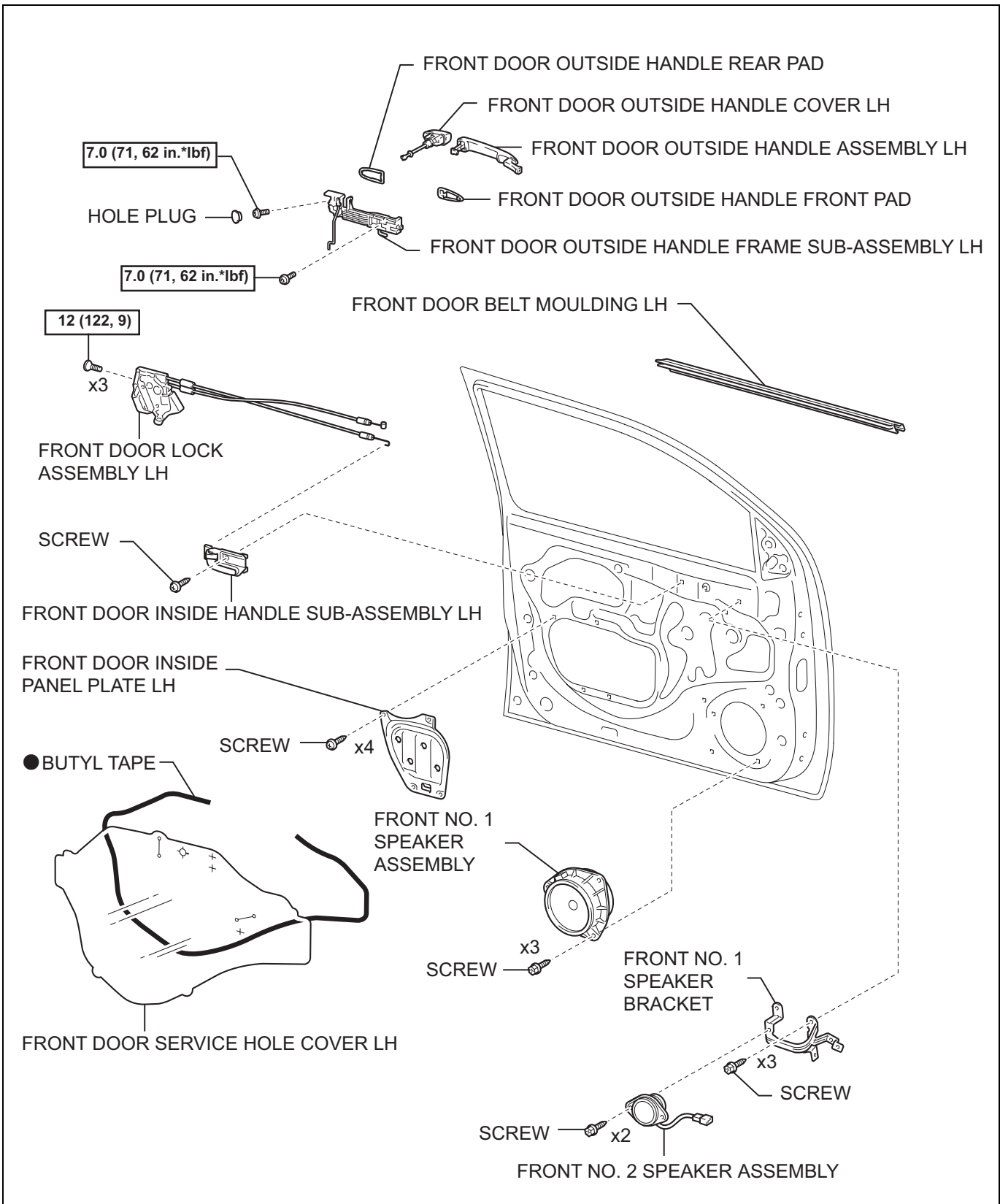
FRONT DOOR (w/o Power Window)

COMPONENTS



[N*m (kgf*cm, ft.*lbf)]; Specified torque

ED



N*m (kgf*cm, ft.*lbf) : Specified torque

● Non-reusable part

ED

