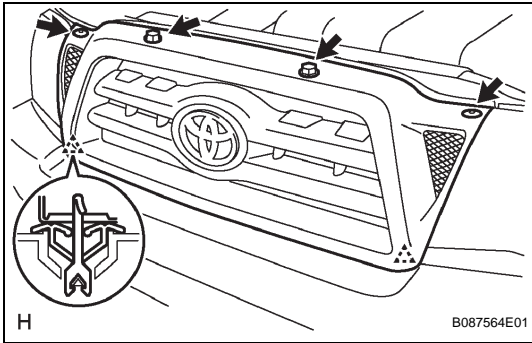


## REMOVAL

### 1. DISCONNECT CABLE FROM NEGATIVE BATTERY TERMINAL

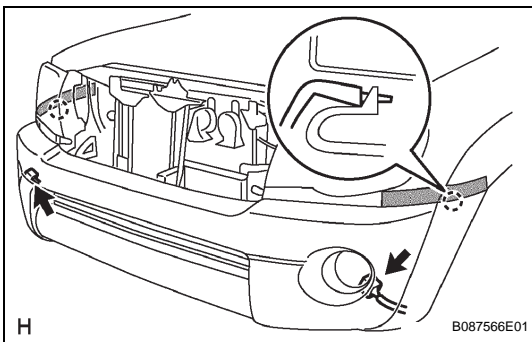
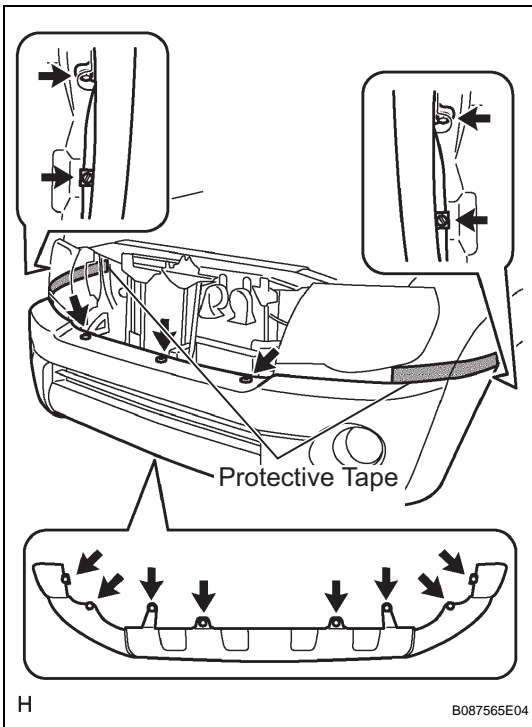
### 2. REMOVE RADIATOR GRILLE

- Remove the 2 screws.
- Using a clip remover, remove the 2 clips.
- Disengage the 2 clips and remove the radiator grille.

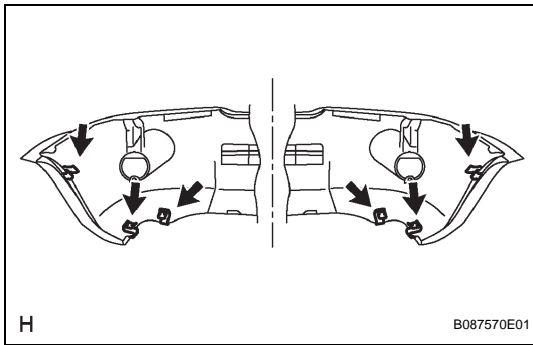


### 3. REMOVE FRONT BUMPER COVER

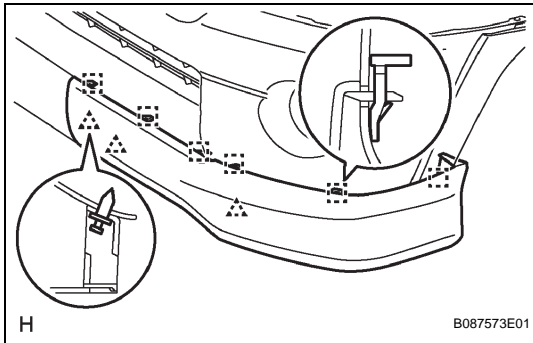
- Apply protective tape to the outer circumference of the front bumper cover, as shown in the illustration.
- Remove the 6 screws.
- Using a clip remover, remove the 7 clips.
- Remove the 2 clips.



- w/ Fog Light:
  - Disconnect the 2 fog light connectors.
- Disengage the 2 claws and remove the front bumper cover.

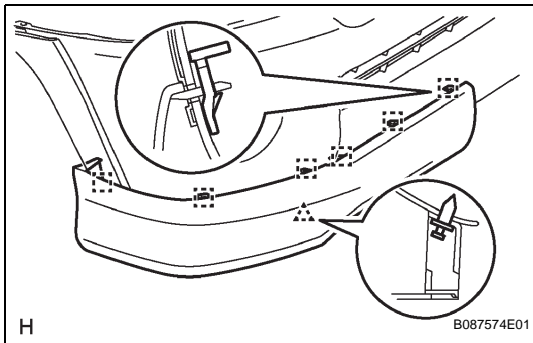


(g) Remove the 6 clips.



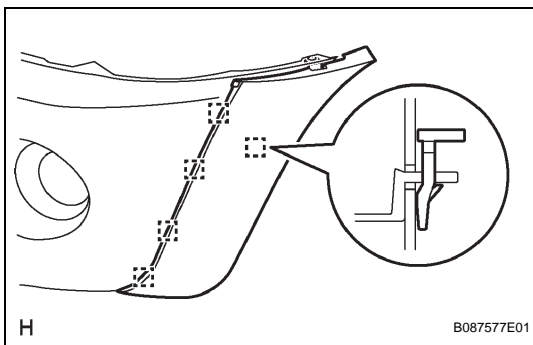
**4. REMOVE FRONT SPOILER COVER LH (for X-Runner)**

- (a) Using a clip remover, remove the 3 clips.
- (b) Remove the 6 retainers and front spoiler cover.



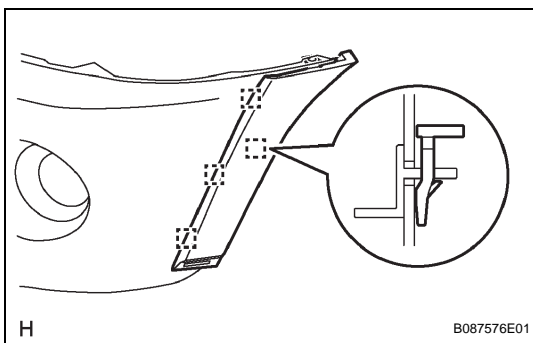
**5. REMOVE FRONT SPOILER COVER RH (for X-Runner)**

- (a) Using a clip remover, remove the clip.
- (b) Remove the 6 retainers and front spoiler cover.



**6. REMOVE FRONT BUMPER EXTENSION LH**

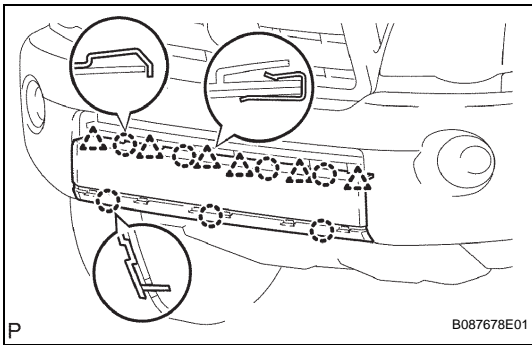
- (a) for 4WD and Pre Runner:
  - (1) Remove the 5 retainers and front bumper extension.



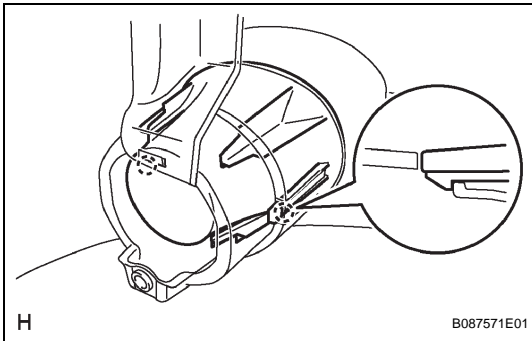
- (b) for X-Runner:
  - (1) Remove the 4 retainers and front bumper extension.

**7. REMOVE FRONT BUMPER EXTENSION RH**

**HINT:**  
Follow the same procedures as for the front bumper extension LH.

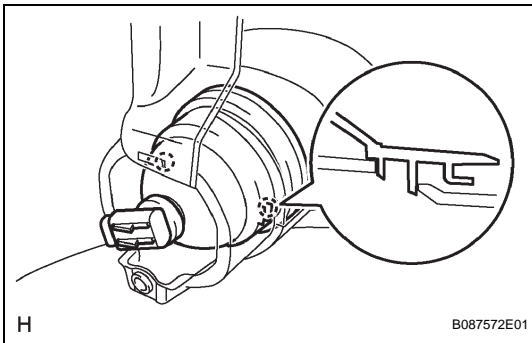


- 8. REMOVE FRONT SPOILER CENTER COVER (for X-Runner)**
- Remove the 6 retainers.
  - Disengage the 7 claws and remove the front spoiler center cover.



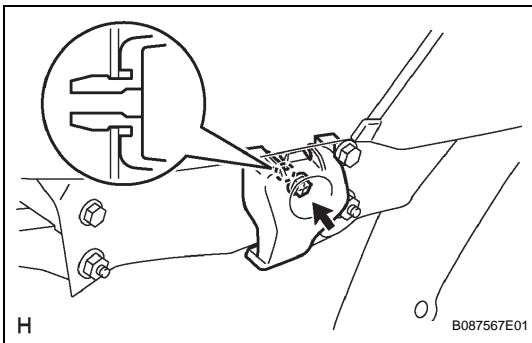
- 9. REMOVE FRONT BUMPER HOLE COVER LH (w/o Fog Light)**
- Disengage the 2 claws and remove the front bumper hole cover.

- 10. REMOVE FRONT BUMPER HOLE COVER RH (w/o Fog Light)**
- HINT:  
Follow the same procedures as for the front bumper hole cover LH.

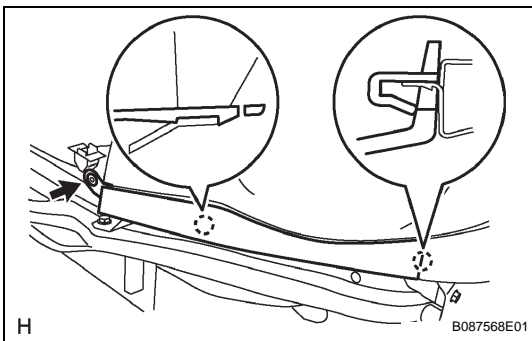


- 11. REMOVE FOG LIGHT ASSEMBLY LH (w/ Fog Light)**
- Disengage the 2 claws and remove the fog light.

- 12. REMOVE FOG LIGHT ASSEMBLY RH (w/ Fog Light)**
- HINT:  
Follow the same procedures as for the fog light LH.



- 13. REMOVE FRONT BUMPER SIDE SUPPORT**
- HINT:  
Follow the same procedures as for the opposite side.
- Remove the screw.
  - Disengage the claw and remove the front bumper side support.



- 14. REMOVE FRONT BUMPER FILLER LH**
- Using a clip remover, remove the clip
  - Disengage the 2 claws and remove the front bumper filler.

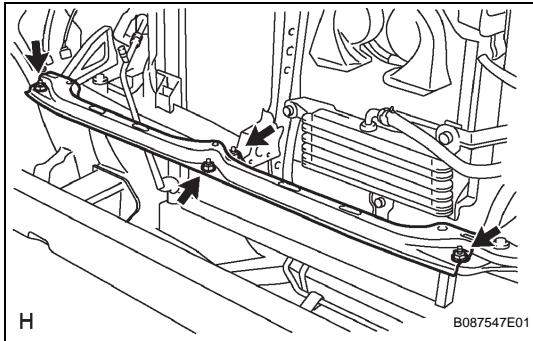
- 15. REMOVE FRONT BUMPER FILLER RH**
- HINT:  
Follow the same procedures as for the front bumper filler LH.

- 16. REMOVE HEADLIGHT ASSEMBLY LH (See page [LI-4](#))**

**17. REMOVE HEADLIGHT ASSEMBLY RH**

HINT:

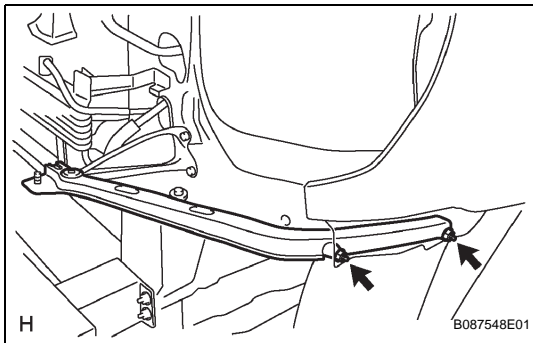
Follow the same procedures as for the headlight LH.

**18. REMOVE FRONT BUMPER UPPER CENTER RETAINER**

- (a) Remove the 4 nuts and front bumper upper center retainer.

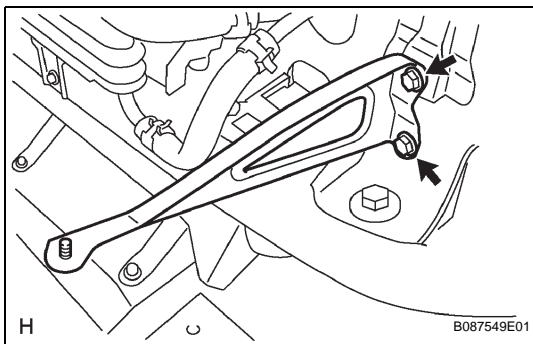
**19. REMOVE FRONT BUMPER REINFORCEMENT EXTENSION LH**

- (a) Remove the 2 nuts and front bumper reinforcement extension.

**20. REMOVE FRONT BUMPER REINFORCEMENT EXTENSION RH**

HINT:

Follow the same procedures as for the front bumper reinforcement extension LH.

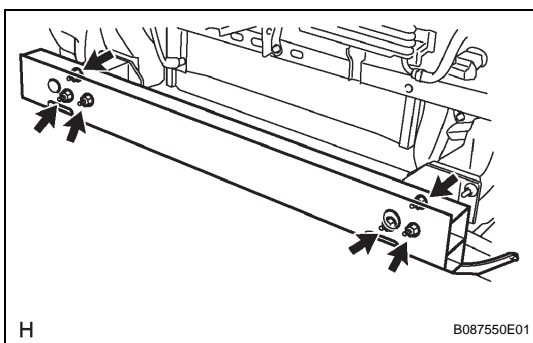
**21. REMOVE FRONT BUMPER ARM MOUNTING BRACKET LH**

- (a) Remove the 2 bolts and front bumper arm mounting bracket.

**22. REMOVE FRONT BUMPER ARM MOUNTING BRACKET RH**

HINT:

Follow the same procedures as for the front bumper arm mounting bracket LH.

**23. REMOVE FRONT BUMPER REINFORCEMENT SUB-ASSEMBLY**

- (a) Remove the 6 nuts and front bumper reinforcement.