

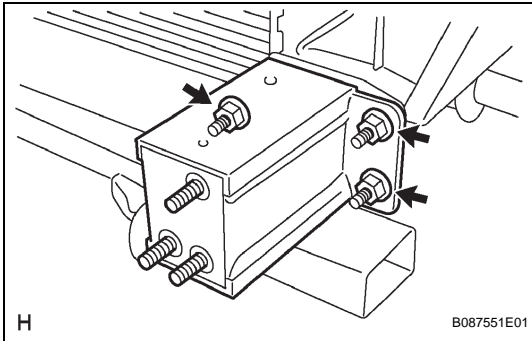
24. REMOVE FRONT BUMPER EXTENSION SUB-ASSEMBLY LH

(a) Remove the 3 nuts and front bumper extension.

25. REMOVE FRONT BUMPER EXTENSION SUB-ASSEMBLY RH

HINT:

Follow the same procedures as for the front bumper extension LH.



INSTALLATION

1. INSTALL FRONT BUMPER EXTENSION SUB-ASSEMBLY LH

(a) Install the front bumper extension with the 3 nuts.
Torque: 58 N*m (590 kgf*cm, 43 ft.*lbf)

2. INSTALL FRONT BUMPER EXTENSION SUB-ASSEMBLY RH

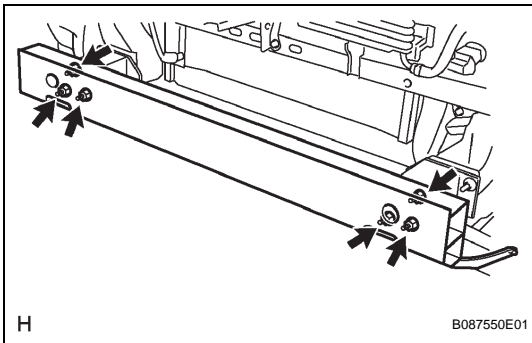
HINT:

Follow the same procedures as for the front bumper extension LH.

3. INSTALL FRONT BUMPER REINFORCEMENT SUB-ASSEMBLY

(a) Install the front bumper reinforcement with the 6 nuts.

Torque: 58 N*m (590 kgf*cm, 43 ft.*lbf)



4. INSTALL FRONT BUMPER ARM MOUNTING BRACKET LH

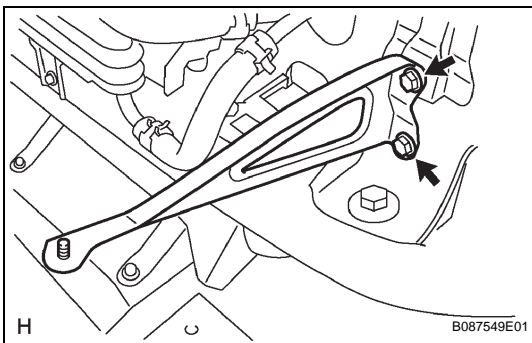
(a) Install the front bumper arm mounting bracket with the 2 bolts.

Torque: 13 N*m (135 kgf*cm, 10 ft.*lbf)

5. INSTALL FRONT BUMPER ARM MOUNTING BRACKET RH

HINT:

Follow the same procedures as for the front bumper arm mounting bracket LH.



6. INSTALL FRONT BUMPER REINFORCEMENT EXTENSION LH

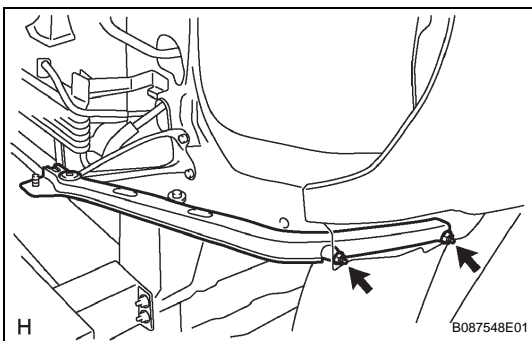
(a) Install the front bumper reinforcement extension with the 2 nuts.

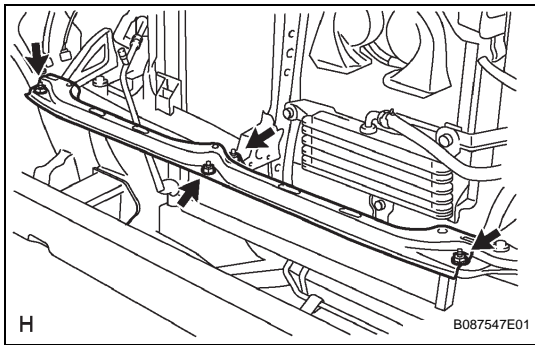
Torque: 13 N*m (135 kgf*cm, 10 ft.*lbf)

7. INSTALL FRONT BUMPER REINFORCEMENT EXTENSION RH

HINT:

Follow the same procedures as for the front bumper reinforcement extension.





8. INSTALL FRONT BUMPER UPPER CENTER RETAINER

- (a) Install the front bumper upper center retainer with the 4 nuts.

Torque: 13 N*m (135 kgf*cm, 10 ft.*lbf)

9. INSTALL HEADLIGHT ASSEMBLY LH (See page LI-10)

10. INSTALL HEADLIGHT ASSEMBLY RH

HINT:

Follow the same procedures as for the headlight LH.

11. INSTALL FRONT BUMPER FILLER LH

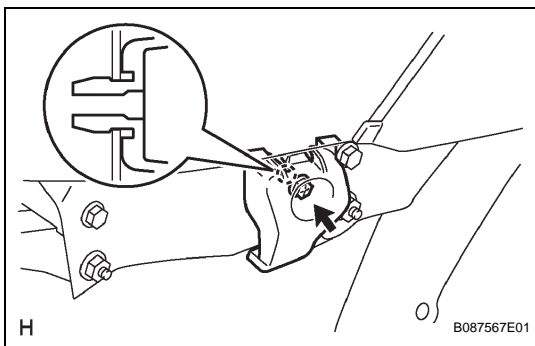
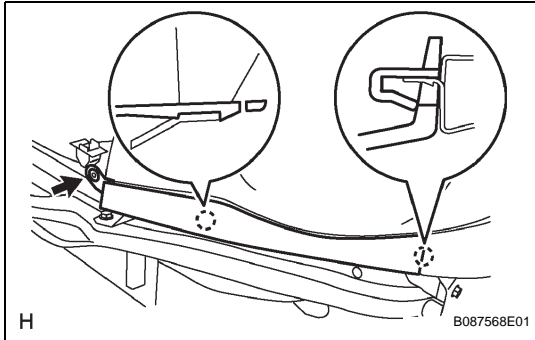
- (a) Engage the 2 claws and install the front bumper filler.

- (b) Install the clip.

12. INSTALL FRONT BUMPER FILLER RH

HINT:

Follow the same procedures as for the front bumper filler LH.



13. INSTALL FRONT BUMPER SIDE SUPPORT

HINT:

Follow the same procedures as for the opposite side.

- (a) Engage the claw and install the front bumper side support.

- (b) Tighten the screw.

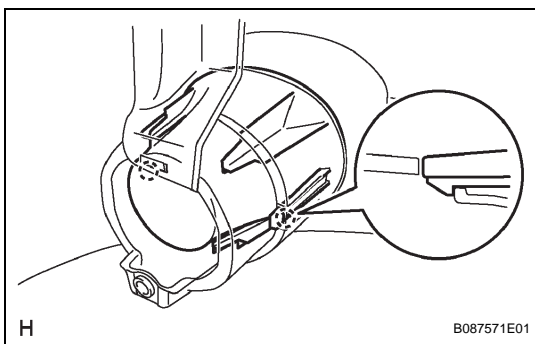
14. INSTALL FRONT BUMPER HOLE COVER LH (w/o Fog Light)

- (a) Engage the 2 claws and install the front bumper hole cover.

15. INSTALL FRONT BUMPER HOLE COVER RH (w/o Fog Light)

HINT:

Follow the same procedures as for the front bumper hole cover LH.



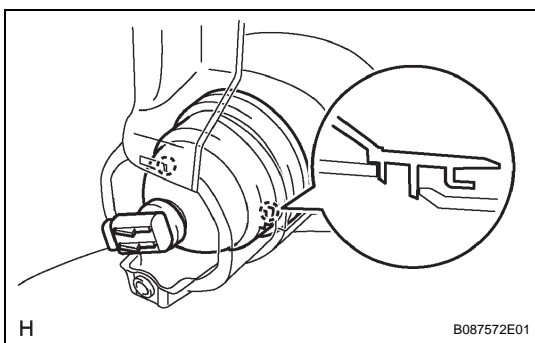
16. INSTALL FOG LIGHT ASSEMBLY LH (w/ Fog Light)

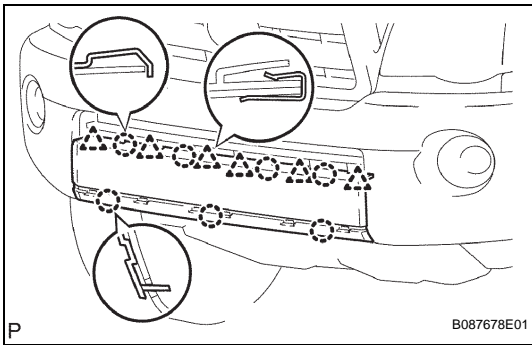
- (a) Engage the 2 claws and install the fog light.

17. INSTALL FOG LIGHT ASSEMBLY RH (w/ Fog Light)

HINT:

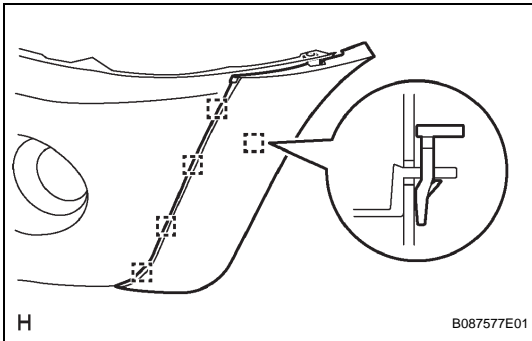
Follow the same procedures as for the fog light LH.





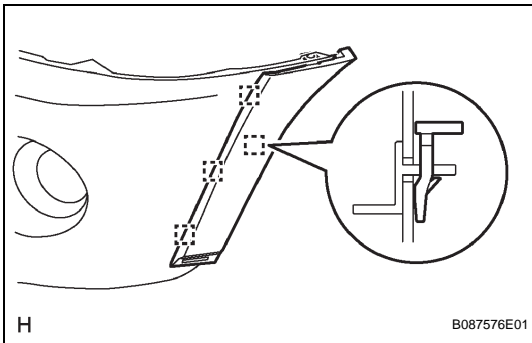
18. INSTALL FRONT SPOILER CENTER COVER (for X-Runner)

- (a) Engage the 7 claws and install the front spoiler center cover.
- (b) Install the 6 retainers.



19. INSTALL FRONT BUMPER EXTENSION LH

- (a) for 4WD and Pre Runner:
 - (1) Install the front bumper extension with the 5 retainers.

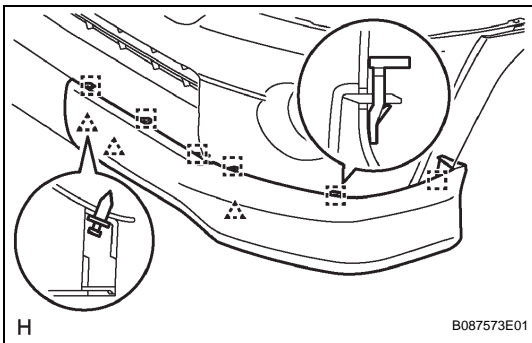


- (b) for X-Runner:
 - (1) Install the front bumper extension with the 4 retainers.

20. INSTALL FRONT BUMPER EXTENSION RH

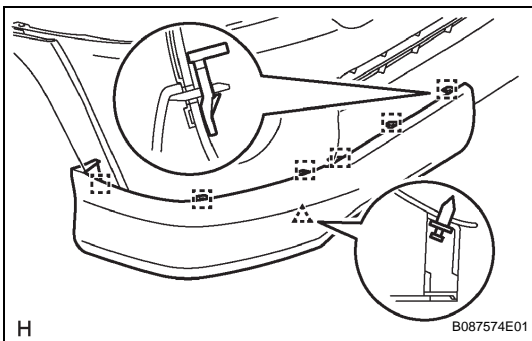
HINT:

Follow the same procedures as for the front bumper extension LH.



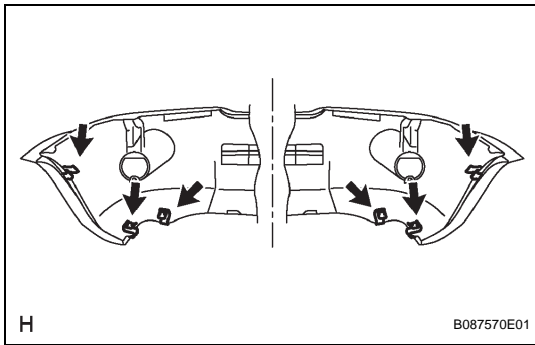
21. INSTALL FRONT SPOILER COVER LH (for X-Runner)

- (a) Install the front spoiler cover with the 6 retainers.
- (b) Install the 3 clips.



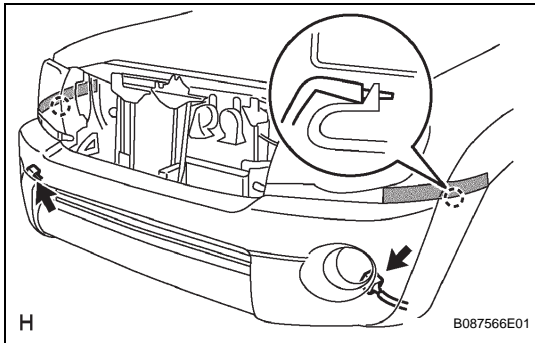
22. INSTALL FRONT SPOILER COVER RH (for X-Runner)

- (a) Install the front spoiler cover with the 6 retainers.
- (b) Install the clip.

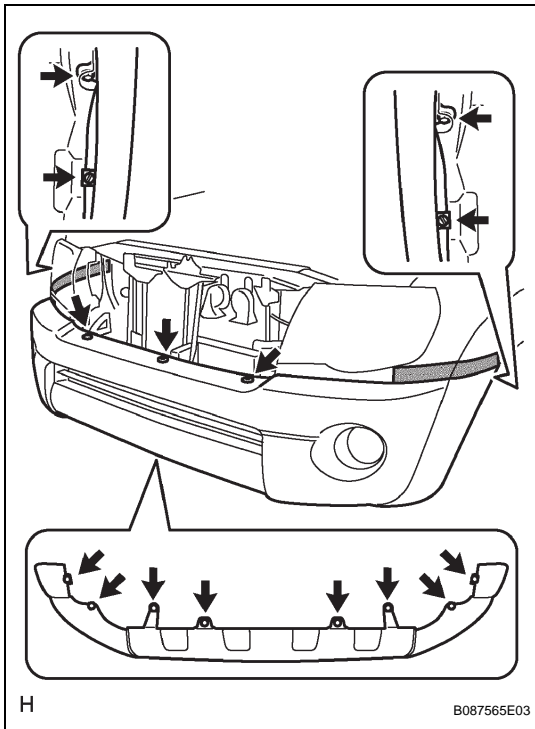


23. INSTALL FRONT BUMPER COVER

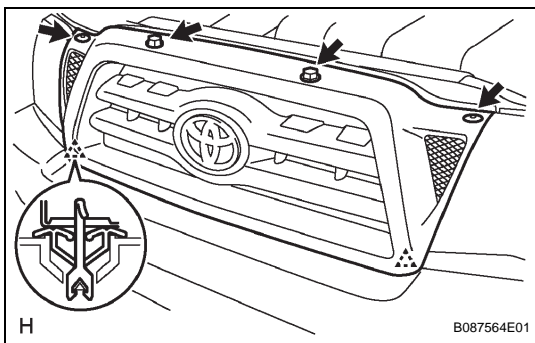
(a) Install the 6 clips.



(b) Engage the 2 claws and install the front bumper cover.
 (c) Connect the 2 fog lamp connectors (w/ fog lamp).



(d) Install the 9 clips.
 (e) Tighten the 6 screws.



24. INSTALL RADIATOR GRILLE

(a) Engage the 2 clips and install the radiator grille.
 (b) Install the 2 clips.
 (c) Tighten the 2 screws.

25. CONNECT CABLE TO NEGATIVE BATTERY TERMINAL

Torque: 3.9 N*m (40 kgf*cm, 35 in.*lbf)

26. PREPARE VEHICLE FOR HEADLIGHT AIMING ADJUSTMENT (See page [LI-5](#))

27. **PREPARE FOR HEADLIGHT AIMING (for Using a Tester) (See page [LI-5](#))**
28. **PREPARE FOR HEADLIGHT AIMING (for Using a Screen) (See page [LI-5](#))**
29. **INSPECT HEADLIGHT AIMING (See page [LI-7](#))**
30. **ADJUST HEADLIGHT AIMING (See page [LI-9](#))**
31. **PREPARE VEHICLE FOR FOG LIGHT AIMING ADJUSTMENT (See page [LI-14](#))**
32. **PREPARE FOR FOG LIGHT AIMING (See page [LI-14](#))**
33. **INSPECT FOG LIGHT AIMING (See page [LI-16](#))**
34. **ADJUST FOG LIGHT AIMING (See page [LI-17](#))**