

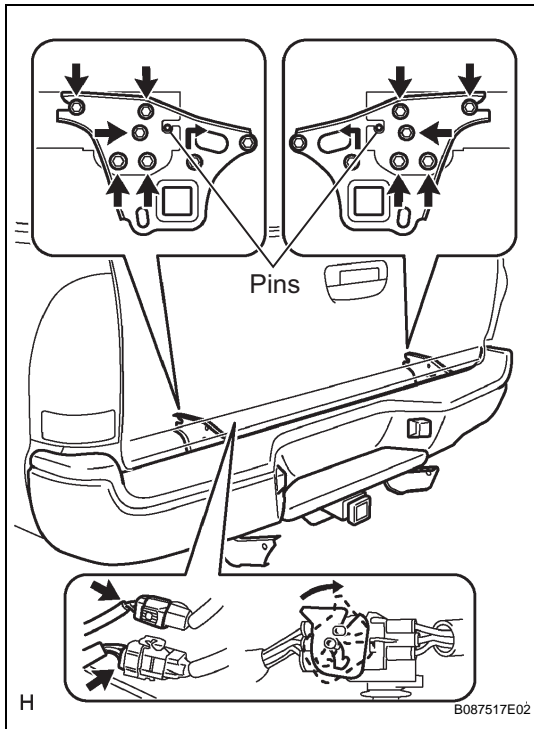
## REMOVAL

### 1. DISCONNECT CABLE FROM NEGATIVE BATTERY TERMINAL

### 2. REMOVE REAR BUMPER BAR

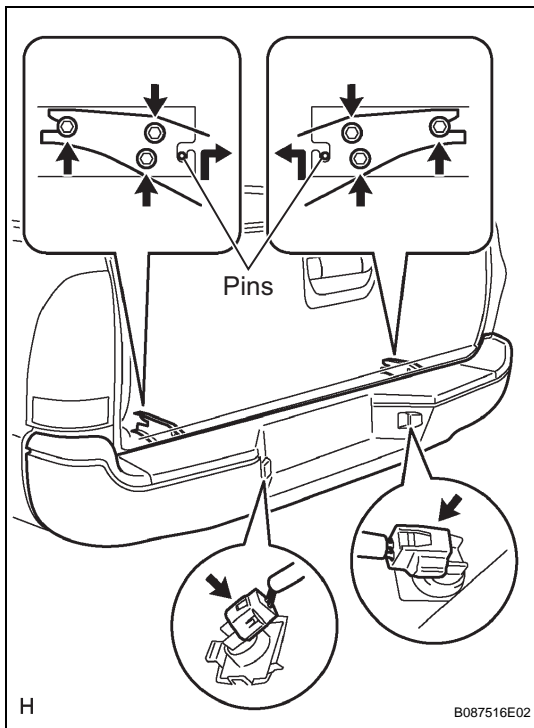
#### (a) w/ Towing hitch:

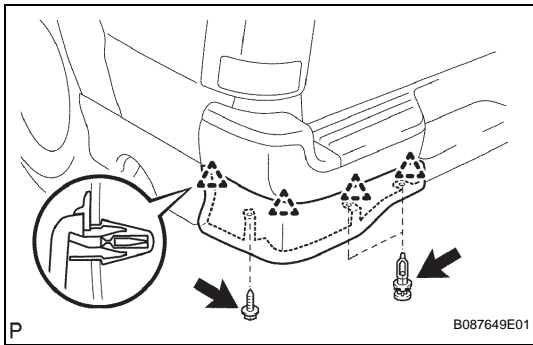
- (1) Disconnect the 2 No. 3 wire frame connectors.
- (2) Loosen 2 bolts A.
- (3) Remove the 8 bolts.
- (4) Disengage the 2 pins and remove the rear bumper bar.



#### (b) w/o Towing hitch:

- (1) Disconnect the 2 license lamp connectors.
- (2) Loosen the 2 bolts.
- (3) Remove the 4 bolts.
- (4) Disengage the 2 pins and remove the rear bumper bar.





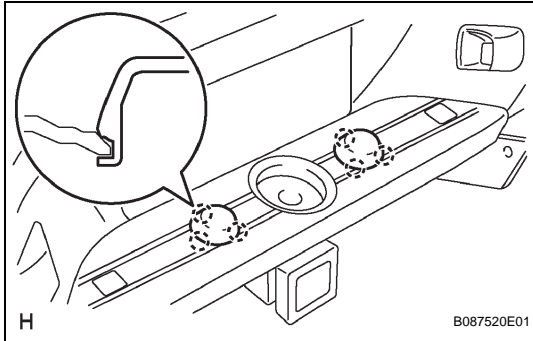
### 3. REMOVE REAR BUMPER SPOILER LH (for X-Runner)

- (a) Using a clip remover, remove the 2 clips.
- (b) Remove the screw.
- (c) Disengage the 4 clips and remove the rear bumper spoiler.

### 4. REMOVE REAR BUMPER SPOILER RH (for X-Runner)

HINT:

Follow the same procedures as for the rear bumper spoiler LH.



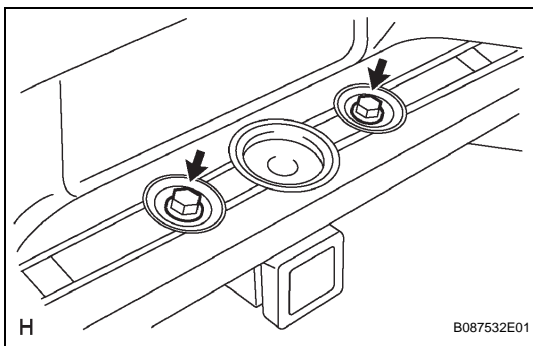
### 5. REMOVE REAR BUMPER COVER

- (a) w/ Towing Hitch:

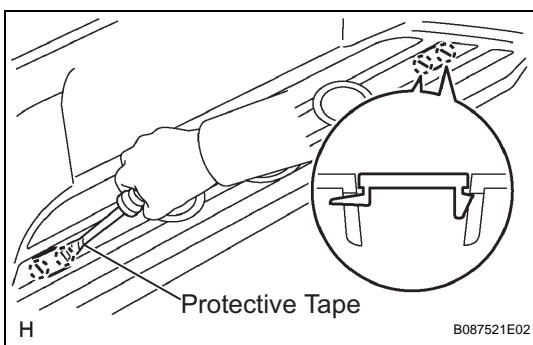
- (1) Disengage the 3 claws and remove the receiver hitch cap.

HINT:

Follow the same procedures as for the opposite side.



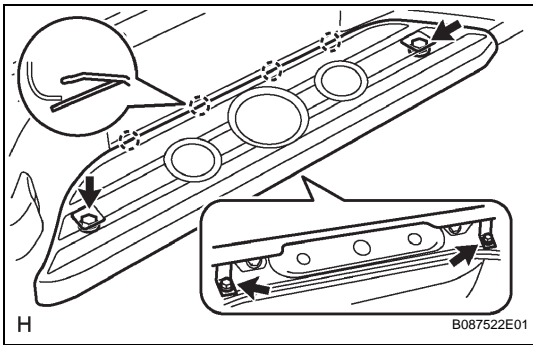
- (2) Remove the 2 bolts.
- (3) Remove the hitch ball.



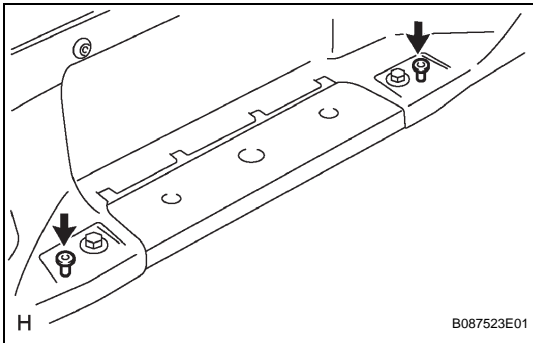
- (b) Using a screwdriver with its tip in protective tape, disengage the 2 claws and remove the rear bumper cover lower.

HINT:

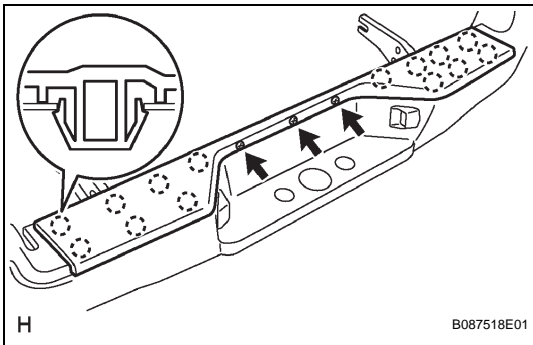
Follow the same procedures as for the opposite side.



- (c) Remove the 4 bolts.
- (d) Disengage the 4 claws and remove the rear bumper cover.

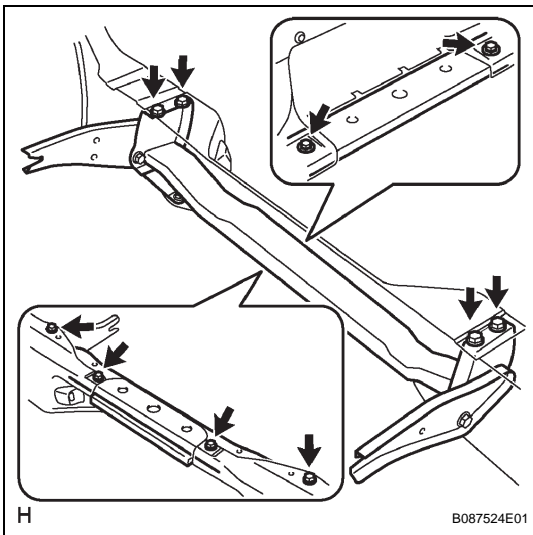


- (e) Remove the 2 nuts from the rear bumper bar.



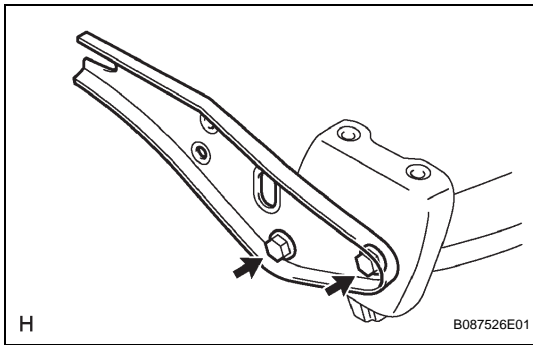
#### 6. REMOVE REAR BUMPER PLATE

- (a) Remove the 3 clips.
- (b) Disengage the 14 claws and remove the rear bumper plate.



#### 7. REMOVE REAR BUMPER BAR REINFORCEMENT SUB-ASSEMBLY (w/o Towing Hitch)

- (a) Remove the 10 bolts and rear bumper bar reinforcement.



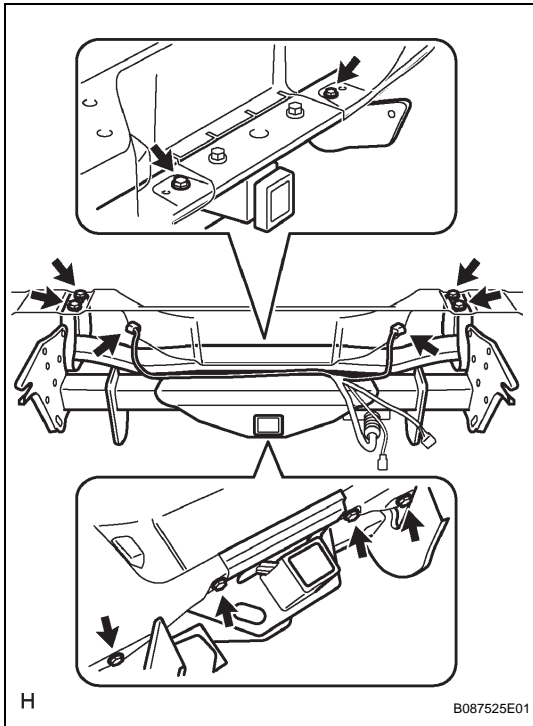
**8. REMOVE REAR BUMPER ARM SUB-ASSEMBLY LH (w/o Towing Hitch)**

(a) Remove the 2 bolts and rear bumper arm.

**9. REMOVE REAR BUMPER ARM SUB-ASSEMBLY RH (w/o Towing Hitch)**

HINT:

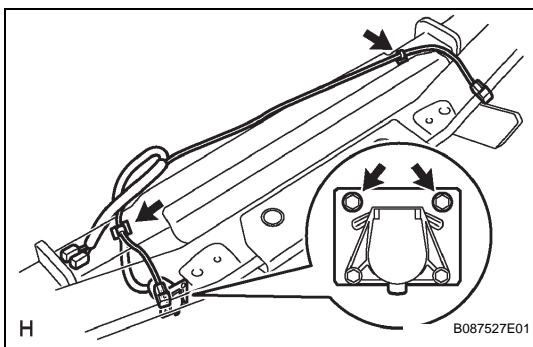
Follow the same procedures as for the rear bumper arm LH.



**10. REMOVE RECEIVER HITCH BRACKET SUB-ASSEMBLY (w/ Towing Hitch)**

(a) Disconnect the 2 license light connectors.

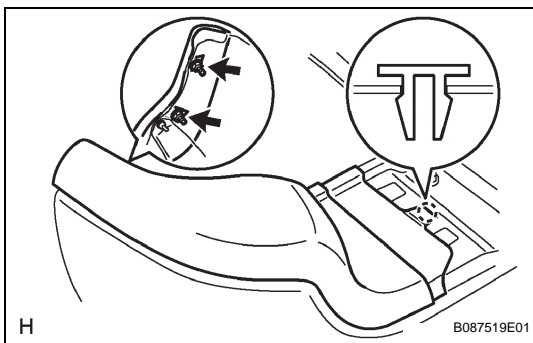
(b) Remove the 10 bolts and receiver hitch bracket.



**11. REMOVE NO. 3 FRAME WIRE (w/ Towing Hitch)**

(a) Using a clip remover, remove the 2 wire harness clamps.

(b) Remove the 2 bolts and No. 3 frame wire.



**12. REMOVE REAR BUMPER PLATE LH**

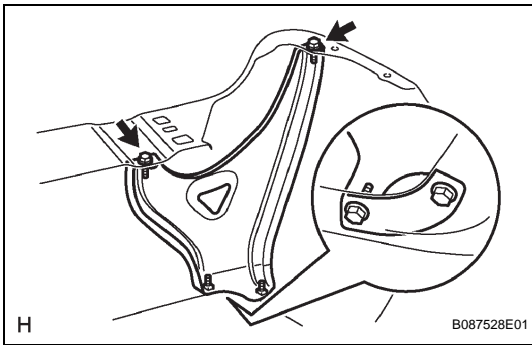
(a) Remove the 2 nuts.

(b) Disengage the claw and remove the rear bumper plate.

**13. REMOVE REAR BUMPER PLATE RH**

HINT:

Follow the same procedures as for the rear bumper plate LH.



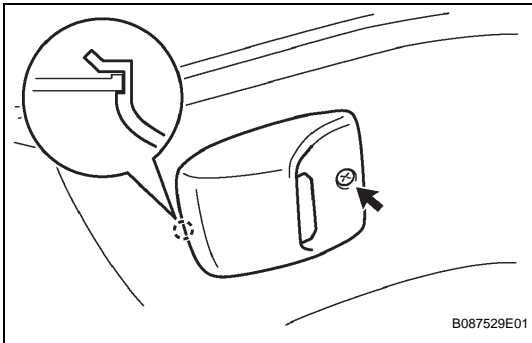
#### 14. REMOVE REAR BUMPER BAR CORNER REINFORCEMENT LH

- (a) Remove the 4 bolts and rear bumper bar corner reinforcement.

#### 15. REMOVE REAR BUMPER BAR CORNER REINFORCEMENT RH

HINT:

Follow the same procedures as for the rear bumper bar corner reinforcement LH.

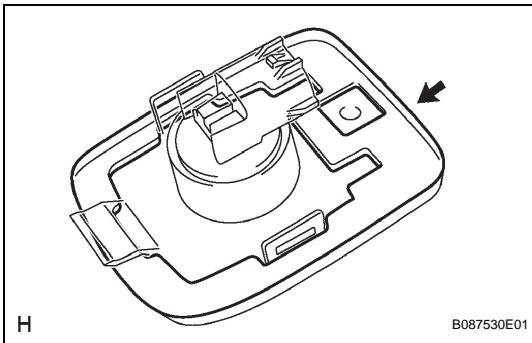


#### 16. REMOVE LICENSE PLATE LIGHT ASSEMBLY

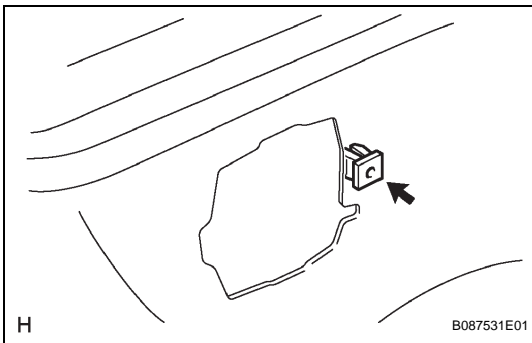
HINT:

Follow the same procedures as for the opposite side.

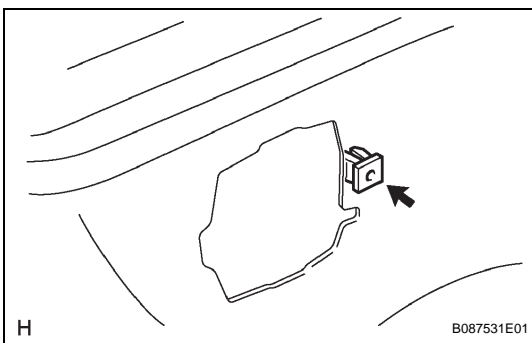
- (a) Remove the screw.  
 (b) Disengage the claw and remove the license plate light.



- (c) Remove the bumper moulding mounting plate from the license plate light.



- (d) Remove the nut from the rear bumper bar.



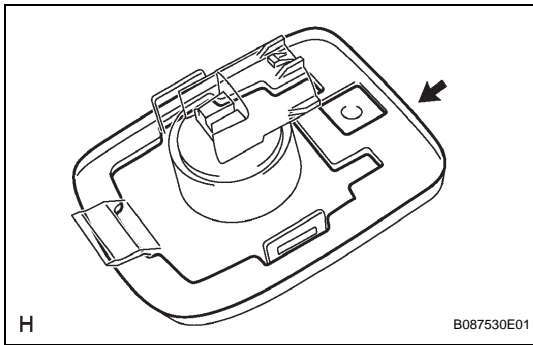
## INSTALLATION

### 1. INSTALL LICENSE PLATE LIGHT ASSEMBLY

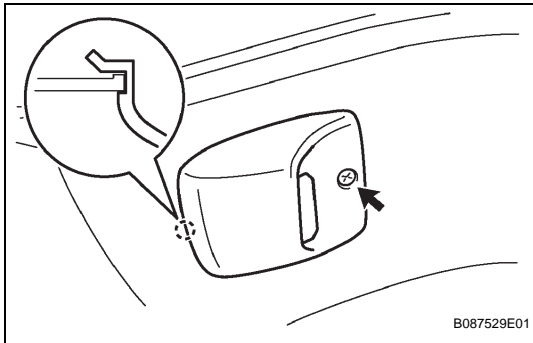
HINT:

Follow the same procedures as for the opposite side.

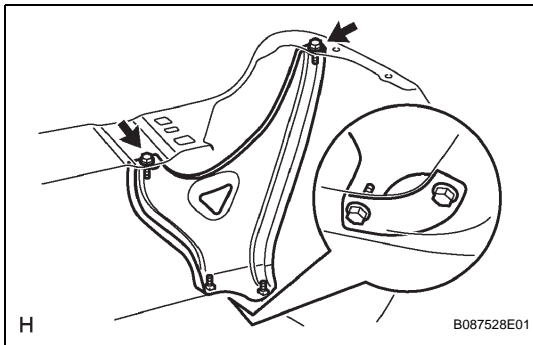
- (a) Install the nut into the rear bumper bar.



- (b) Install the bumper moulding mounting plate onto the license plate light.



- (c) Engage the claw and install the license plate light.  
(d) Install the screw.



## 2. INSTALL REAR BUMPER BAR CORNER REINFORCEMENT LH

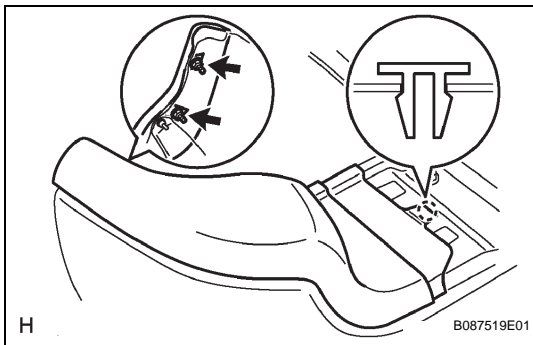
- (a) Install the rear bumper bar corner reinforcement with 4 bolts.

**Torque: 19 N\*m (195 kgf\*cm, 14 ft.\*lbf)**

## 3. INSTALL REAR BUMPER BAR CORNER REINFORCEMENT RH

HINT:

Follow the same procedures as for the rear bumper bar corner reinforcement LH.



## 4. INSTALL REAR BUMPER PLATE LH

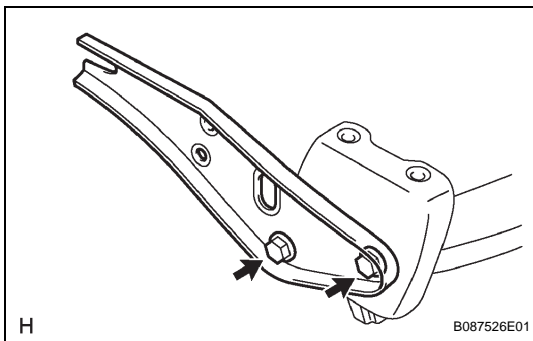
- (a) Engage the claw and install the bumper plate.  
(b) Install the 2 nuts.

**Torque: 7.0 N\*m (70 kgf\*cm, 62 in.\*lbf)**

## 5. INSTALL REAR BUMPER PLATE RH

HINT:

Follow the same procedures as for the rear bumper plate LH.



## 6. INSTALL REAR BUMPER ARM SUB-ASSEMBLY LH (w/o Towing Hitch)

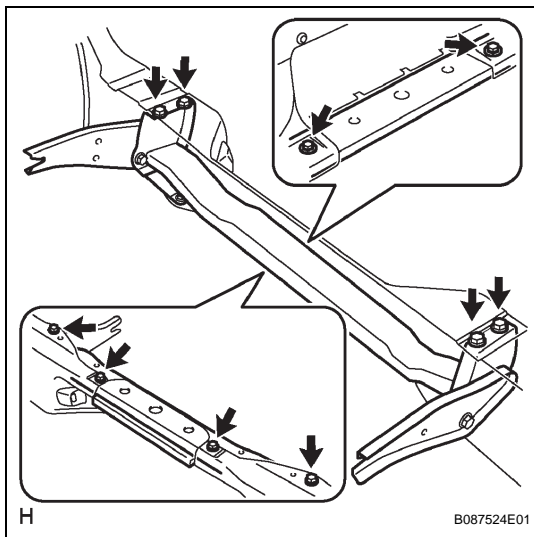
- (a) Install the rear bumper arm with the 2 bolts..

**Torque: 19 N\*m (195 kgf\*cm, 14 ft.\*lbf)**

## 7. INSTALL REAR BUMPER ARM SUB-ASSEMBLY RH (w/o Towing Hitch)

HINT:

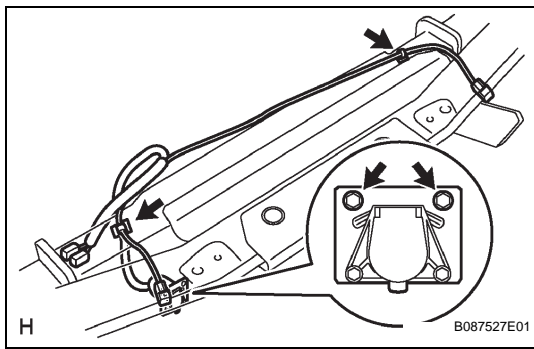
Follow the same procedures as for the rear bumper arm LH.



### 8. INSTALL REAR BUMPER REINFORCEMENT SUB-ASSEMBLY (w/o Towing Hitch)

- (a) Install the rear bumper bar reinforcement with the 10 bolts.

**Torque: 19 N\*m (195 kgf\*cm, 14 ft.\*lbf)**

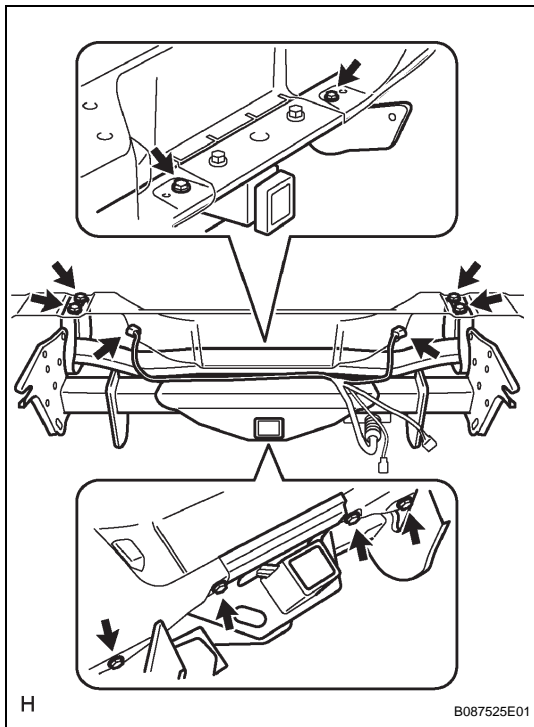


### 9. INSTALL NO. 3 FRAME WIRE (w/ Towing Hitch)

- (a) Install the No. 3 frame wire with the 2 bolts.

**Torque: 19 N\*m (195 kgf\*cm, 14 ft.\*lbf)**

- (b) Install the 2 wire harness clamps.

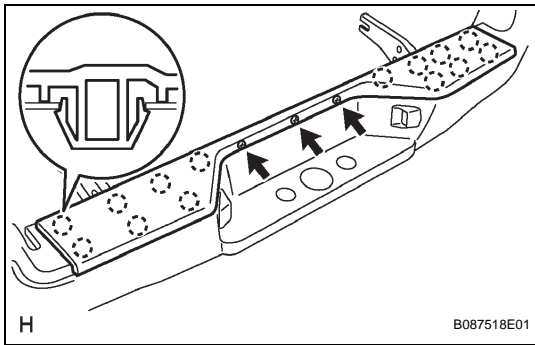


### 10. INSTALL RECEIVER HITCH BRACKET SUB-ASSEMBLY (w/ Towing Hitch)

- (a) Install the receiver hitch bracket with the 10 bolts.

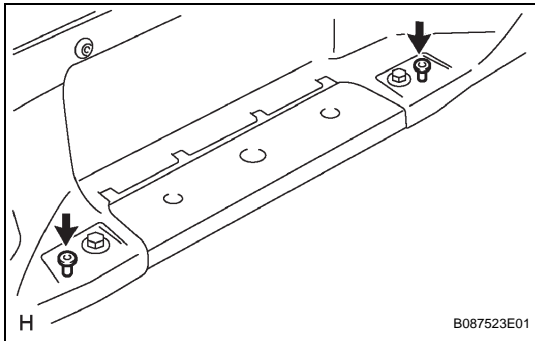
**Torque: 19 N\*m (195 kgf\*cm, 14 ft.\*lbf)**

- (b) Connect the 2 license light connectors.



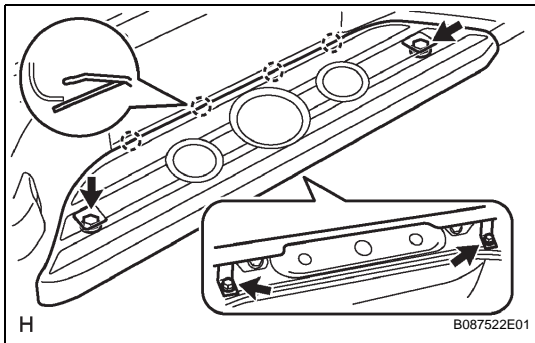
**11. INSTALL REAR BUMPER PLATE**

- (a) Engage the 14 claws and install the rear bumper No. 1 plate.
- (b) Install the 3 clips.

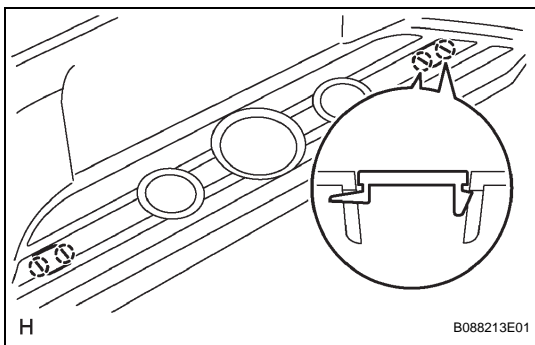


**12. INSTALL REAR BUMPER COVER**

- (a) Install the 2 nuts into the rear bumper bar.



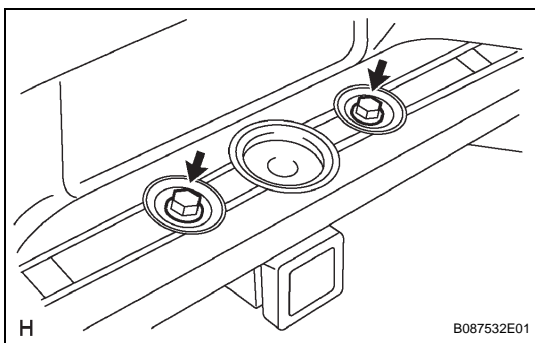
- (b) Engage the 4 claws and install the rear bumper pad center.
- (c) Tighten the 4 bolts.



- (d) Engage the 2 claws and install the rear bumper cover lower.

HINT:

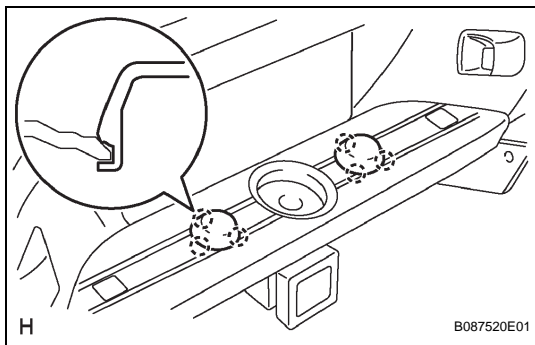
Follow the same procedures as for the opposite side.



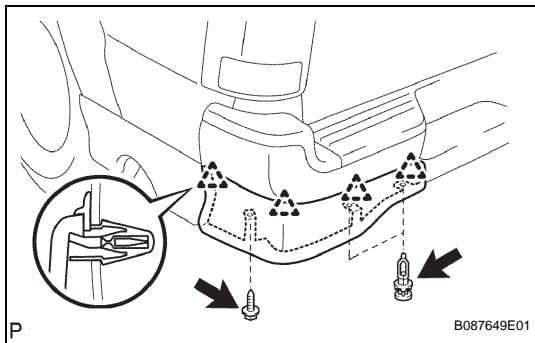
- (e) w/ Towing Hitch:

- (1) Install the hitch ball.
- (2) Tighten the 2 bolts.





- (3) Engage the 3 claws and remove the receiver hitch cap.  
**HINT:**  
 Follow the same procedures as for the opposite side.

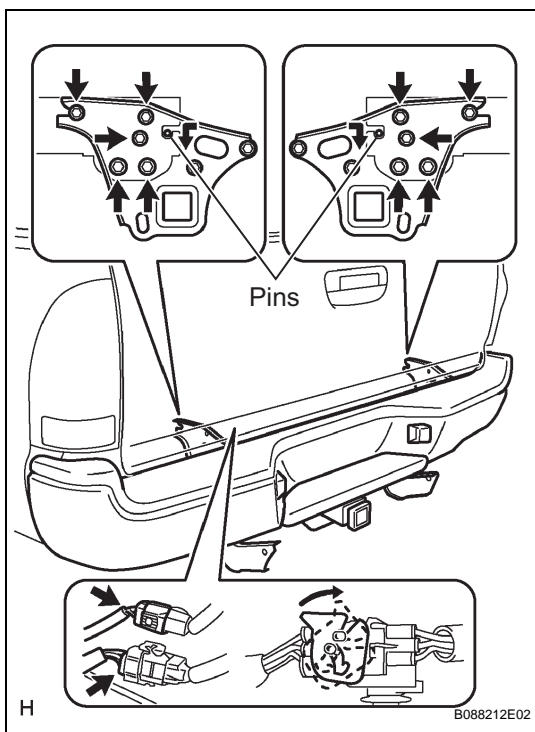


### 13. INSTALL REAR BUMPER SPOILER LH (for X-Runner)

- (a) Engage the 4 clips and install the rear bumper spoiler.  
 (b) Tighten the screw.  
 (c) Install the 2 clips.

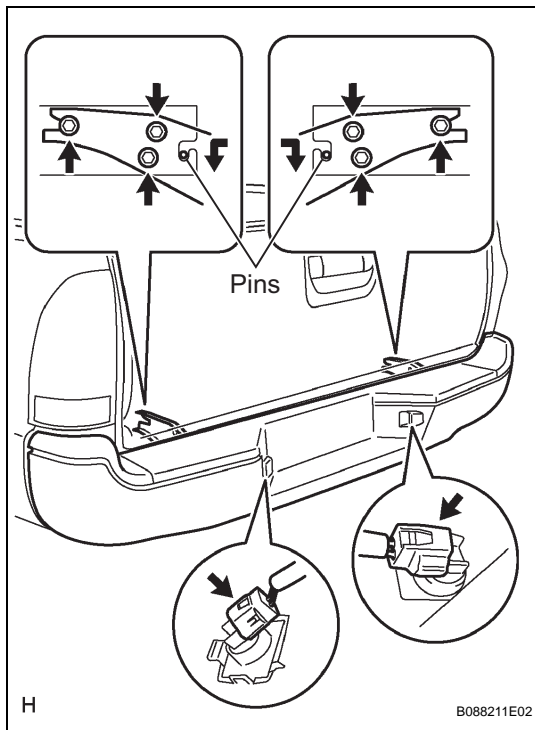
### 14. INSTALL REAR BUMPER SPOILER RH (for X-Runner)

- HINT:**  
 Follow the same procedures as for the rear bumper spoiler LH.



### 15. INSTALL REAR BUMPER BAR

- (a) w/ Towing hitch:  
 (1) Engage the 2 pins and remove the rear bumper bar.  
 (2) Tighten the 8 bolts.  
**Torque: 90 N\*m (920 kgf\*cm, 67 ft.\*lbf)**  
 (3) Connect the 2 No. 3 wire frame connectors.



(b) w/o Towing hitch:

- (1) Engage the 2 pins and install the rear bumper bar.
- (2) Tighten the 6 bolts.  
**Torque: 90 N\*m (920 kgf\*cm, 67 ft.\*lbf)**
- (3) Connect the 2 license lamp connectors.

**16. CONNECT CABLE TO NEGATIVE BATTERY TERMINAL**

**Torque: 3.9 N\*m (40 kgf\*cm, 35 in.\*lbf)**