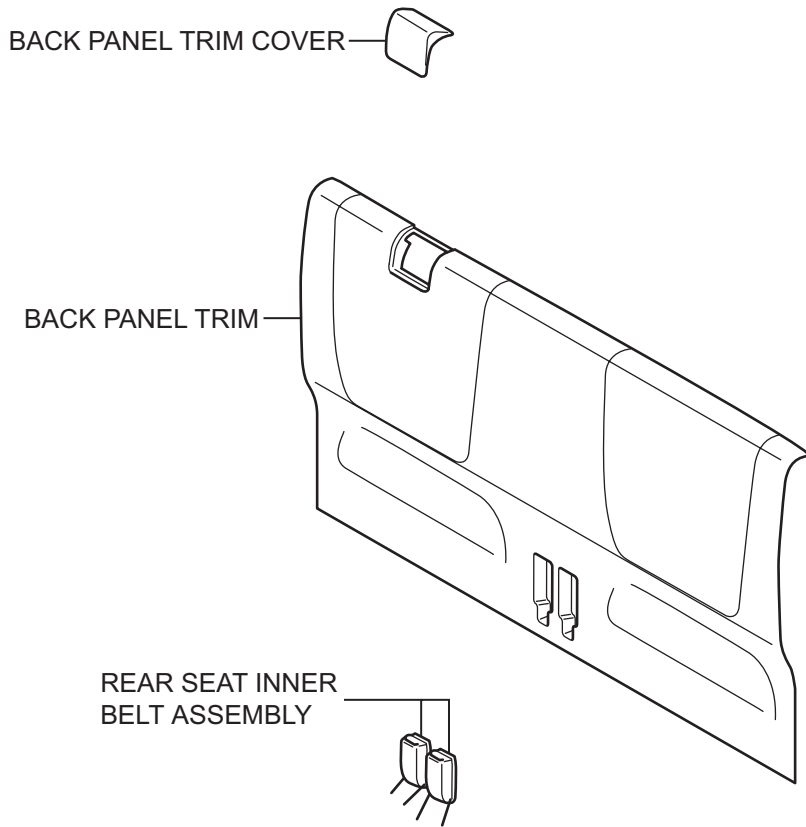
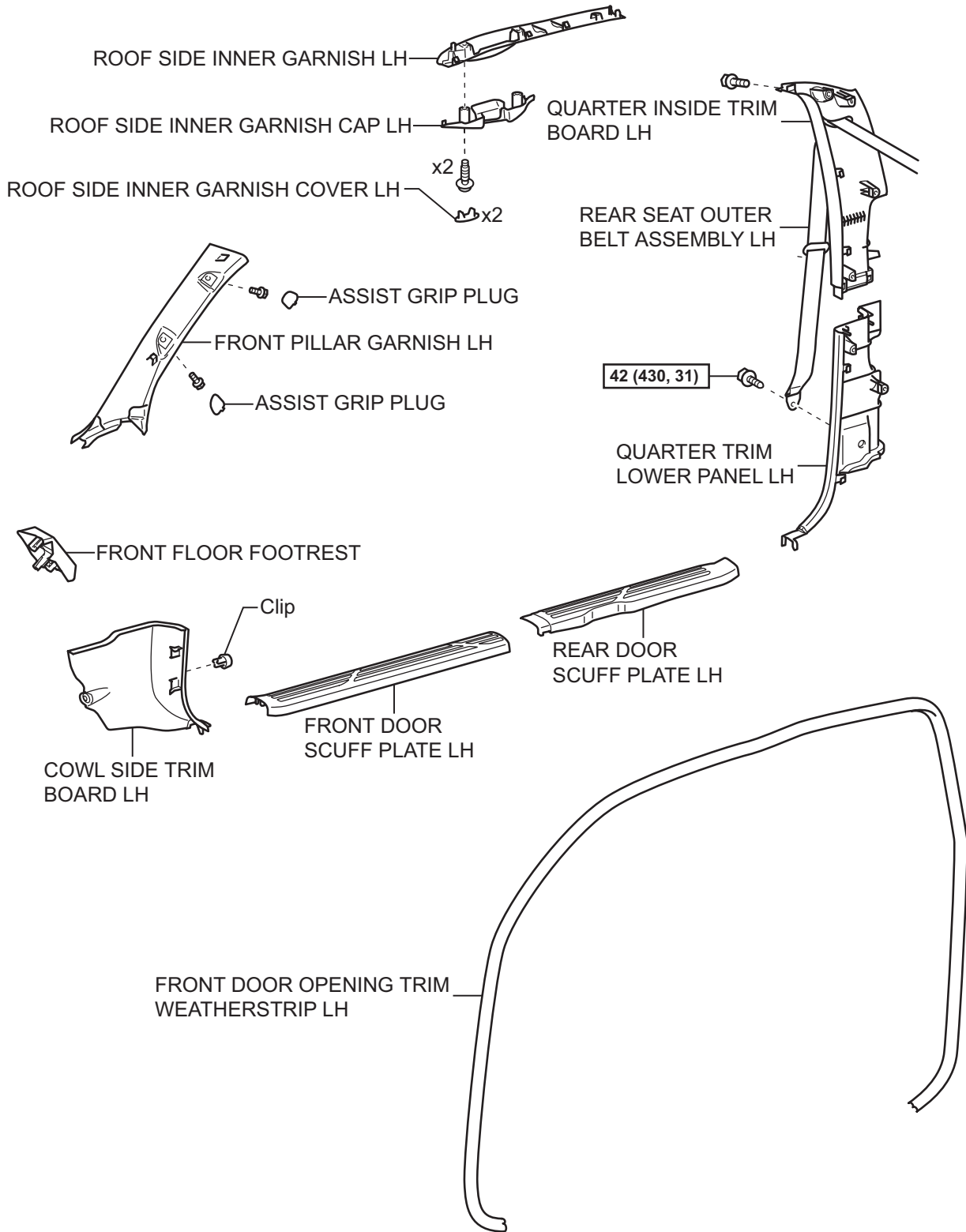


# ROOF HEADLINING (for Access Cab)

## COMPONENTS



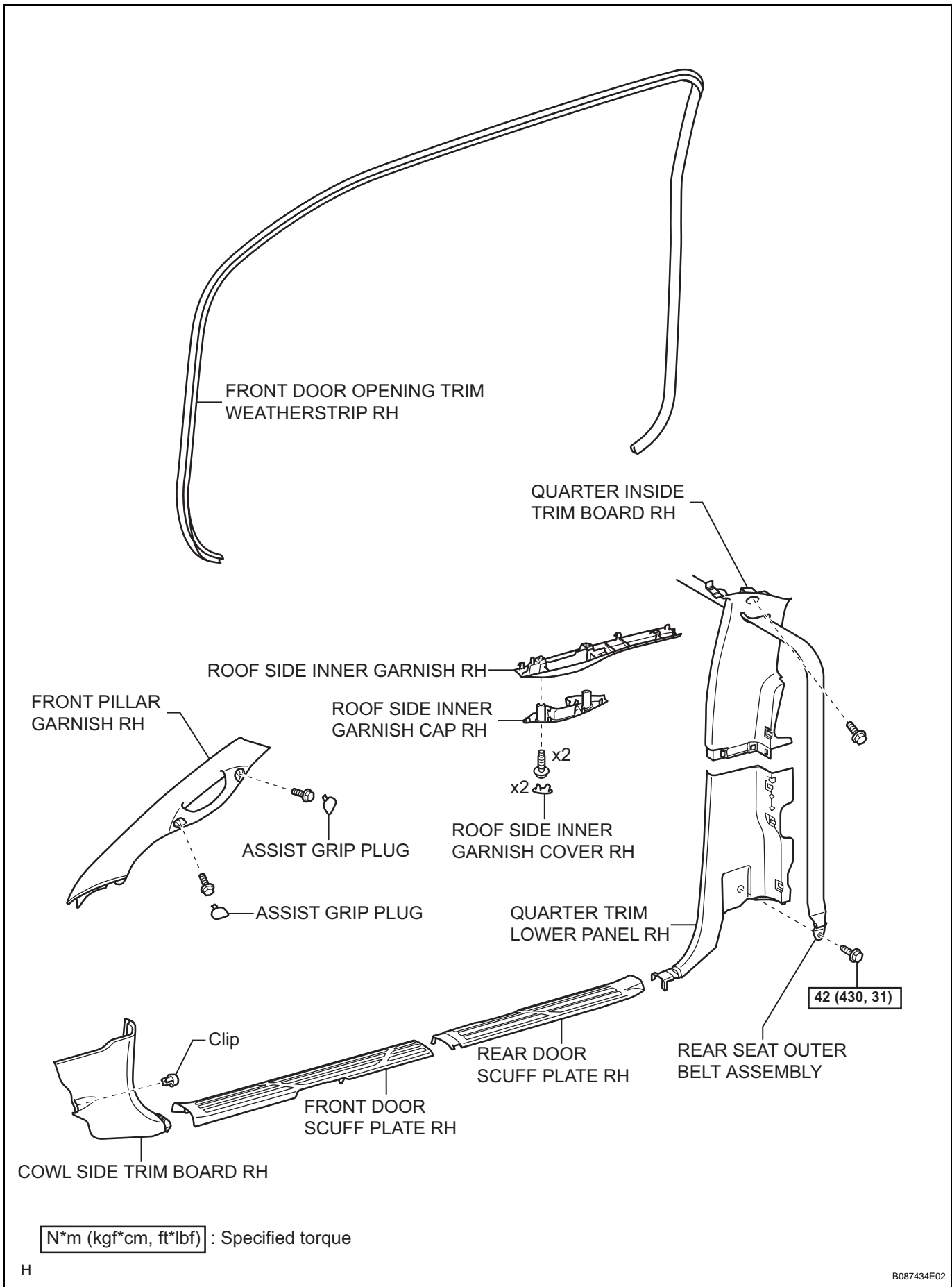
IR

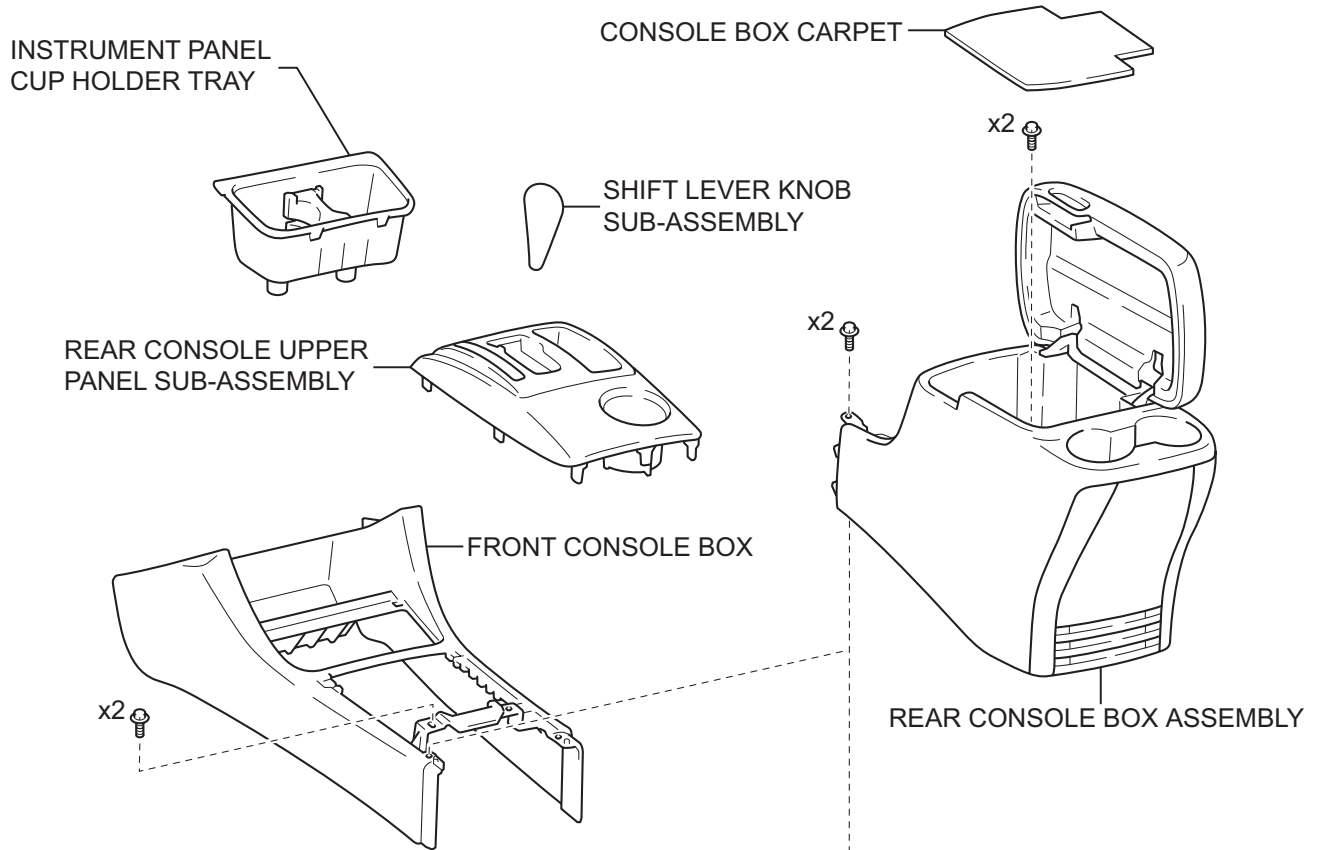


IR

$\boxed{\text{N*m (kgf*cm, ft*lb)}} : \text{Specified torque}$

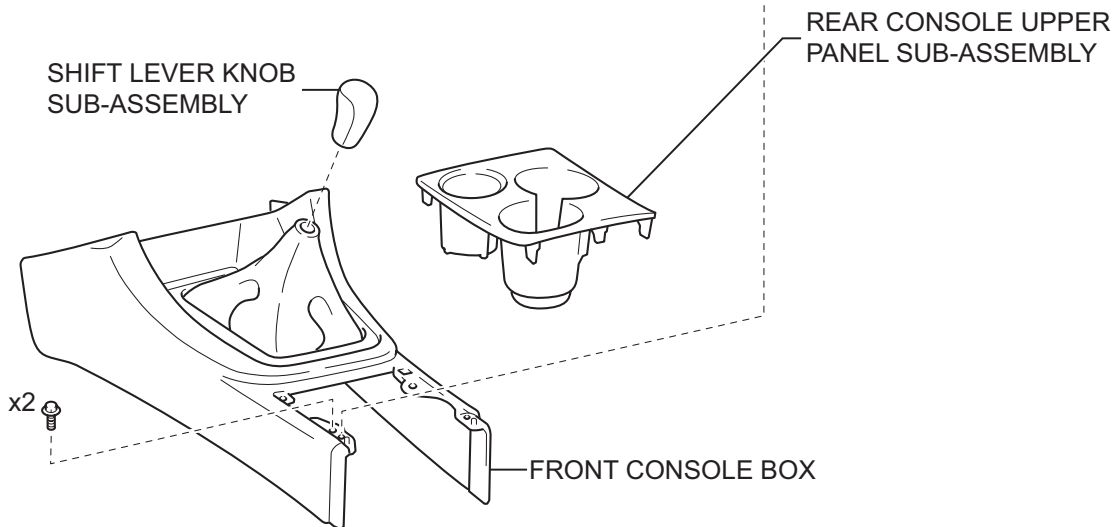
IR

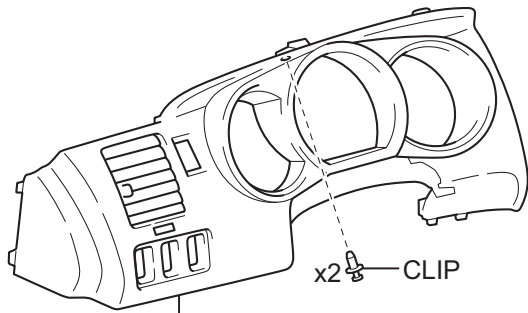
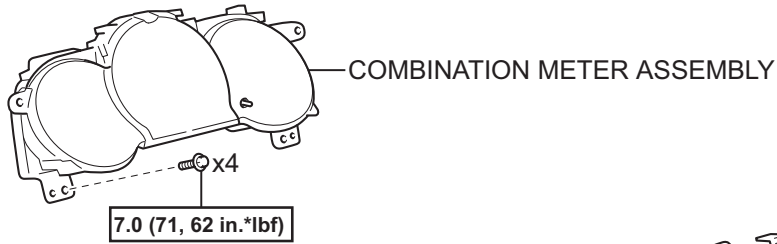




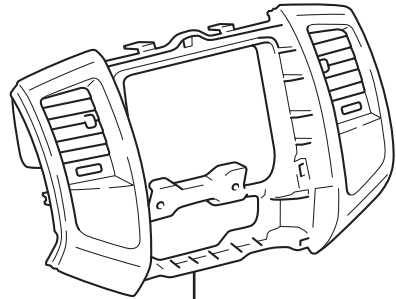
IR

**for Manual Transmission:**

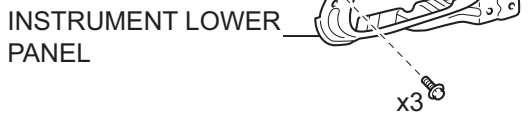




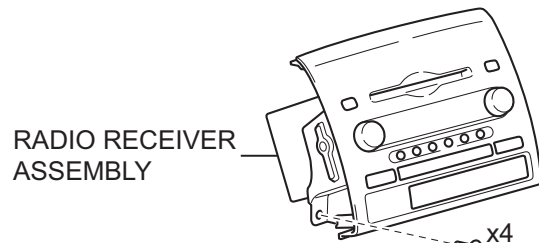
INSTRUMENT CLUSTER FINISH PANEL SUB-ASSEMBLY



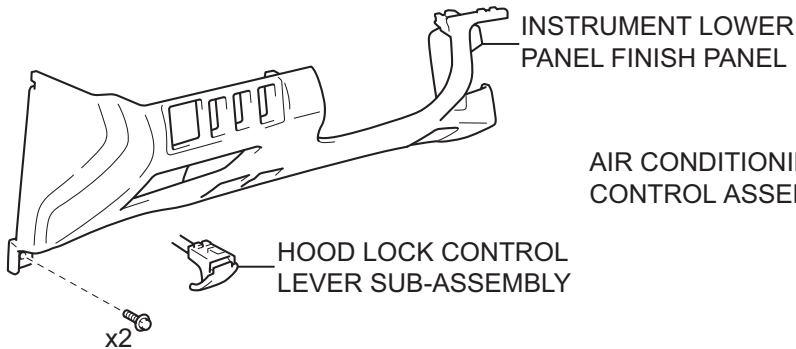
INSTRUMENT CENTER CLUSTER FINISH PANEL SUB-ASSEMBLY



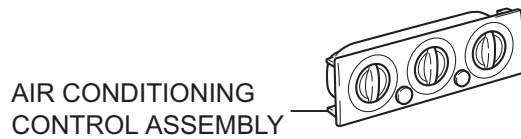
INSTRUMENT LOWER PANEL



RADIO RECEIVER ASSEMBLY

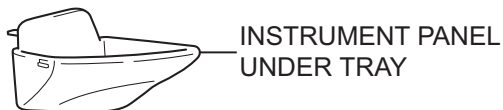


INSTRUMENT LOWER PANEL FINISH PANEL

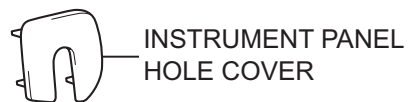


AIR CONDITIONING CONTROL ASSEMBLY

for Pedal Type Parking Brake:

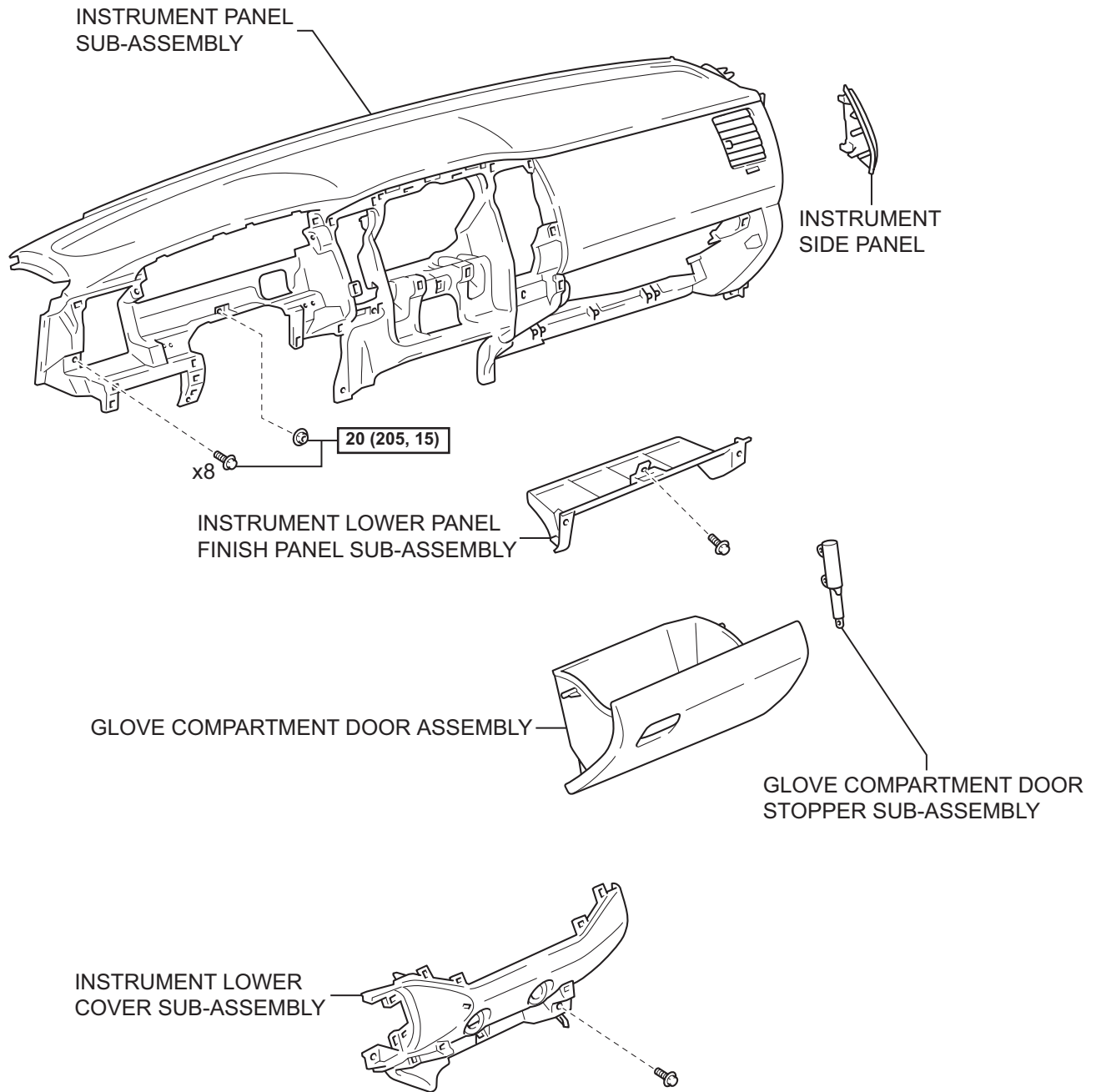


for Lever Type Parking Brake:



N\*m (kgf\*cm, ft\*lbf) : Specified torque

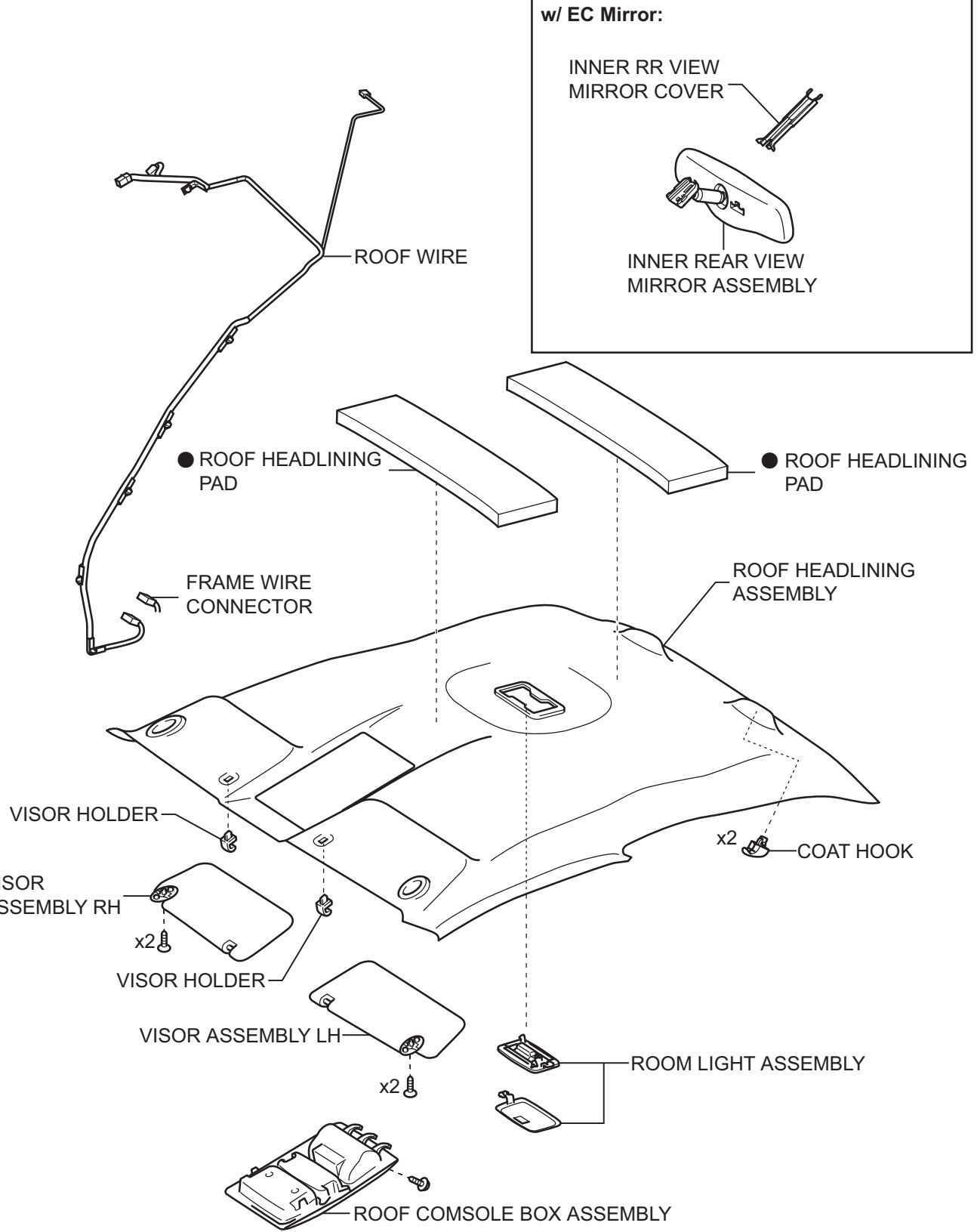
IR



IR

**N\*m (kgf\*cm, ft\*lbf)** : Specified torque

IR



● Non-reusable part