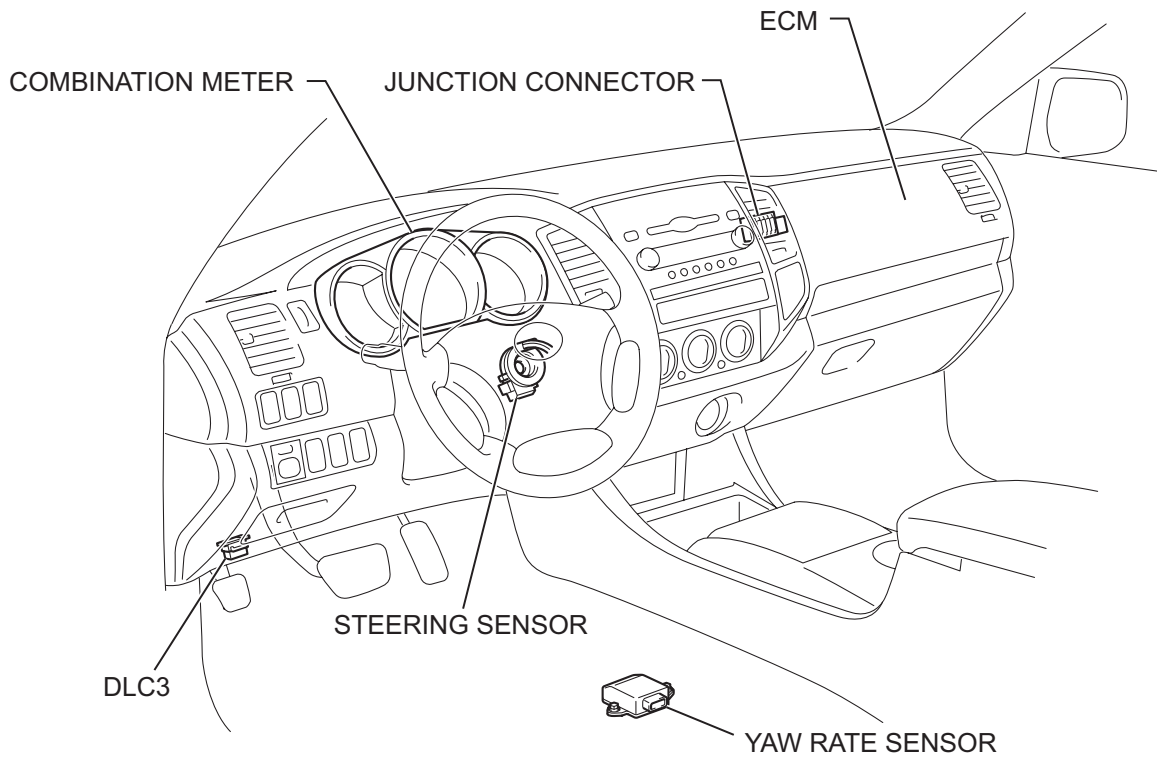
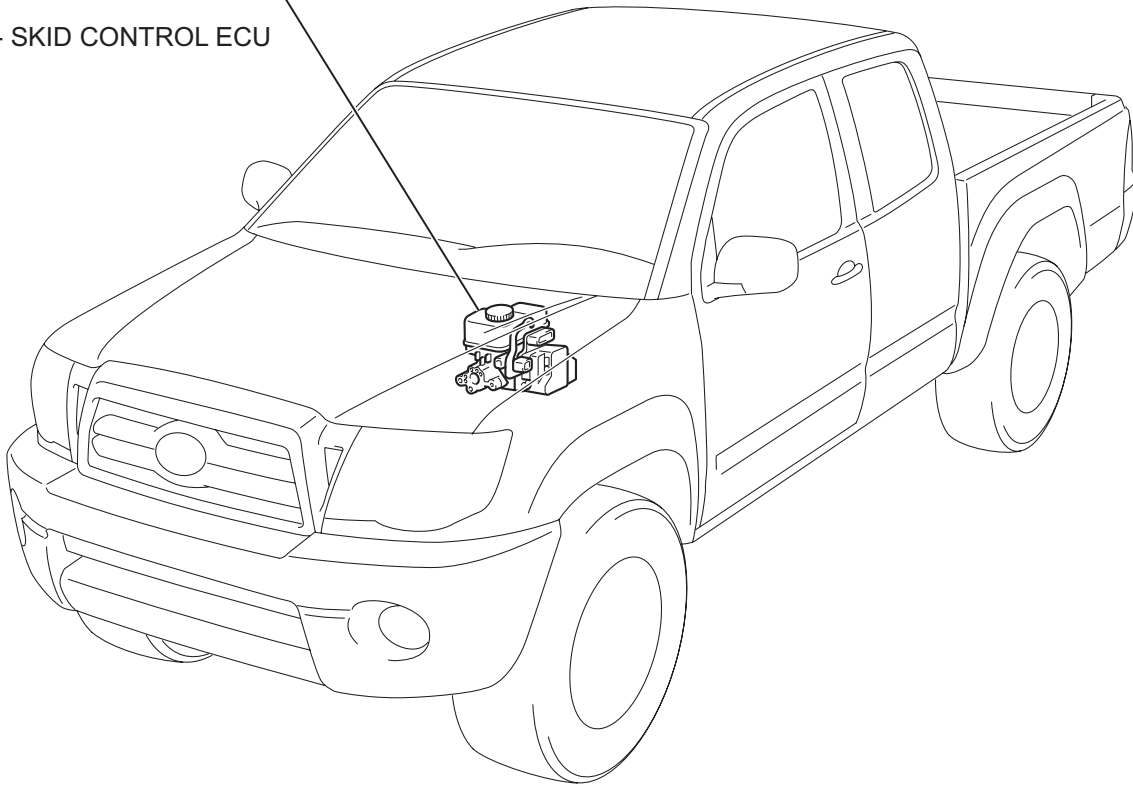


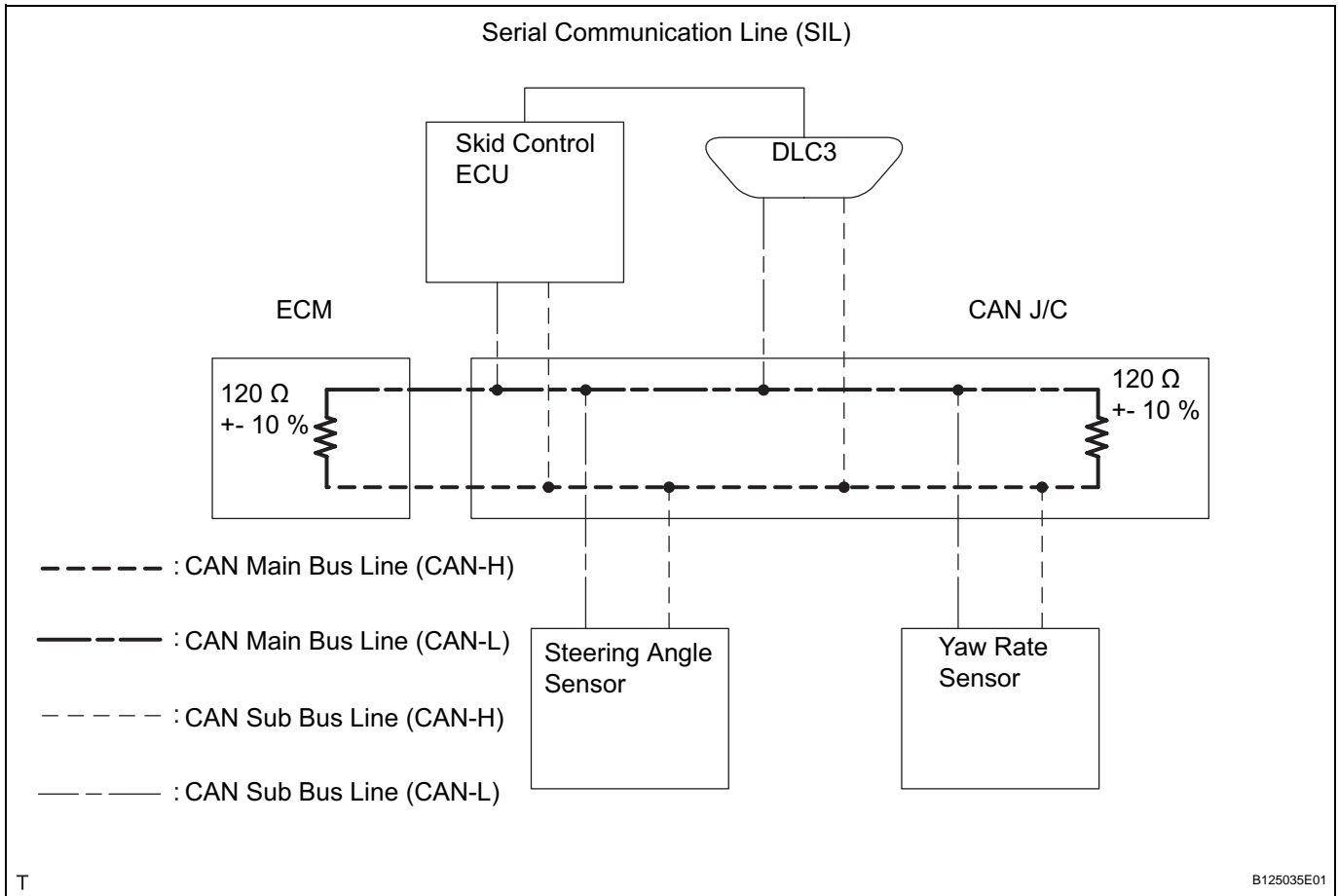
# PARTS LOCATION

BRAKE BOOSTER  
- SKID CONTROL ECU



CA

## SYSTEM DIAGRAM



### HINT:

- The skid control ECU stores DTCs and performs DTC communication by receiving information from the steering angle sensor and yaw rate sensor. These sensors cannot store DTCs or perform DTC communication.
- The ECM uses the CAN communication system to perform DTC communication instead of the conventional serial communication line (SIL).