

29-210-51 Henley Vest

© Pierrot Yarns (Gosyo Co., Ltd.). Translation by Linda Lanz.



Materials

- Pierrot Yarns Sonomama Hitsuji Chan Namibuto [100% wool; 79 yds/72m per 1.41 oz. / 40g skein]; color #4 smoke dust brown; 8 skeins [290g]
- 4.5mm (US 7) and 4.8mm (approx. US 8) straight knitting needles or sizes necessary to achieve gauge
- 4.5mm (US 7) double-pointed knitting needles or size necessary to achieve gauge
- darning needle

Gauge

- pattern stitch: 17 sts and 22 rows = 10cm/4" square

Finished measurements

- chest 106cm/41.73"
- cross back width 42cm/16.54"
- length 64cm/25.20"

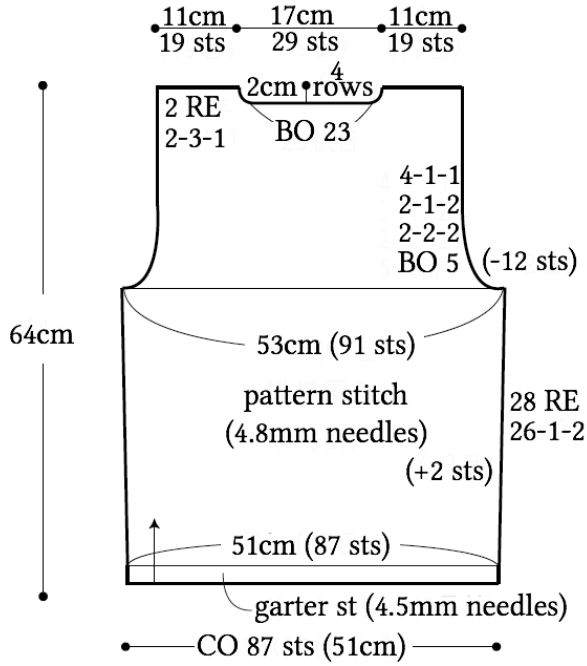
Knitting Tips

Body: Cast on using long-tail cast-on method and knit in garter stitch, then pattern stitch. Front only: when you reach start of neck placket, work right and left sides separately.

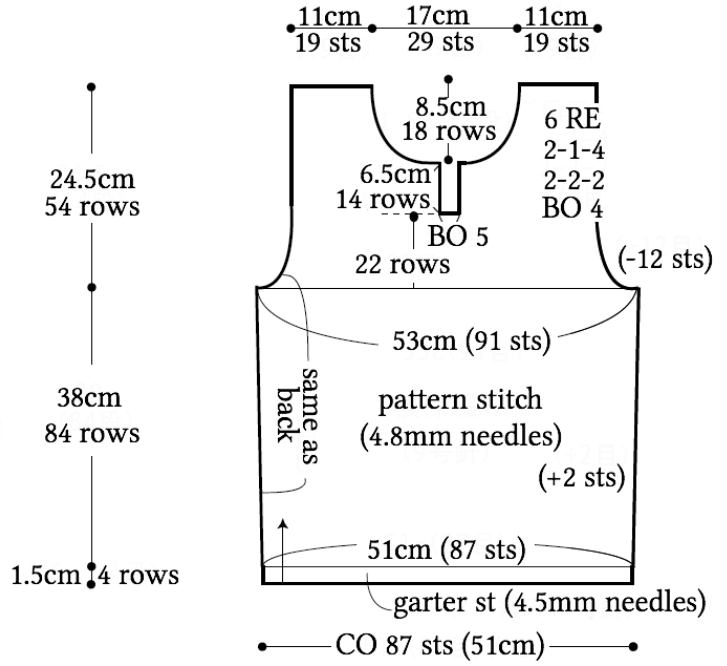
Finishing: Join shoulders with three-needle bind-off. Join sides with mattress stitch. Pick up stitches around neckline and knit in garter stitch. Bind off in pattern from wrong side. Knit front placket, increasing 1 stitch on each side using backward loop cast-on. Seam edge of placket to neckline using stitches-to-rows mattress stitch. Pick up stitches around armhole and work garter stitch in the round. Bind off in pattern from wrong side.

Abbreviations: CO = cast on; BO = bind off; RE = row(s) even; PU = pick up

●back

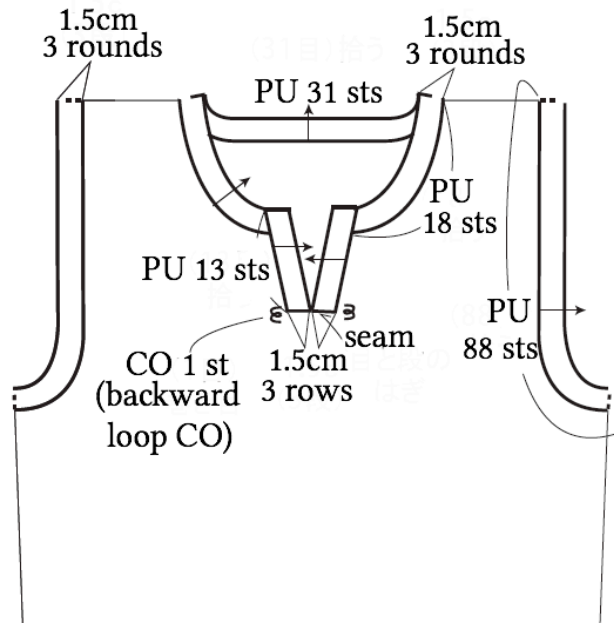


●front



●collar, placket, armholes

garter stitch (4.5mm needles)



● pattern stitch

