

210-211-13 Vest

© Pierrot Yarns (Gosyo Co., Ltd.). Translation by Linda Lanz.



Materials

- Pierrot Yarns Foire DK [100% wool; 90 yds/82m per 1.41 oz./40g skein];
 - **girls' size:** color #24 gray-beige; 4 skeins [160g]
 - **ladies' size:** color #26 smoke dust brown; 7 skeins [260g]
- 4.2mm (approx. US 6) knitting needles or size necessary to achieve gauge
- 3.0mm (approx. US C or D) crochet hook or size necessary to achieve gauge
- 4 cat-shaped buttons: **girls' size:** 20mm / 0.79" diameter [**ladies' size:** 4 buttons (30mm / 1.18" diameter)]
- tapestry needle

Gauge

Gauge is measured in a swatch 10cm/4" square.

- stockinette stitch: 21 sts and 28 rows
- pattern stitch: 28 sts and 28 rows

Finished measurements

- | | |
|--------------------------------|--------------------------------|
| • girls' size: | • ladies' size: |
| • bust 78cm/30.71" | • bust 92cm/36.22" |
| • cross back width 29cm/11.42" | • cross back width 33cm/12.99" |
| • length 39cm/15.35" | • length 57cm/22.44" |

Knitting Tips

Front and back body: Cast on with long-tail cast-on method and knit in stockinette stitch with center panel in pattern stitch.

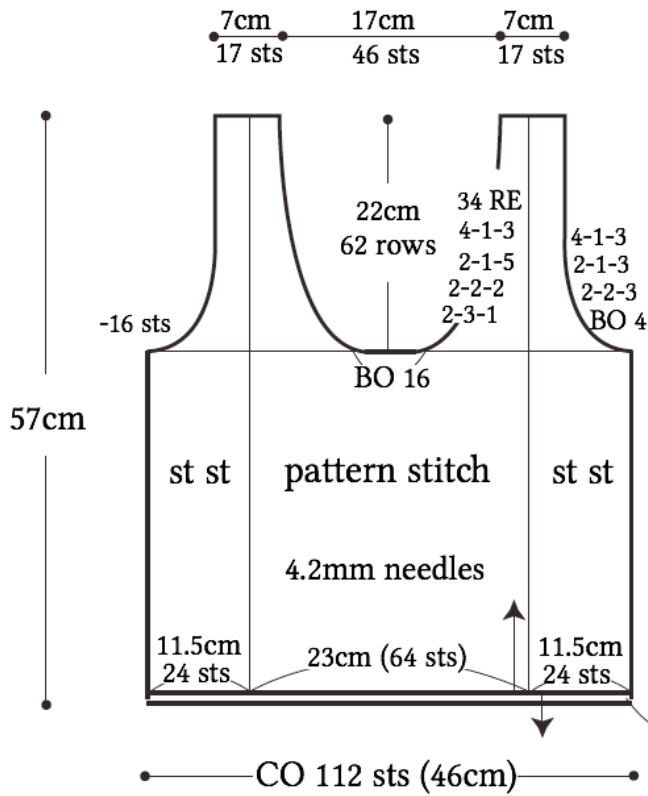
Finishing: Join shoulders with slip stitch seam. Join sides with mattress stitch. Crochet edging around armholes in the round. Work edging in the round around hem, front plackets, and neckline. Use eyelets in pattern stitch as buttonholes.

※ Can be worn with buttons in front or in back.

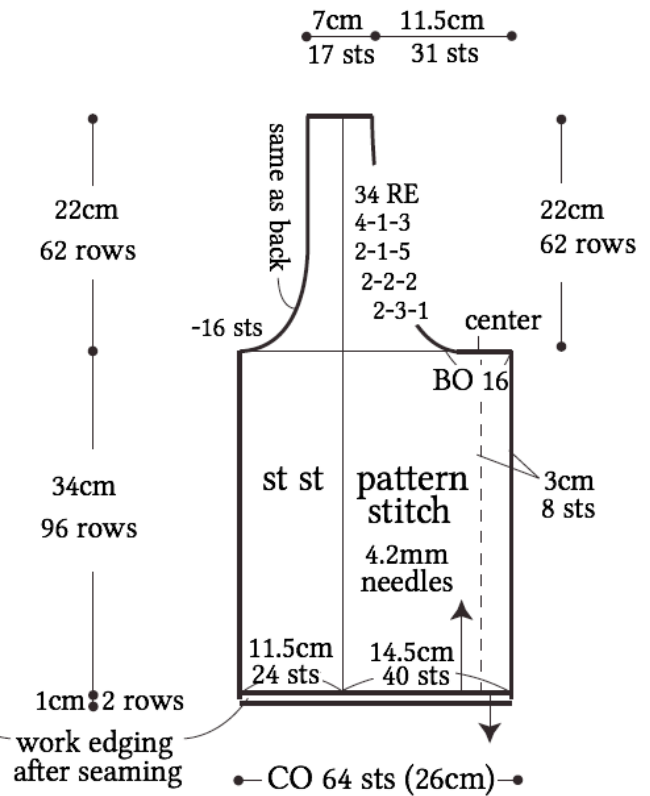
Abbreviations: BO = bind off; CO = cast on; RE = row(s) even; rep = repeat(s); st st = stockinette stitch

Ladies' size

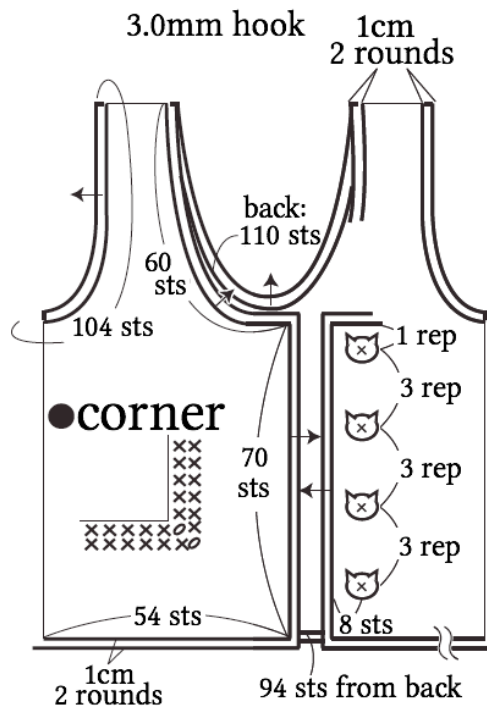
●back



●front



●edging



● pattern stitch 4.2mm needles

center

□ = □ purl st

