

# 210-211-52 Vest



## Suggested yarn:

- Pierrot Yarns Soft Baby Alpaca Namibuto [100% baby alpaca; 85 yds/78m per 1.41 oz./40g skein]; color #76 gray, 8 skeins [320g]

## Tools/Notions:

- 3.3mm (approx. US 3) and 3.9mm (approx. US 6) straight knitting needles or sizes necessary to achieve gauge
- 3.3mm (approx. US 3) double-pointed or circular knitting needles or size necessary to achieve gauge

## Finished measurements:

- chest 104cm/40.94"
- cross back width 40cm/15.75"
- length 63cm/24.80"

## Gauge (10cm/4" square):

- stockinette stitch: 21 sts and 26 rows

*Gauge may vary according to individual knitting style. Change needle size if necessary to achieve gauge. Alternatively, rework pattern with your own gauge measurements.*

## Knitting Tips

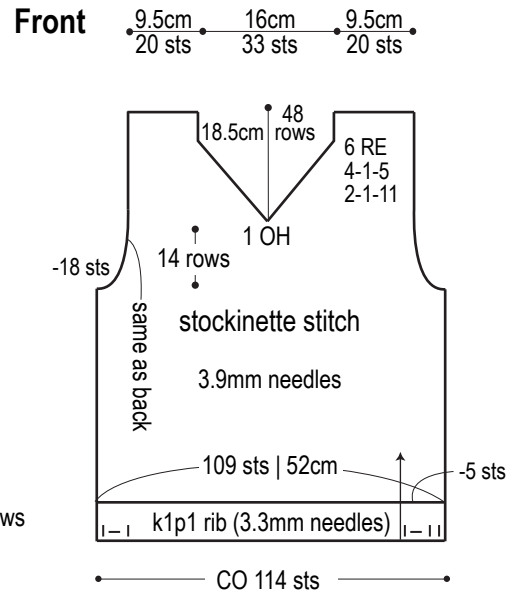
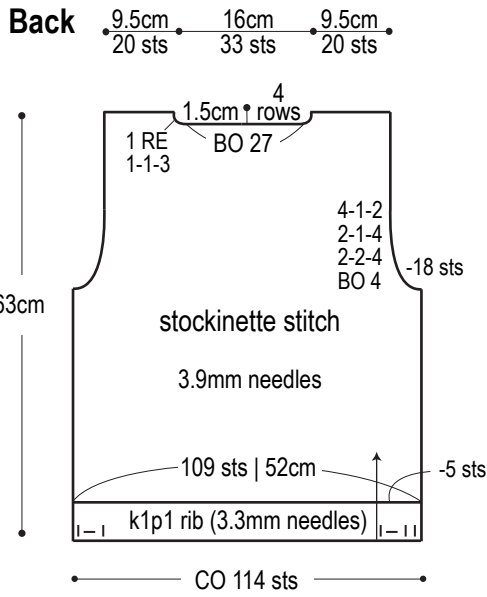
**Body:** Cast on with long-tail cast-on method. Work in k1p1 ribbing followed by stockinette stitch. Shape armscye and neckline by binding off stitches as indicated and working decreases at the edges.

**Finishing:** Seam shoulders with three-needle bind-off. Seam sides with mattress stitch. At neckline and each arm opening, pick up stitches and work k1p1 ribbing in the round. Bind off with 1x1 tubular bind-off. (Pick up one stitch from stitch holder at center front of neckline.)

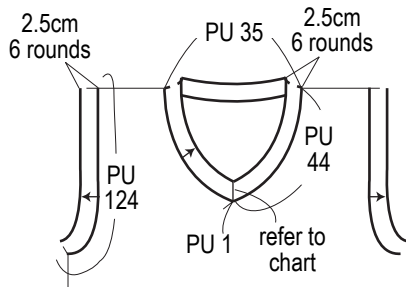
※Measure gauge after blocking fabric with steam iron. If you work the number of stitches and rows indicated in the schematics, the finished garment may be somewhat too large; however, after steaming the fabric with an iron, the measurements should conform well to the measurements on the schematic. We therefore recommend steam blocking the garment.

## Abbreviations:

- BO = bind off
- CO = cast on
- OH = on hold (place on stitch holder)
- PU = pick up
- RE = row(s) even
- ### = rows-stitches-times



**Collar & cuffs (k1p1 ribbing)**  
3.3mm DPNs or circular needle



**Instructions for tip of V-neck**

