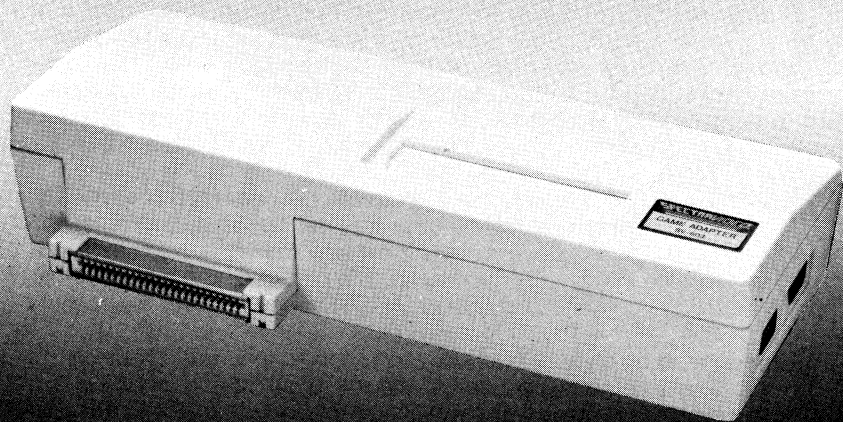


# SV-603

## COLECO GAME ADAPTER INSTRUCTION MANUAL



**SPECTRAVIDEO™**

# SPECTRAVIDEO'S USER'S MANUAL STATEMENT

This equipment generates and uses radio frequency energy and if not installed and used properly, that is, in strict accordance with the manufacturer's instructions, may cause interference to radio and television reception. It has been type tested and found to comply with the limits for a Class B computing device in accordance with the specifications in Subpart J of Part 15 of FCC Rules, which are designed to provide reasonable protection against such interference in a residential installation. However, there is no guarantee that interference will not occur in a particular installation. If this equipment does cause interference to radio or television reception, which can be determined by turning equipment off and on, the user is encouraged to try to correct the interference by one or more of the following measures:

- Reorient the receiving antenna.
- Relocate the computer with respect to the receiver.
- Move the computer away from the receiver.
- Plug the computer into a different outlet so that computer and receiver are on different branch circuits.

If necessary, the user should consult the dealer or an experienced radio/television technician for additional suggestions. The user may find the following booklet prepared by the Federal Communications Commission helpful:

*"How to Identify and Resolve Radio-TV Interference Problems"*  
This booklet is available from the U.S. Government Printing Office,  
Washington, DC 20402. Stock No. 004-000-00345-4.

## **WARNING:**

This equipment has been certified to comply with the limits for a class B computing device, pursuant to Subpart J of Part 15 of FCC Rules. Only peripherals (computer input/output devices, terminals, printers, etc.) certified to comply with the Class B limits may be attached to this computer. Operation with non-certified peripherals is likely to result in interference to radio and TV reception.

## **INTRODUCTION**

Spectravideo's Coleco Game Adapter SV-603 is a peripheral product designed for use with the basic computer unit SV-318 or SV-328. With the connection of the Quickshot III Joystick Controller, this allows the user to enjoy the most thrilling and amusing Coleco Video Games which are handy for selection.

*Before using your Adapter Unit, please read this manual carefully.*

**Published by**  
**SPECTRAVIDEO INTERNATIONAL LTD.**

First Edition  
First Printing 1983  
Printed in Hong Kong  
Copyright © 1983 by Spectravideo International Ltd. All rights reserved.

Every effort has been made to supply complete and accurate information in this manual. Spectravideo International Ltd. reserves the right to change Technical Specifications and Characteristics at any time without notice.

No part of this publication may be stored in a retrieval system, transmitted, or reproduced in any way, including but not limited to photocopy, photograph, magnetic or other record, without the prior agreement and written permission from Spectravideo International Ltd.

# SPECTRAVIDEO COLECO GAME ADAPTER SV-603 INSTRUCTION MANUAL

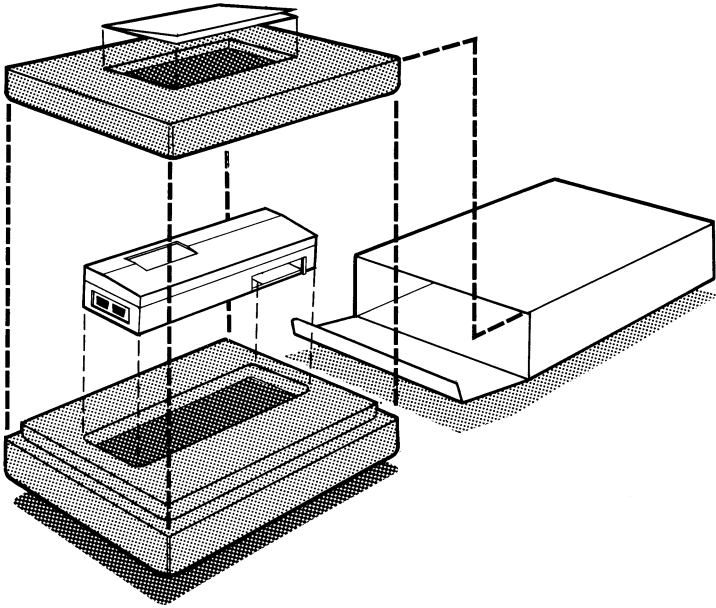
## CONTENTS

	PAGE
1. Accessories	1
2. External View	1
3. Main Features	2
4. Installation	2
5. Operations	3-4
6. Cautions	4
7. I/O Table	5
8. Trouble Shooting	6
9. Specifications	7
10. Options	8

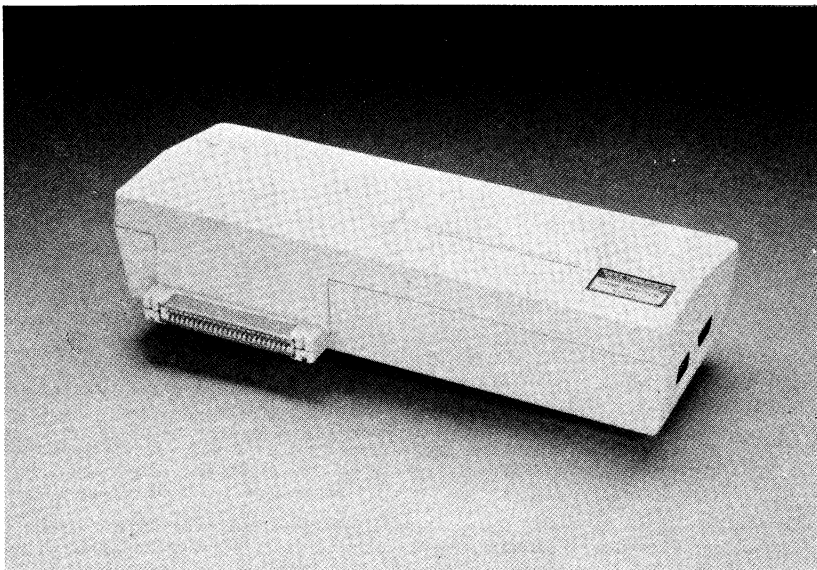
## 1. ACCESSORIES

The SV-603 package should contain the following items:

- (A) Game Adapter
- (B) This instruction manual

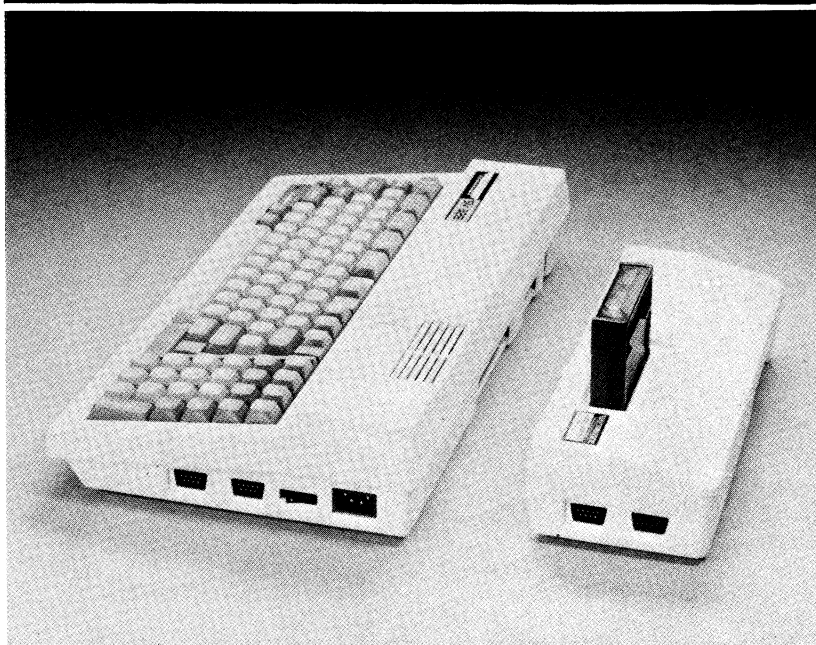


## 2. EXTERNAL VIEW



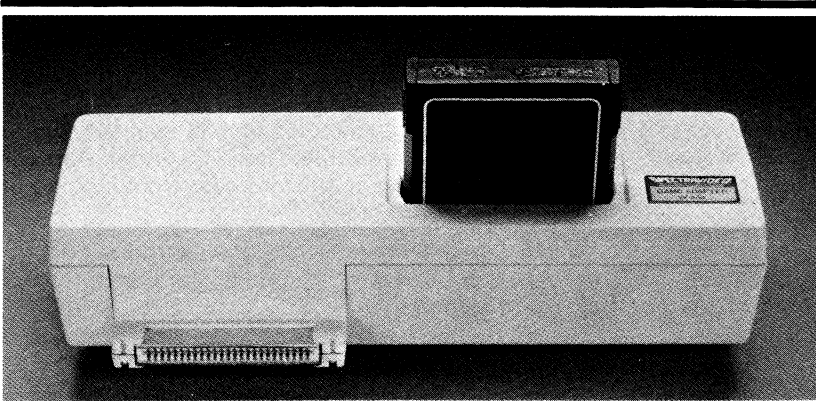
- 
- 3. MAIN FEATURES**
- (A) Compact and slim size.
  - (B) Two joystick ports for two players.
  - (C) Allow the user to play the Coleco Video Games with the basic unit SV-318 or SV-328.
  - (D) Switch automatically to Coleco Game mode when a Game Cartridge is plugged in.
  - (E) Connect the Adapter to both the basic unit SV-318 or SV-328, either the games or computer functions can be performed.
  - (F) Battery-free as all power is supplied by the basic unit.
  - (G) When no Game Cartridge is inserted, the hinged door of the Game Cartridge Port will spring back to prevent dust from lodging in the circuit board.
  - (H) Specially designed Game Cartridge Port to avoid inverse insertion of the Game Cartridge.

**4. INSTALLATION** Simple connection to the SV-318 or SV-328 is made via a 44-pin connector on the front of it. However, be sure that the power is OFF before insertion.



## 5. OPERATIONS

- (A) Be sure the power is switched OFF.
- (B) Connect the video monitor or TV to your SV-318 or SV-328 computer as instructed in the computer manual.
- (C) Plug in the Coleco Video Game Cartridge firmly on the Game Cartridge Port located on the top right hand side with the label facing the front.



- (D) Connect the Joystick Controller to No. 1 Joystick Port for single player while connect to both No. 1 and No. 2 Joystick Ports for dual players.



- (E) Switch the computer and TV power on, you are ready to enjoy your favourite Coleco Video Games.
- (F) If you want to remove the Game Cartridge, make sure the power is switched OFF and then move the cartridge out.

## **6. CAUTIONS**

- (A) Never connect or disconnect the Coleco Game Adapter with the SV-318 or SV-328 when power is ON. This may cause short circuit of the bus connector and eventually the computer and the peripherals may be burnt.
- (B) Never remove the Game Cartridge with the power ON. This may cause serious damage to your system.
- (C) Be careful not to bend the I/O pins on the Game Adapter when removing it from the Basic unit.
- (D) Do not drop the Adapter unpacked. This can cause irreparable damage to the circuit board.
- (E) Do not operate this unit in an area where the temperature or humidity is high or where there is direct sunlight.



## 7. I/O TABLE

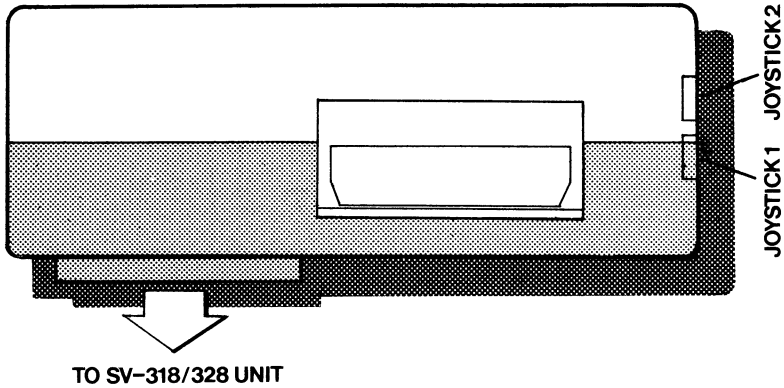
PIN	NAME	PIN	NAME
1	+5V	2	CNTRL2
3	+12V	4	-12V
5	CNTRL1	6	WAIT
7	RST	8	CPUCLK
9	A15	10	A14
11	A13	12	A12
13	A11	14	A10
15	A9	16	A8
17	A7	18	A6
19	A5	20	A4
21	A3	22	A2
23	A1	24	A0
25	RFSH	26	EXCSR
27	M1	28	EXCSW
29	WR	30	MREQ
31	IORQ	32	RD
33	D0	34	D1
35	D2	36	D3
37	D4	38	D5
39	D6	40	D7
41	CSOUND	42	INT
43	RAMDIS	44	ROMDIS
45	BK32	46	BK31
47	BK22	48	BK21
49	GND	50	GND

## 8. TROUBLE SHOOTING

<b>Symptom</b>	<b>Possible Causes</b>	<b>Remedy</b>
No sound or picture (with LED on SV318 or 328 not illuminate)	Power switch not turned "ON"	Turn on the power switch of the computer.
	Power cable not connected	Be sure the power cable is connected to the computer and the wall socket.
	Fuse is blown in the transformer box	Replace the fuse in the transformer of the computer.
No sound or picture (with LED on SV-318 or 328 illuminates)	Improper connection between the Adapter and the computer	Make sure the 44-pin connector is firmly plugged into the computer.
Game cannot be booted up Computer displays "BASIC" mode	Mal-function of the game slide switch	A slide micro switch was built inside the Adapter near the game slot area. Check the function of the switch, it should be closed when a game cartridge is plugged in.

## 9. SPECIFICATIONS

<b>BUILT-IN SOFTWARE</b>	8K-byte Games Monitor Program
<b>I/O</b>	Sockets for connecting 2 joysticks 50-pin socket to SV-318/328 system bus Built-in slot for COLECO game cartridge
<b>POWER REQUIREMENT</b>	Supplied by SV-318/328 unit
<b>DIMENSIONS(MM)</b>	276(W) × 120(D) × 63(H)
<b>WEIGHT</b>	0.7Kg



**TOP VIEW**

---

## 10. OPTIONS

Spectravideo has specially designed two packages of joystick for the Spectravideo Coleco Game Adapter, namely, SV-103 Single Quickshot III Joystick and SV-123 Dual Quickshot III Joysticks.

---

