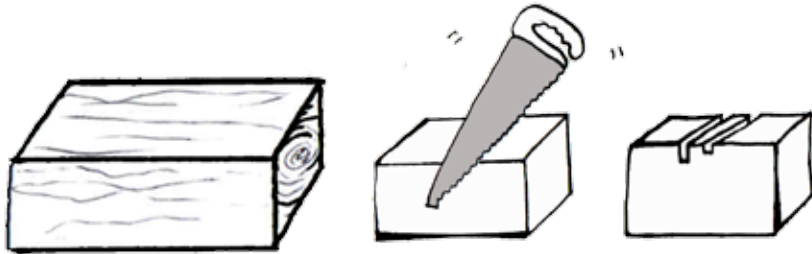


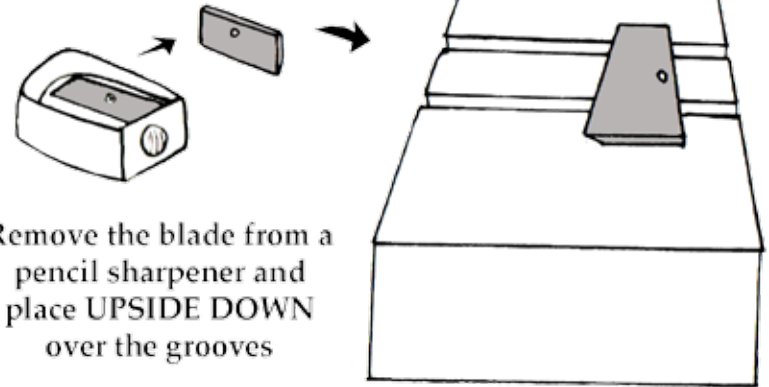
# How to Make a bottle cutter

1



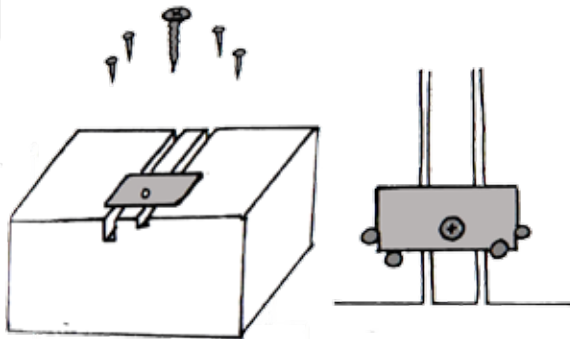
Saw one or two narrow grooves into a block of wood. The depth of the groove will indicate the width of the bottle string

2



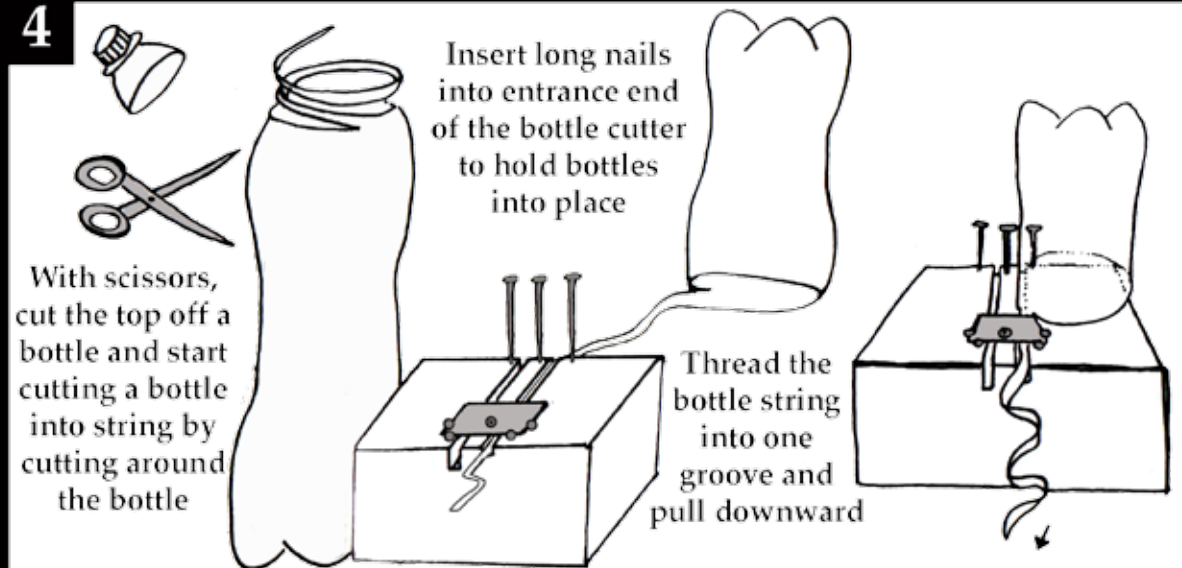
Remove the blade from a pencil sharpener and place UPSIDE DOWN over the grooves

3



Screw and/or nail the blade into place. It should be flat and secure

4



Insert long nails into entrance end of the bottle cutter to hold bottles into place

With scissors, cut the top off a bottle and start cutting a bottle into string by cutting around the bottle

Thread the bottle string into one groove and pull downward