



SAPIENZA
UNIVERSITÀ DI ROMA

The European Δ DOR System

Luciano Iess

Dipartimento di Ingegneria Meccanica e Aerospaziale
Sapienza Università' di Roma, Italy

Outline

1. Principles of Δ DOR measurement

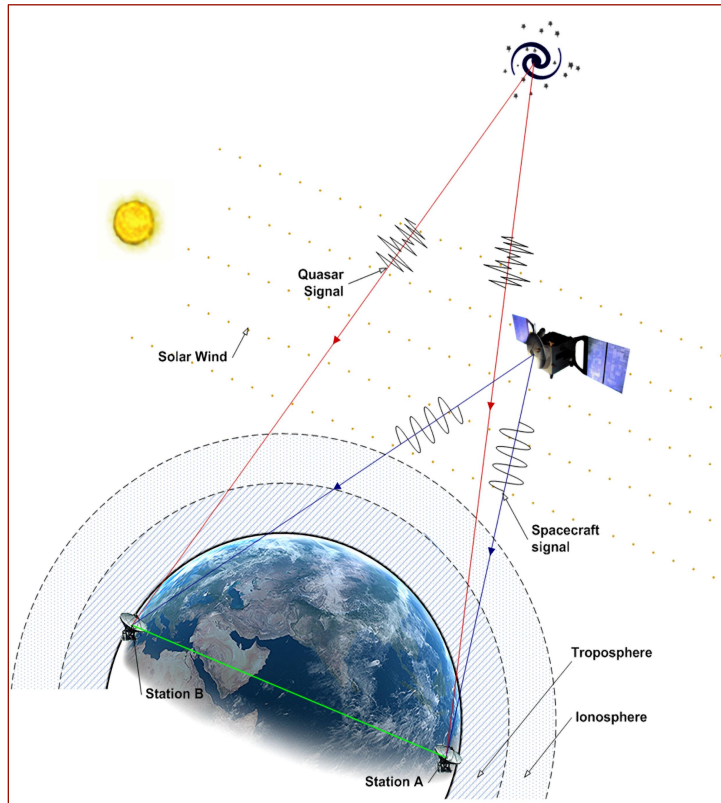
2. European Δ DOR S/W Correlator:

- History
- S/W Modules: Translator and Correlator
- Translator Module
 - Cross-agency Operability
- Correlator Module:
 - S/C and Quasar data processing
 - Wideband capability
 - Low-SNR capability

3. Performances

4. Conclusions

1. Principles of Δ DOR (1)



Δ DOR stands for **Delta-Differential One Way Ranging**

DOR is the measure of the differential phase delay of a spacecraft (S/C) signal, recorded simultaneously at two geographically separated ground stations.

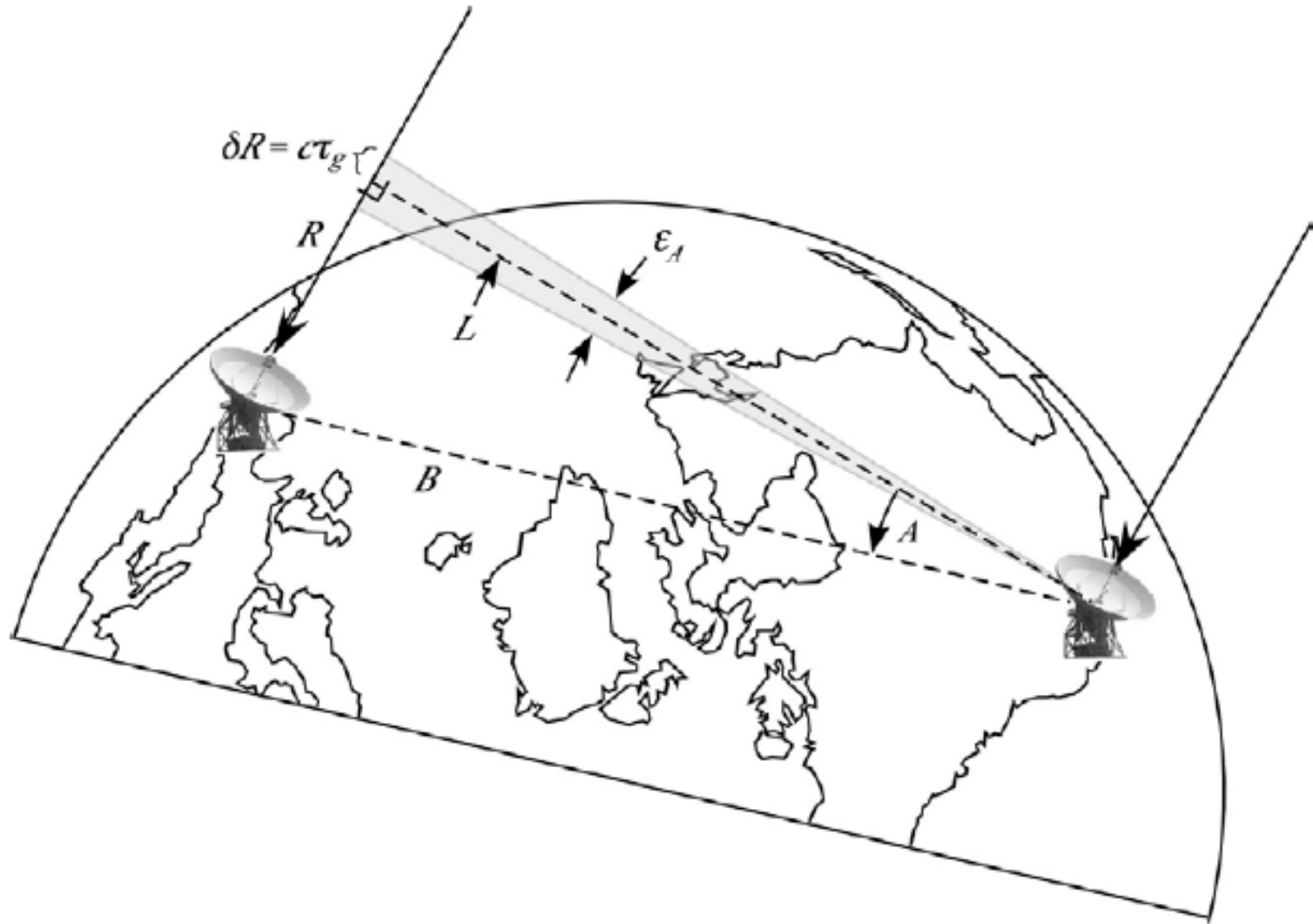
The signal arrival time between two stations.

$$\tau = \frac{1}{c} B \cdot \hat{s} = \frac{1}{c} B \cos \vartheta$$

The measurement is affected by errors that prevent its use for navigation (synchronization between station clocks)

$$\Delta\text{DOR} = \text{DOR}_{\text{SC}} - \text{DOR}_{\text{QS}} \quad \text{Calibrated observable}$$

Differential one way range




δR . Differential one way range; A: angle between B and L

Δ DOR measurement (1)

The differential one way range provides information about the angular location of a target spacecraft

Errors:



- Clock offset
- Instrumental group delay
- Media effects

Calibrate the measurement  DOR of a reference source whose direction is well known, typically a quasar whose position is well known and catalogued

Δ DOR measurement (2)

Acquisition sequence

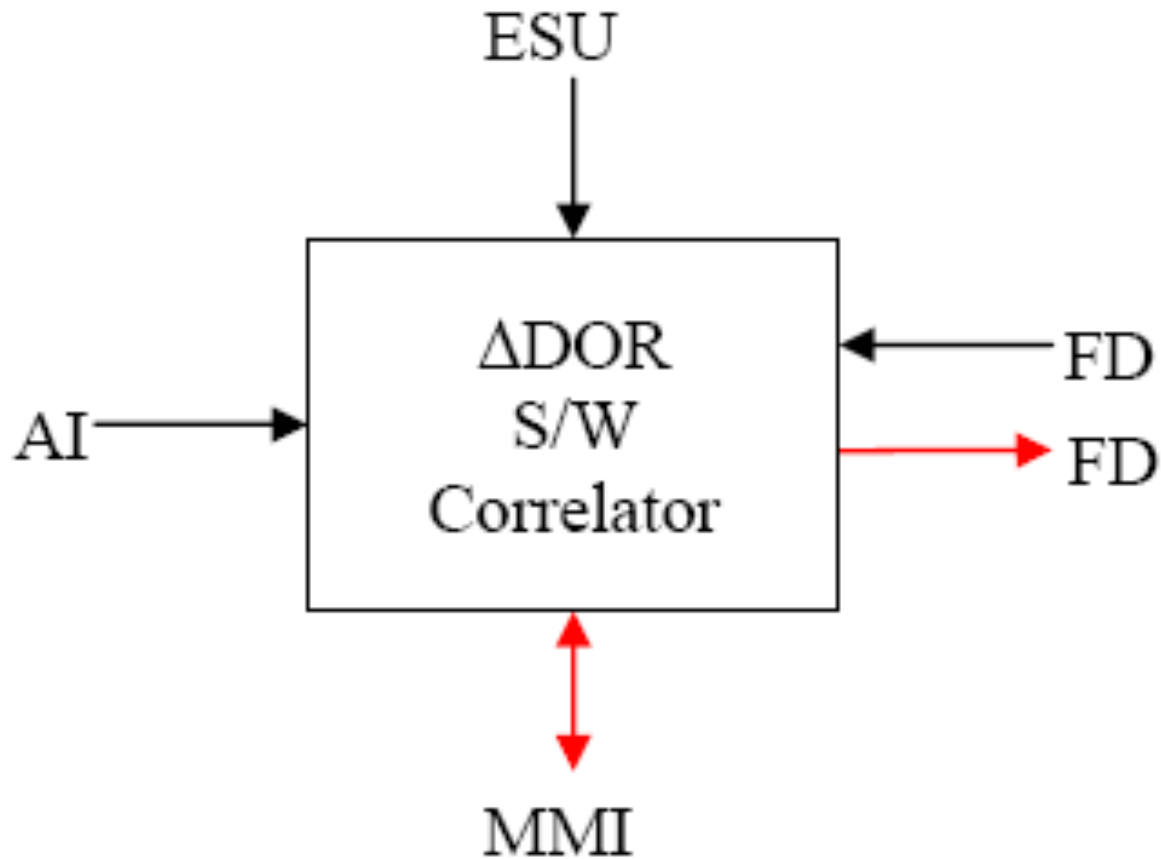
- Pointing to a target spacecraft
- Antennas quickly move to the quasar
- Antennas are returned to the target spacecraft

DOR results are differenced  most of
the errors are cancelled  accurate
technique for *orbit determination*

ESA resources for Δ DOR support

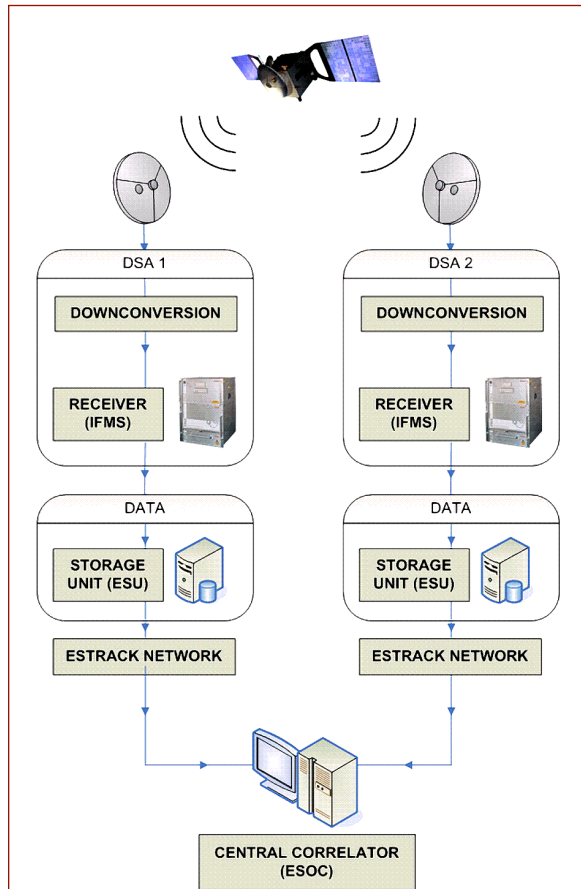
- Two Ground Stations to form a “baseline”
- DDOR compatible IFMS and ESU at each GS
- GS Data Retrieval S/W
- Correlator Machines
- FD Group to produce “models”
- Quasar catalogue
- A Flying S/C
- DDOR S/W Correlator
- A trained S/W Correlator operator

Δ DOR S/W Correlator Interfaces



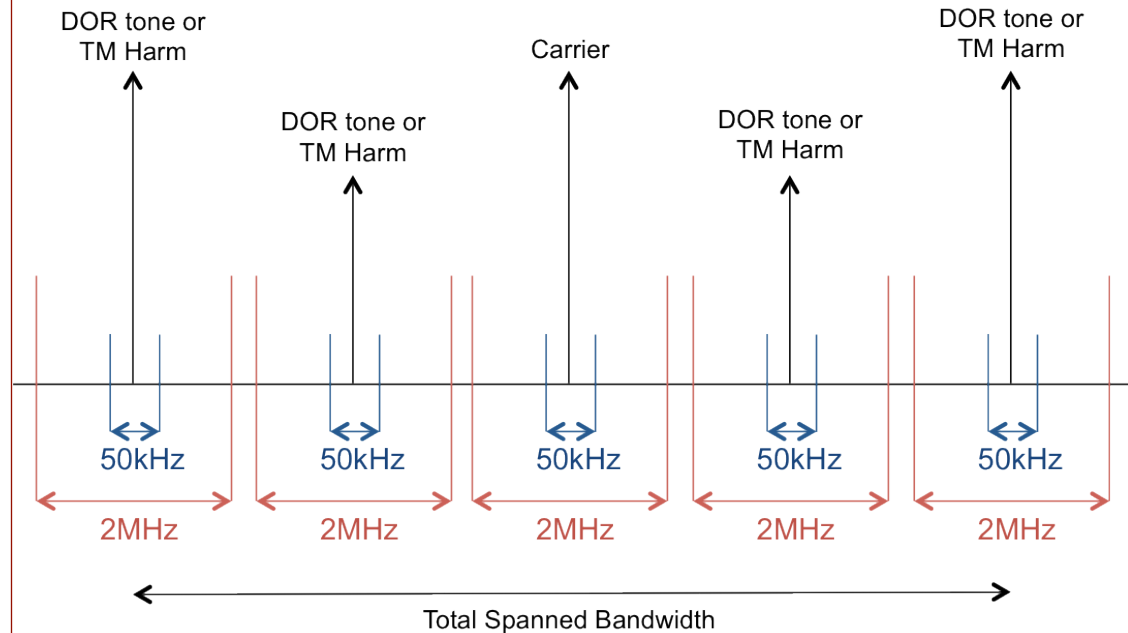
1. Principles of Δ DOR (2)

Observation Sequence: Quasar - S/C - Quasar (or S-Q-S)



S/C Signal: Telemetry Harmonics or DOR tone

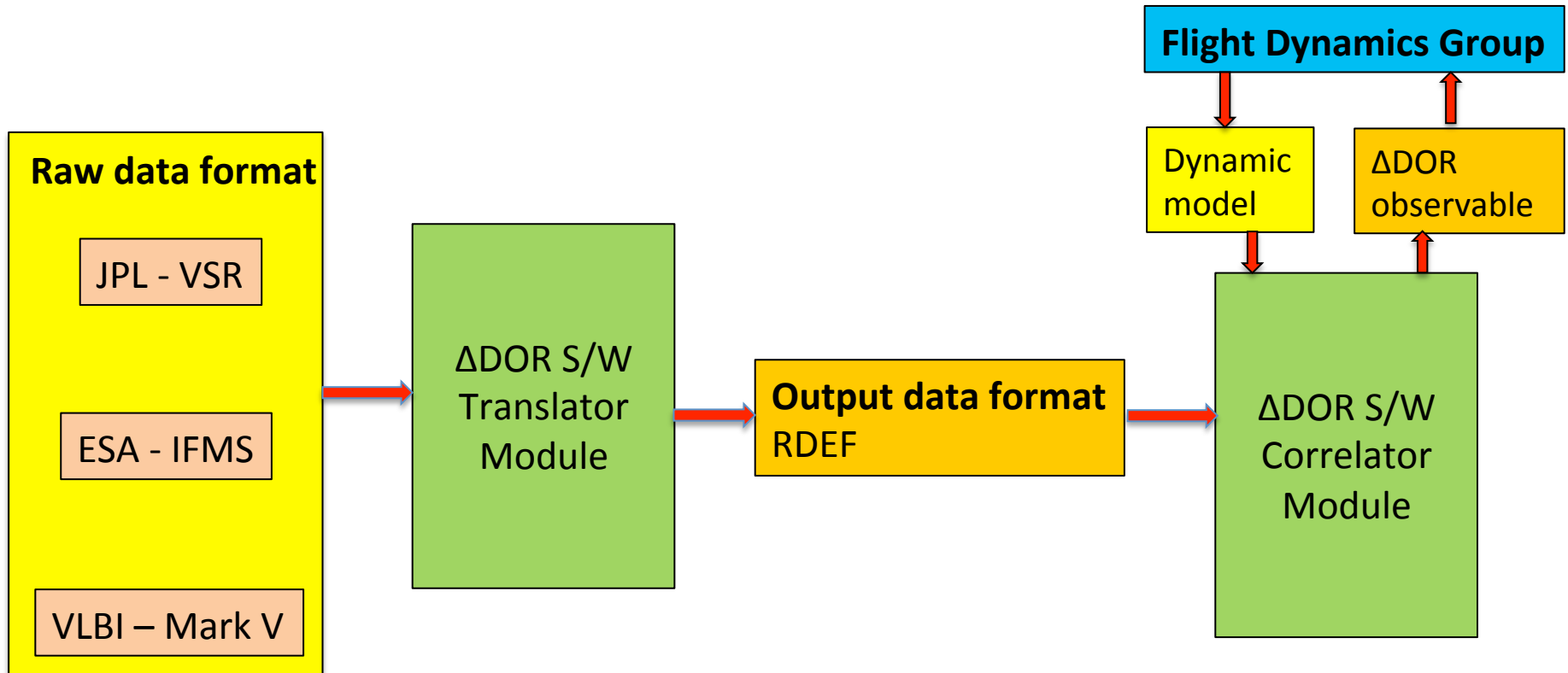
Quasar signal: White noise embedded in the receiver noise



2.1 European Δ DOR S/W Correlator: History

- 2005/2006 Correlator development
 - Test with Rosetta S/C (2005)
 - Operational with Venus Express Orbit insertion (2006)
- 2007/2008 Translator development
 - ESA-NASA operability with Phoenix S/C (2008)
- 2010/2012 Δ DOR enhancement
 - ESA-NASA wideband acquisition of Juno S/C (2012)

2.2 Δ DOR S/W Correlator: Translator and Correlator Modules



2.3 Translator module: Cross-Agency operability

$$\sigma_{\vartheta} = \frac{c}{B \cos \vartheta} \sigma_{\tau}$$

- Baseline length
- Ortogonality



Consultative Committee for Space Data Systems (CCSDS) establishes a Raw Data Exchange Format (RDEF)

FD – Dynamic model for S/C

FD model for the spacecraft signal correlation:

$$S_N = e^{i[2\pi(f_t - f_{loN})t - k\rho_N(t) + \phi_0]}$$

where:

- f_t is the transmitted frequency
- f_{loN} is the local oscillator frequency
- Φ_0 is the initial phase on board
- $\rho_N(t)$ is the range provided by FD for the station L at time t

$$\rho_N = \int_{t_0}^t \dot{\rho}(t) dt$$

FD – Dynamic model for EGRS

FD model for EGRS signal correlation - differential one way range:

$$\tau = \frac{r_{12}}{c} + RLT_{12} - (ET - ST)_{t_2} + (ET - ST)_{t_1} + \tau_{T_2} - \tau_{T_1}$$

where:

- r_{12} is the (Newtonian) distance that the quasar wave front travels from station 1 to station 2
- RLT_{12} the relativistic light-time delay
- $(ET-ST)_{t_1}$ is the difference between ephemeris time and station time at time t_1 at station 1
- T_{T_1} is the delay due to the troposphere at station 1.

2.4 Correlator module: S/C and Quasar data processing

Spacecraft correlation

- **Frequency estimation** of the strongest channel (Highest SNR), generally the carrier. Comparison between PLL reconstructed phases and model provided by Flight Dynamic (FD) Group
- **Reconstruction of the signal/tones** of all channels (filtering). Heterodyne integrator driven by frequency prediction (FD+estimated freq.)
- **Phasor stopping**. Multiplication of the extracted phasor by a counterrotating phasor (FD model + est. frequency)
- **Correlation**, channel by channel, of the phasors of station A and B to compute a phase delay.
- **Ambiguity resolution** to find SC DOR. Linear fit of all the phases

Quasar correlation

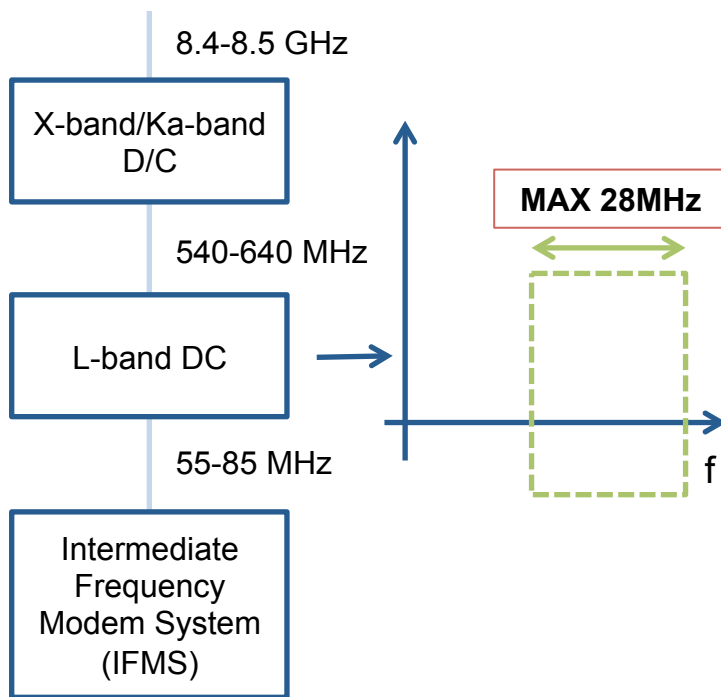
- The data stream from each station is, channel by channel, **delay- and Doppler-compensated** (fringe rotation) using the model provided by FD.
- **Correlation of data streams** of station A and B, channel by channel, for a range of delays (few μs) across zero
- **Bandwidth synthesis** of the correlation function, leading to phase delay (Quasar DOR τ_Q) and delay rate.

2.5 Correlator module: wideband capability

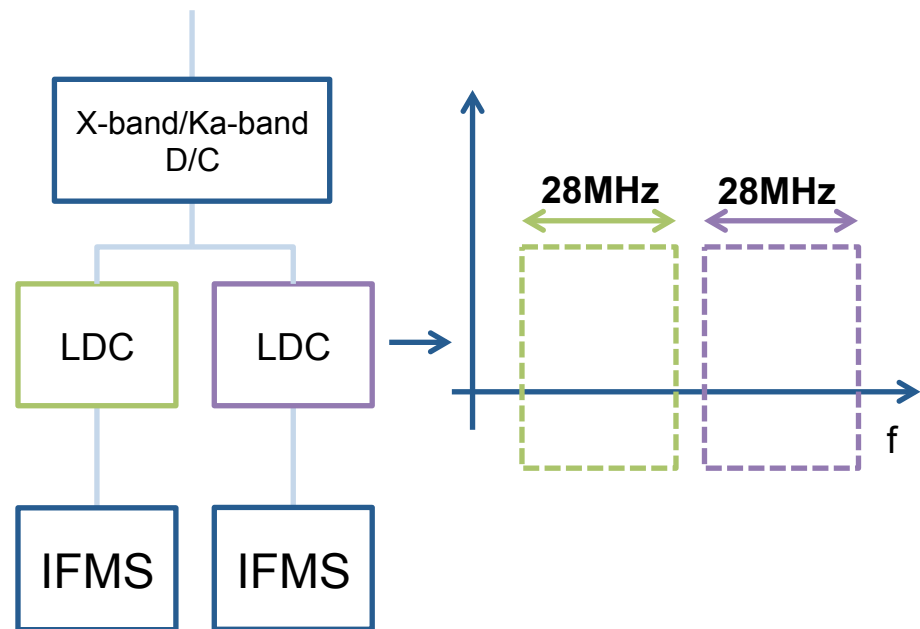
$$\sigma_{\tau} = \frac{1}{2\pi\Delta f} \sqrt{\frac{2}{P/N_0 \cdot T_{OBS}}}$$

Increasing the spanned bandwidth (the distance between the external channels) is a powerful method to improve the measurement accuracy (both S/C and Quasar)

Standard configuration



Wideband configuration



2.5 Correlator module: wideband capability

Recorded signal:

$$\Phi_{sig_{A,B}}^{i^{S,Q}} = \Phi_{0_{A,B}}^{i^{S,Q}} + 2\pi \cdot f_{lo}^i (t - t_0)_{A,B}^{S,Q} + \Phi_{CLK}^i + \Phi_{\tau}^{i^{S,Q}}$$

Known

Unknown

SC Unknown/QS Known

Correlation:

$$\Delta\Phi^{i^S} = \Delta\Phi_0^{i^S} + \Phi_{CLK}^i + \Delta\Phi_{\tau}^{i^S}$$

$$\Delta\Phi^{i^Q} = \Delta\Phi_0^{i^Q} + \Phi_{CLK}^i$$

Standard configuration (Single LDC)

$$\Delta\Phi_0^{i^S} \neq \Delta\Phi_0^{i^Q}$$

$$\Delta\Phi_0^{1^{S,Q}} = \Delta\Phi_0^{2^{S,Q}} = \dots = \Delta\Phi_0^{n^{S,Q}}$$

Standard Algorithm

$$\Delta\Phi^{i^Q} = \Delta\Phi_0^{i^Q} + \Phi_{CLK}^i \rightarrow \Phi_{CLK}^i$$

Linear fit of $\Delta\Phi^{i^S} = \Delta\Phi_0^{i^S} + \Delta\Phi_{\tau}^{i^S}$

Wideband configuration (Multiple LDCs)

$$\Delta\Phi_0^{i^S} = \Delta\Phi_0^{i^Q}$$

$$\Delta\Phi_0^{1^{S,Q}} \neq \Delta\Phi_0^{2^{S,Q}} \neq \dots \neq \Delta\Phi_0^{n^{S,Q}}$$

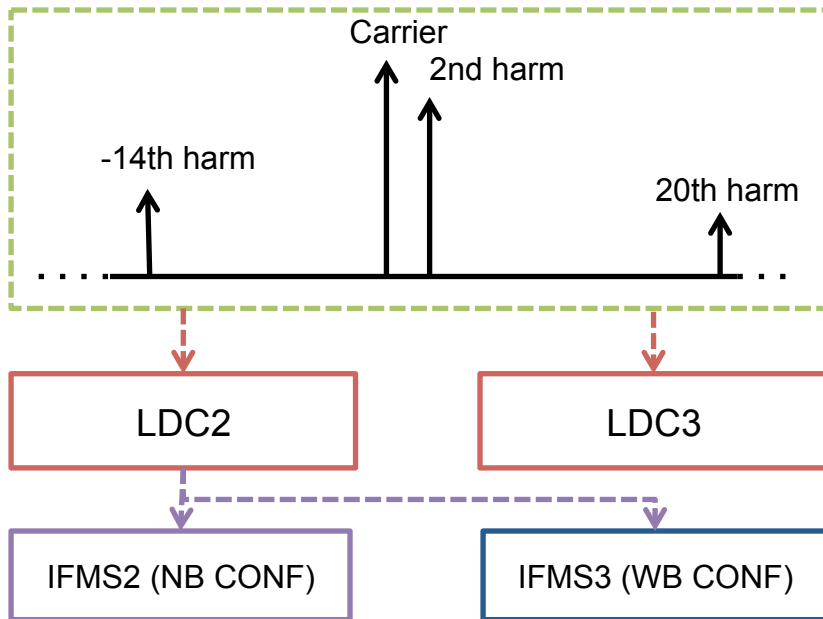
Phase subtraction Algorithm

$$\Delta\Phi^{i^S} - \Delta\Phi^{i^Q} = \Delta\Phi_{\tau}^{i^S}$$

Linear fit of $\Delta\Phi_{\tau}^{i^S}$

2.5 Correlator module: wideband capability – VEX test

Test: Venus Express (VEX) acquisition on Aug 1° 2012



IFMS2- Narrow band configuration

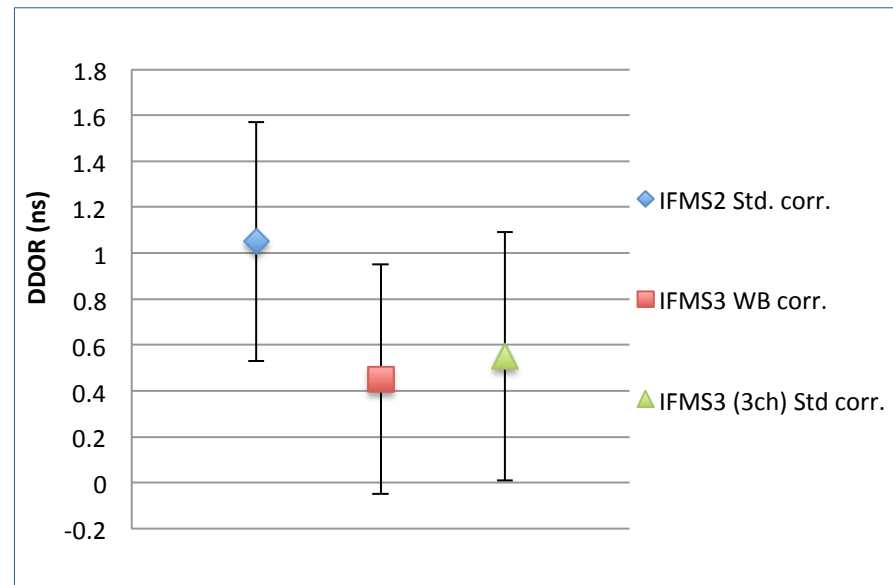
All four channels from LDC2

IFMS3- Wideband configuration

3 channels from LDC3 (Carrier, 20° harm and -14° harm)

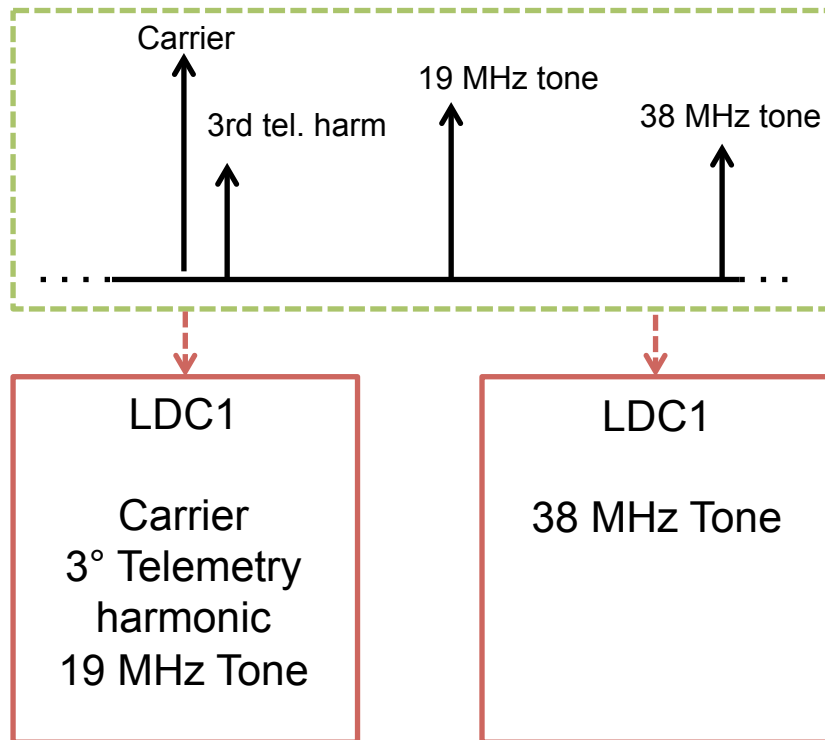
1 channel from LDC2 (2° harm)

	DDOR (ns)	Sigma (ns)
IFMS2 Std corr.	1.05	0.52
IFMS3 WB corr.	0.45	0.5
IFMS3 (3ch) Std corr.	0.55	0.54



2.5 Correlator module: wideband capability – JUNO ESA-NASA acquisition

Test: JUNO ESA-NASA acquisition on Sep 23rd 2012

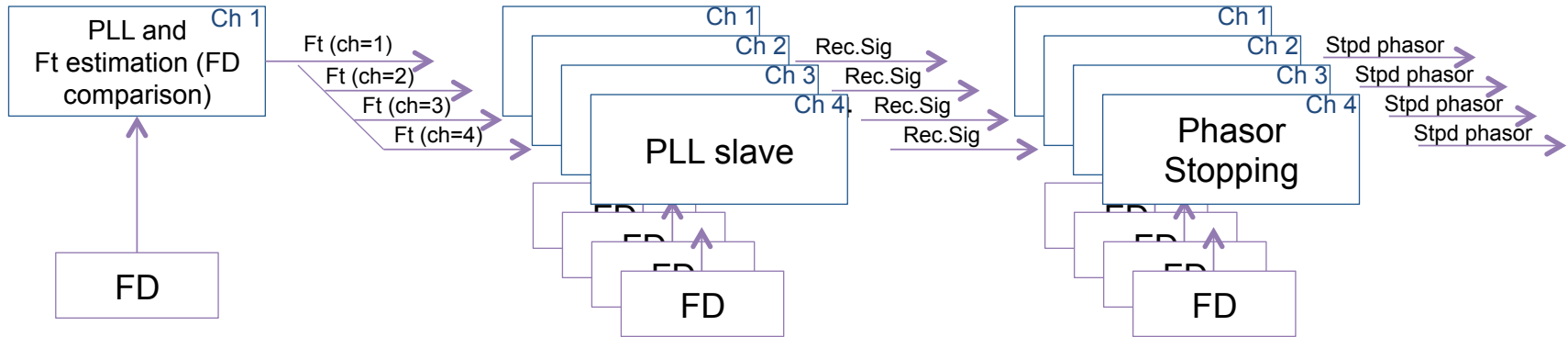


	DDOR (ns)	Sigma (ns)
1° Acquisition	1.1	0.009
2° Acquisition	1.043	0.009

First real ESA wideband acquisition. Successful exchange of RDEF data between agencies.

2.5 Correlator module: low-SNR capability

Standard algorithm (PLL)



Recorded signal:

$$\Phi^{SC} = \omega_c t - \frac{\omega_c}{c} \rho - \omega_{LO} t + \Phi_0$$

$$\rho = c_0 + c_1 t + c_2 t^2$$

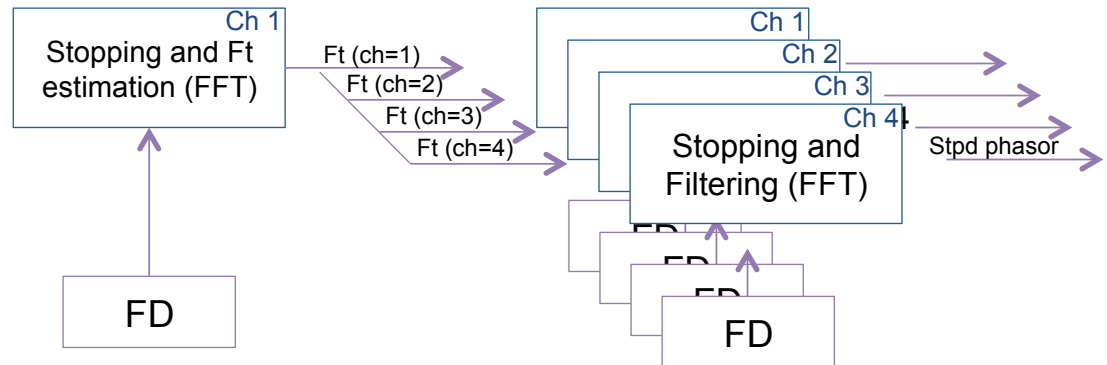
Stopping:

$$\Phi^{SC} = (\omega_c - \tilde{\omega}_c) t - \frac{\omega_c - \tilde{\omega}_c}{c} (c_1 t + c_2 t^2) + \hat{\Phi}_0$$

Frequency estimation:

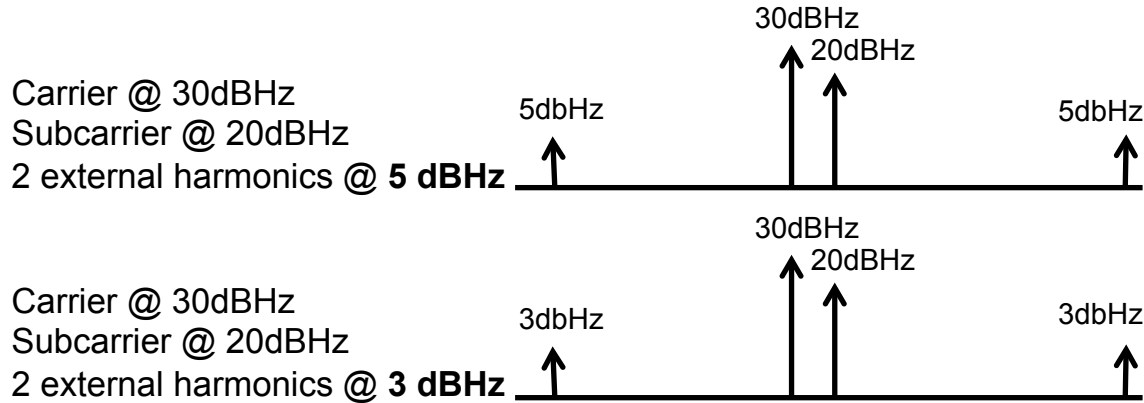
$$\omega_{FFT} = (\omega_c - \tilde{\omega}_c) - \frac{\omega_c - \tilde{\omega}_c}{c} c_1 \approx \omega_c - \tilde{\omega}_c$$

Low-SNR Algorithm (PLL free)



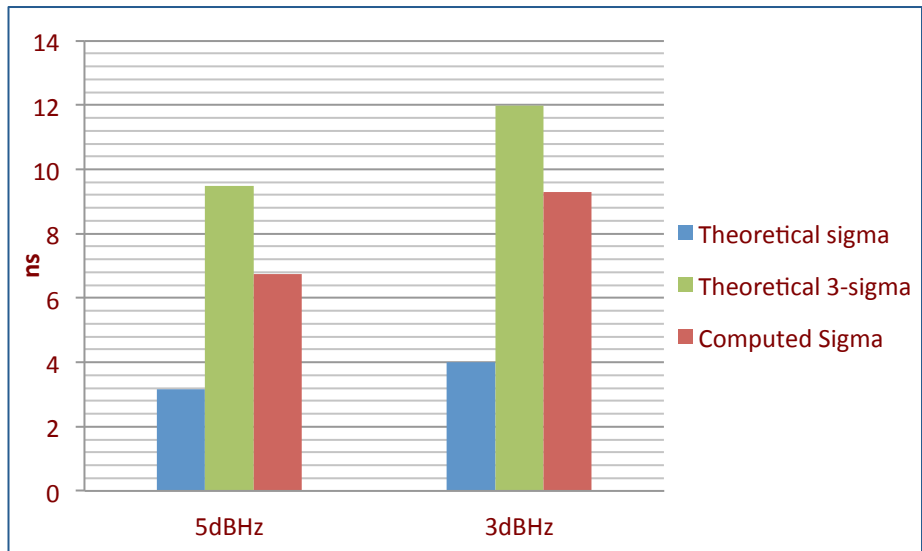
2.5 Correlator module: low-SNR capability

Test: Montecarlo Simulations



$$\sigma_{\tau} = \frac{1}{2\pi\Delta f} \sqrt{\frac{2}{P/N_0 \cdot T_{OBS}}}$$

	Number of points	Th. sigma (ns)	Th. 3-sigma (ns)	Computed Sigma (ns)
5dBHz	80	3,16	9,48	6,74
3dBHz	132	3,99	11,97	9,3

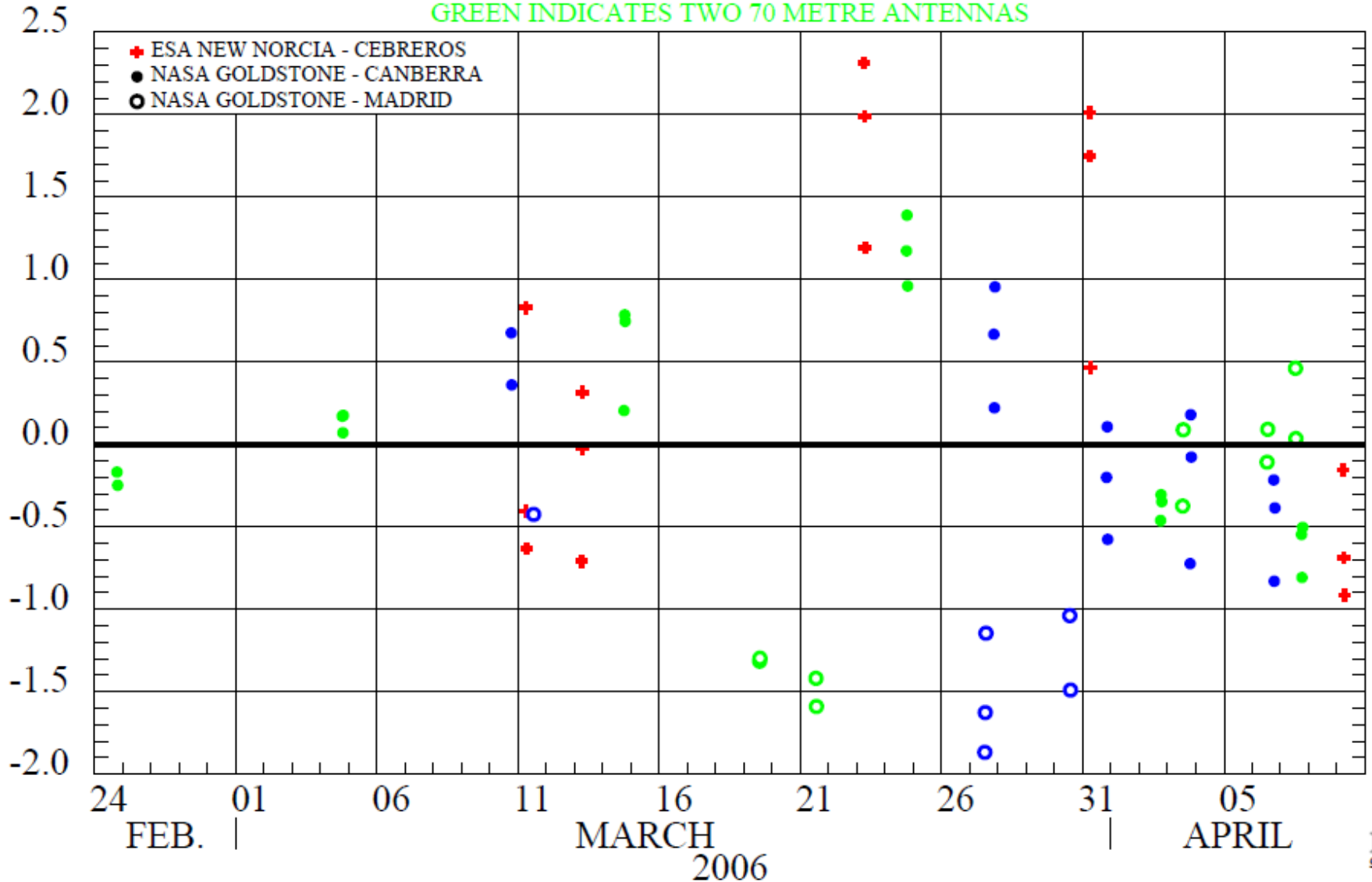


3. Performance: VEX Orbit Insertion (2006)

VENUS EXPRESS DELTA-DOR RESIDUALS

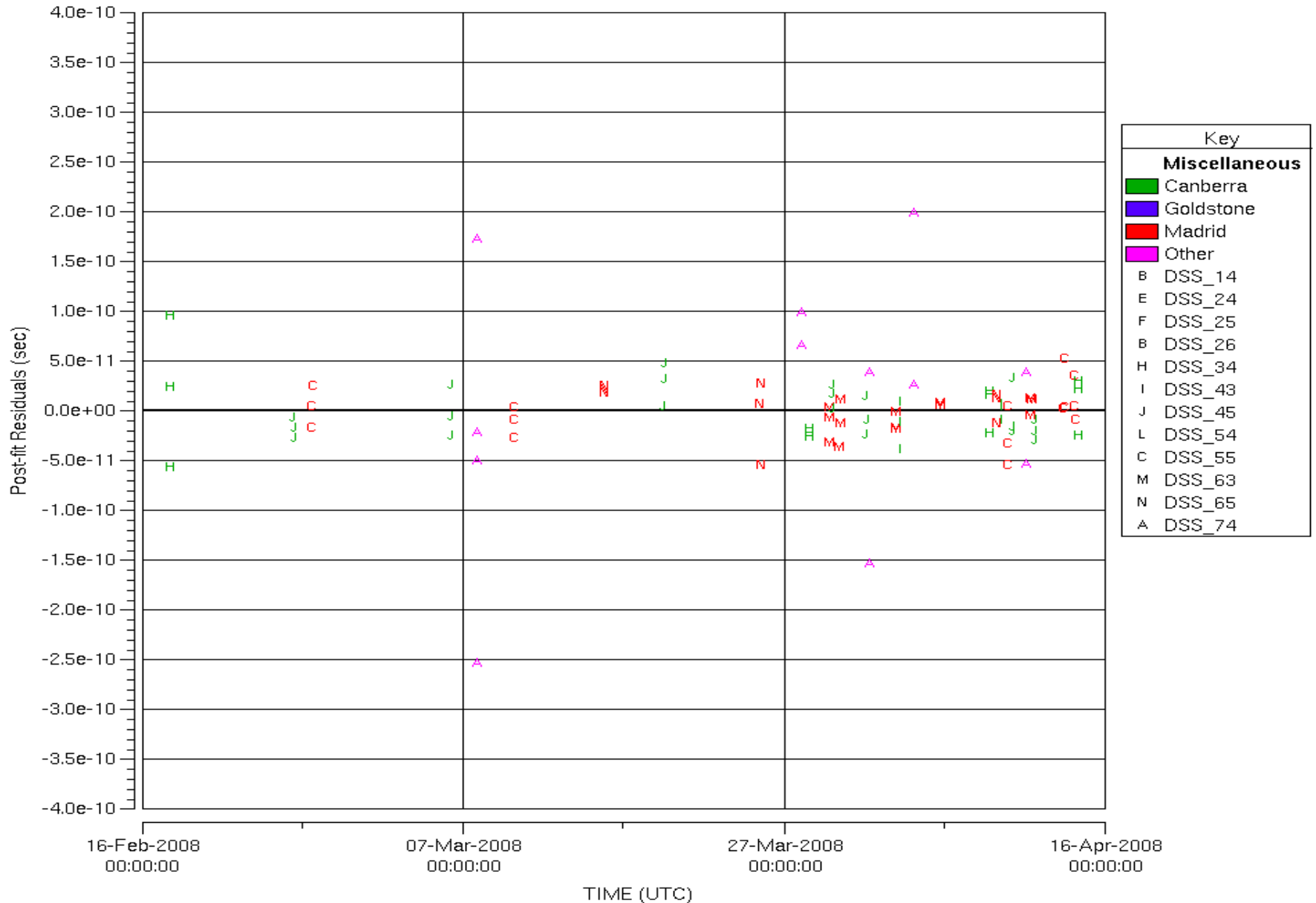
GREEN INDICATES TWO 70 METRE ANTENNAS

DELTA-DOR RESIDUALS - NANoseconds



3. Performance: Phoenix ESA-NASA operability (2008)

postfit.boa (show: cut this session)
N=90 M=1.37505e-12 RMS=5.05364e-11 SD=5.05177e-11 Min=-2.5298e-10 Max=1.99529e-10



4. Conclusions

- ESA S/W Δ DOR Correlator meets the CCSDS recommendations
- ESA S/W Δ DOR Correlator is able to correlate data acquired at ESA deep space ground stations in wideband configuration, increasing remarkably the measurement accuracy (as proved in the Juno test).
- ESA Δ DOR SW Correlator can correlate data at very low SNR (ESA requirements: up to 13dBHz/1dBHz, but the capability allows to correlate data up to few dBHz)
- The ESA-NASA JUNO test demonstrated the full integration of ESA Δ DOR system in a cross-agency operability scenario.