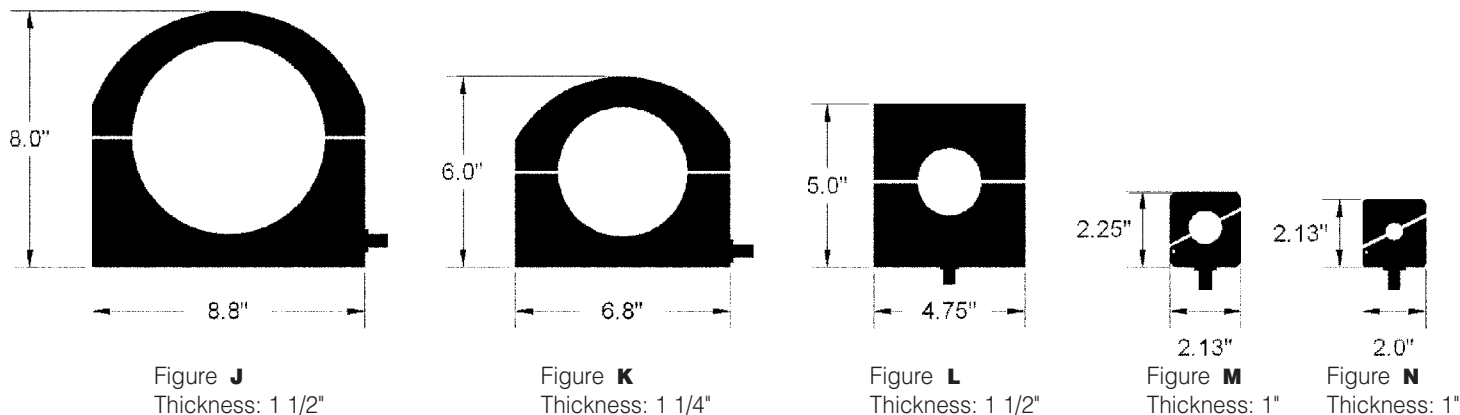


PEARSON ELECTRONICS, INC.

Clamp-on Current Monitors



CLAMP-ON CURRENT MONITORS

Accuracy $\pm 1\%$ or better, initial pulse response for all models, with a high impedance load such as 1 megaohm in parallel with 20 pF. A 50 ohm termination will reduce the output to half. All models listed below come with a BNC connector except as noted and are to be used with a 50 ohm coaxial cable. The current monitor case is conductive and not insulated. Adequate insulation must be provided on the conductor being monitored. To avoid electrical shock, do not mount or remove the current monitor from a live conductor. † Type N Connector.

Important Parameters:

Drop: For a flat top current pulse, the output voltage decays toward zero. Initially, the decay appears linear and the slope is referred to as the drop rate.
Usable Rise Time: If the 10 to 90% rise time is greater than the specified usable rise time, initial overshoot will be less than 10% of the pulse amplitude.

Model Number	Figure	Output (volts/amp)	Hole Dia. (inches)	TIME DOMAIN PARAMETERS				FREQUENCY DOMAIN PARAMETERS				
				Maximum Peak Curr. (amps)	Drop (%/microsec.)	Useable Rise Time (nanosec.)	IT Max. (amp-sec.)	Maximum RMS Curr. (amps.)	3db pt. Low (Hz)	3db pt. High (MHz)	I/f (rms/Hz)	I ² t calc (amps ² -sec)
8585C	N	1.0	0.5	500	1.0	2	0.003	5	1,500	200	0.01	5
4100C	N	1.0	0.5	500	1.0	15	0.0015	5	1,500	25	0.008	150
7790	M	1.0	1.0	500	1.0	15	0.002	5	1,500	25	0.01	150
4688	L	1.0	2.0	500	0.4	12	0.005	15	600	30	0.03	150
7805	K	1.0	4.0	500	0.7	25	0.004	15	1,000	25	0.02	150
7760	J	1.0	6.0	500	0.5	50	0.005	20	750	7.0	0.03	350
5101	L	0.5	2.0	1,000	0.1	20	0.02	25	150	18	0.08	700
5949†	K	0.5	4.0	1,000	0.1	30	0.02	30	150	12	0.08	700
411C	N	0.1	0.5	5,000	0.015	20	0.15	50	25	20	0.7	18,000
7795	M	0.1	1.0	5,000	0.015	25	0.15	60	25	15	0.8	18,000
3525	L	0.1	2.0	5,000	0.004	25	0.5	100	6.0	15	2.5	18,000
7810	K	0.1	4.0	5,000	0.007	50	0.4	150	10	7.0	2.0	18,000
7655	J	0.1	6.0	5,000	0.007	100	0.4	175	10	4.0	2.0	35,000
5008C	N	0.01	0.5	50,000	0.005	150	1.0	150	7.5	3.0	4.2	250,000
7800	M	0.01	1.0	50,000	0.003	175	0.8	125	5.0	2.0	4.0	140,000
4160	L	0.01	2.0	50,000	0.001	200	2.5	300	1.5	2.0	15.0	1,000,000
7815	K	0.01	4.0	50,000	0.001	200	3.0	400	1.5	2.0	15.0	2,000,000
7450	J	0.01	6.0	50,000	0.001	250	3.0	400	1.5	1.5	12	2,000,000
5664	L	0.001	2.0	200,000	0.00025	250	8.0	500	0.4	1.5	35	1,000,000



PEARSON ELECTRONICS, INC.

4009 Transport Street, Palo Alto, California 94303 U.S.A.

Telephone 650-494-6444 • FAX 650-494-6716 • Web site: www.pearsonelectronics.com