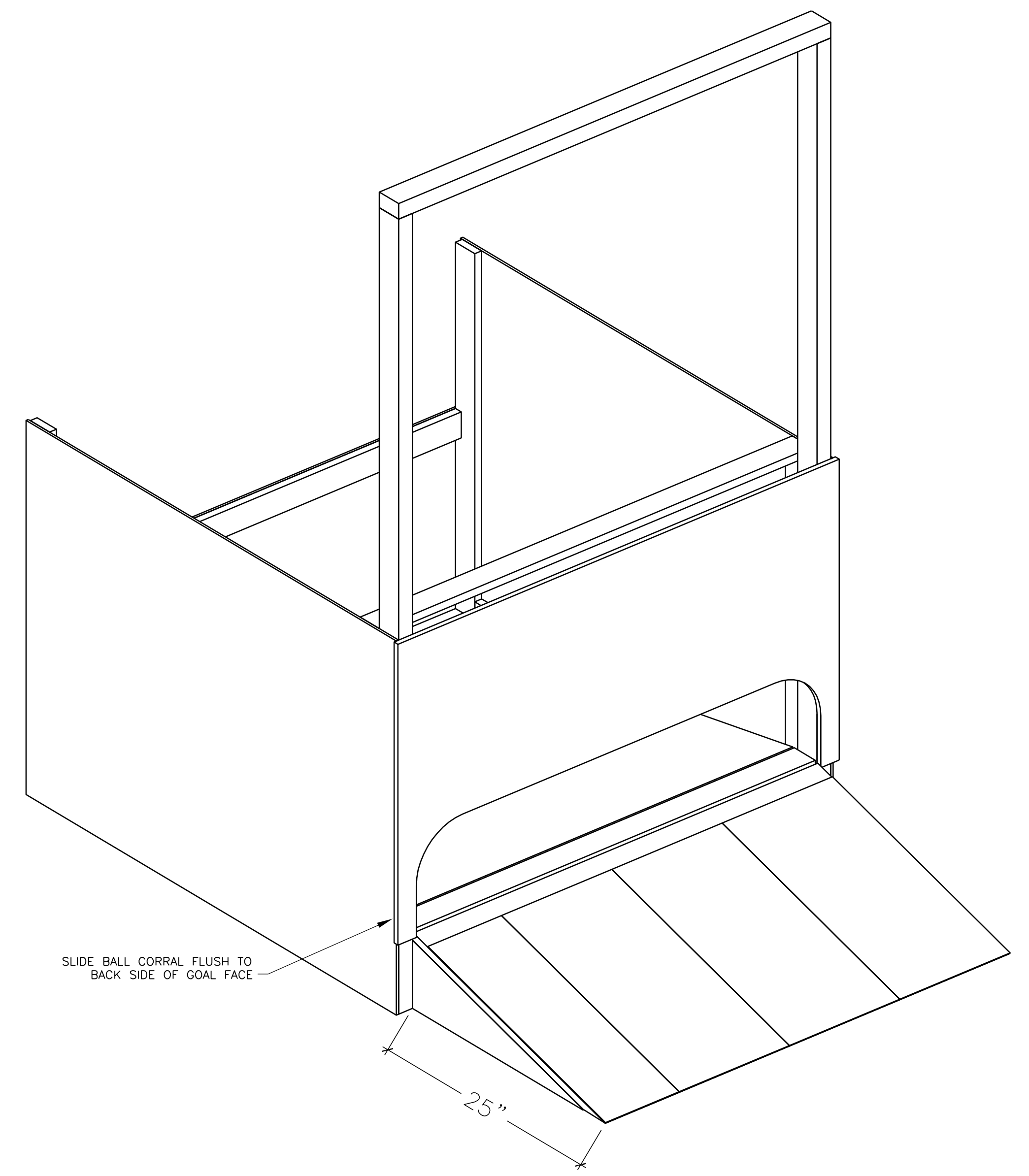
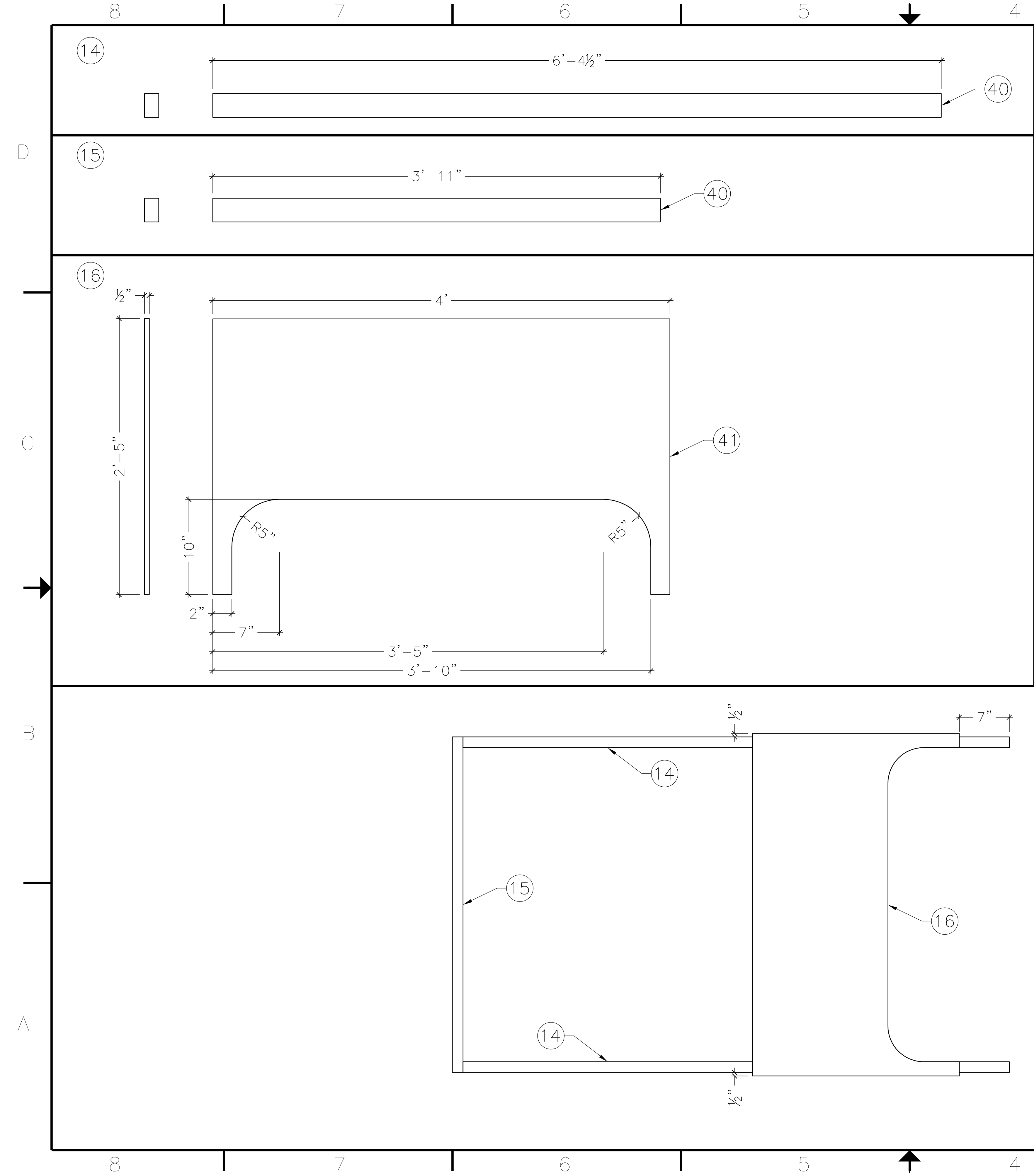


REVISIONS				
ZONE	REV	DESCRIPTION	DATE	APPROVED
	1	ADDED 10" DIMENSION, ITEMS 16.	12/12/05	
	2	REVISED ASSEMBLY VIEW	01/03/06	

ITEM	QTY.	DESCRIPTION	LENGTH	PART NO.
14	2	SIDE COLUMN	.	2F-200-14
15	1	CROSS MEMBER	.	2F-200-15
16	1	GOAL FACE	.	2F-200-16
40	AR	2"x3" SPF STUD	.	.
41	AR	1/2" PLYWOOD SHEET	.	.



2 FIELD		JR	01/06	FIRST 200 Bedford Street, Manchester, N.H. 03101 (603) 666-3906 • FAX (603) 666-3907	MATERIAL AS NOTED
1 FIELD		JR	12/12		
REV.	FROM	BY	DATE	TITLE 2006 TFE CORNER GOAL FABRICATION AND ASSEMBLY	
UNLESS OTHERWISE SPECIFIED				DRAWN BY JRR	DATE 12/08/05
TOLERANCE PERPENDICULAR WITHIN				SCALE NA	CHECKED DATE
FRAC. 1/32				SURFACE FINISH	SHEET NO. 3 of 3
.000				SIZE D	No. 2F-T100
.000					